



IB RUBINETTI

Collection

BELMONDO

Article

BL392

Description

Three holes washbasin

Box Dimensions

370 x 270 x 80 mm

Weight

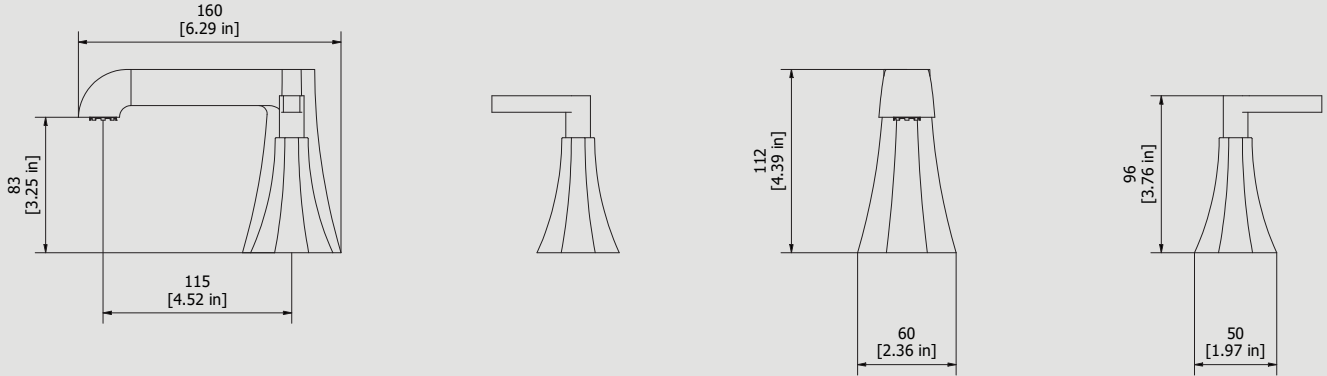
4.3 kg

Finishes

- **CC** CHROME
- **CF** BLACK CHROME
- **OO** GOLD
- **BB** ANTIQUE BRONZE
- **SS** BRUSHED NICKEL
- **CS** BRUSHED BLACK CHROME
- **BO** MATT WHITE
- **ONP** MATT BLACK
- **IS** BRUSHED PALE GOLD
- **OS** BRUSHED GOLD
- **II** PALE GOLD
- **RR** ANTIQUE COPPER
- **RS** ROSE GOLD
- **ON** NATURAL BRASS
- **SR** BRUSHED ROSE GOLD
- **PL** PLATINUM
- **MB** MODERN BRONZE



Dimensions



Ceramic headwork

G1/2" ceramic headwork

Threaded fitting

G1/2" male

Aerator

M16.5x1

Flow Rate (+/-10%)

1 BAR	2 BAR	3 BAR
3.5 l/min	4 l/min	4 l/min

Production

Main body is a single casted pieces

Material

BRASS
According to CuZn35Pb2AL-B (CB752S)
Max Lead content: 1.36%

IB RUBINETTERIE s.p.a
via dei Pianotti 3/5
25068 Sarezzo (BS) - Italy -

T. +39 030 802101
F. +39 030 803097
info@ibrubinetterie.it

P.IVA 01785230986
capitale sociale
€420.000,00 i.v.

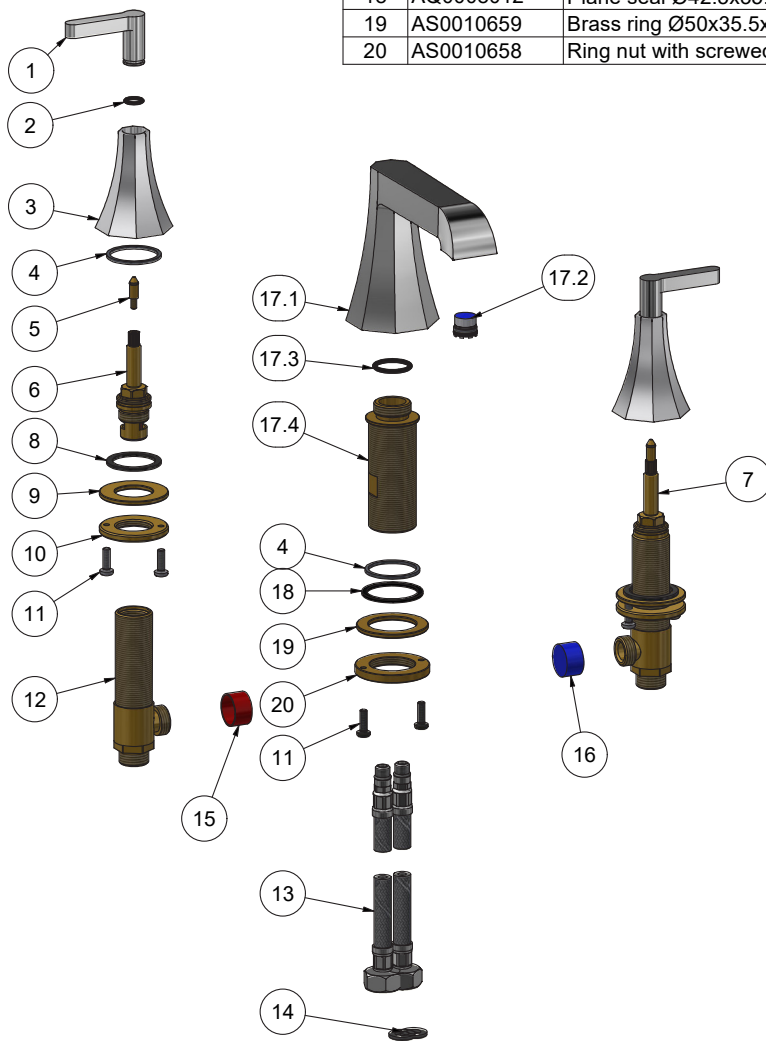
WWW.IBRUBINETTI.IT





IB RUBINETTI

Parts list				
ITEMS	CODE	DESCRIPTION	FIN	QTÀ
1	CC0002160	Lever	F	2
2	AQ0010153	OR 10x2 NBR 70 SH	-	2
3	CC0002162	Octagonal bell H70	F	2
4	AQ0010274	Rubber packing Ø38x33.5x2	-	3
5	AQ0010617	Click connection for headworks with ring	-	2
6	AQ0010528	Ceramic headwork 90° DX H38.5 8x20	-	1
7	AQ0010529	Ceramic headwork 90° SX H38.5 8x20	-	1
8	AQ0009716	Rubber packing 38x30x2	-	2
9	AS0010697	Washer Ø48 x Ø26.5 x3	G	2
10	AS0010698	Ring nut W26x19	G	2
11	AQ0010358	Inox screw M5x16 ISO 7045	-	6
12	AS0002250	Washbasin upright W26x19	G	2
13	AQ0015762	Inox hose DN8 M10x1 G1/2" L400 WRAS	-	2
14	AQ0003080	Rubber G1/2"	-	2
15	AQ0015328	Red plug G1/2"	-	1
16	AQ0015329	Blue plug G1/2"	-	1
17	CP1998CC-IS	Preassembled spout-out		1
17.1	CC0001998	Spout for basin with perlator	F	1
17.2	AQ0014147	Perlator PCA cachè laminar 1 GPM (44.3358.010)	-	1
17.3	AQ0008088	OR 22.23x2.62 NBR 70 SH	-	1
17.4	AS0010660	Stem M33x1.5 H91	G	1
18	AQ0008012	Plane seal Ø42.5x35.5x2	-	1
19	AS0010659	Brass ring Ø50x35.5x3	G	1
20	AS0010658	Ring nut with screwed holes Ø52 M33x1.5 H6	G	1





WARRANTY

All IB Rubinetterie SpA products are warranted for 10 years from the date of purchase, for the following cases:

- Defects of casting, porosity and chrome plating.
- Operating defects caused by incorrect fabrication.

The warranty provides for repair or replacement of products with fabrication defects recognized by our technical office. There is no other type of compensation anche the merchandise must be returned FOB our warehouse. The warranty only cover surface defects (scartches, dings, etc.) on fitting that have not been installed and used, returned in its original packaging with all components. O-ring, gasket seals and components subject to wear proportional to use are warranted for 2 years.

The warranty is void in the following cases:

Error installing and putting the product into service.

Deterioration of finished surfaces due to use of cleaning products containing acids or abrasive substances.

Deterioration of surface with finishes other than chrome plating. Their durability is, in fact, dependent on the user's care and gentleness of use.

Deterioration of the fitting due incorrect installation.

Improper repairs and maintenance performed without the company's prior authorization.

The warranty from IB Rubinetterie SpA is not renewable.

Cleaning

We recommanded cleaning the finish surfaces with water and soap, using a soft cloth.

Do not use detergents that cointain hydrochloric acid or abrasive substances.