



IB RUBINETTI

Collection

BELMONDO

Article

BL396

Description

Five holes deck mounted bath filler

Box Dimensions

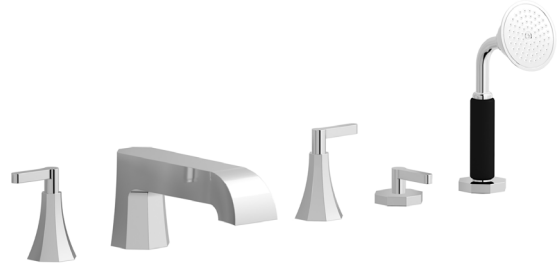
400x250x140 mm

Weight

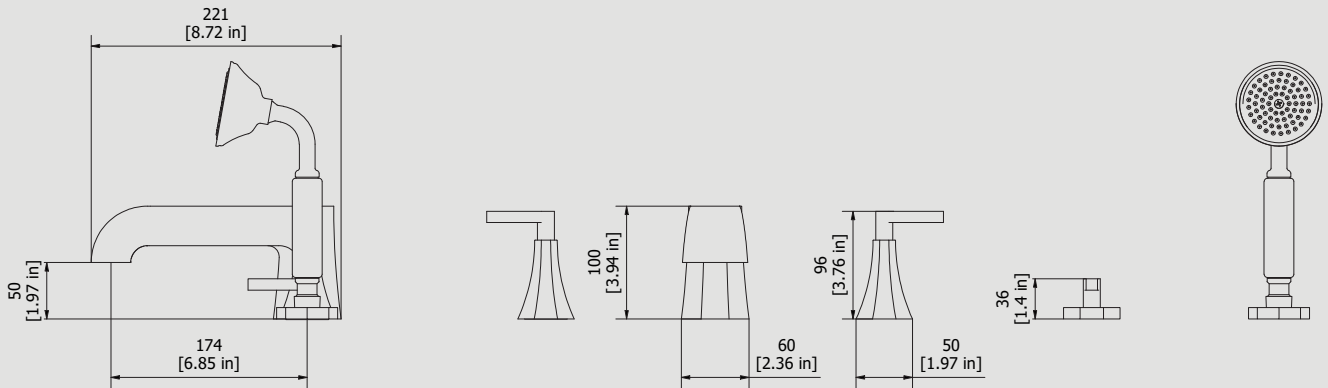
4.4 kg

Finishes

- **CC**
CHROME
- **CF**
BLACK CHROME
- **OO**
GOLD
- **BB**
ANTIQUE BRONZE
- **SS**
BRUSHED NICKEL
- **CS**
BRUSHED BLACK CHROME
- **BO**
MATT WHITE
- **ONP**
MATT BLACK
- **IS**
BRUSHED PALE GOLD
- **OS**
BRUSHED GOLD
- **II**
PALE GOLD
- **RR**
ANTIQUE COPPER
- **RS**
ROSE GOLD
- **ON**
NATURAL BRASS
- **SR**
BRUSHED ROSE GOLD
- **PL**
PLATINUM
- **MB**
MODERN BRONZE



Dimensions



Ceramic headwork

G1/2" ceramic headwork

Threaded fitting

G1/2" male

Aerator

Flow Rate (+/-10%)

1 BAR
19 l/min

2 BAR
27 l/min

3 BAR
33 l/min

Production

Main body is a single casted pieces

Material

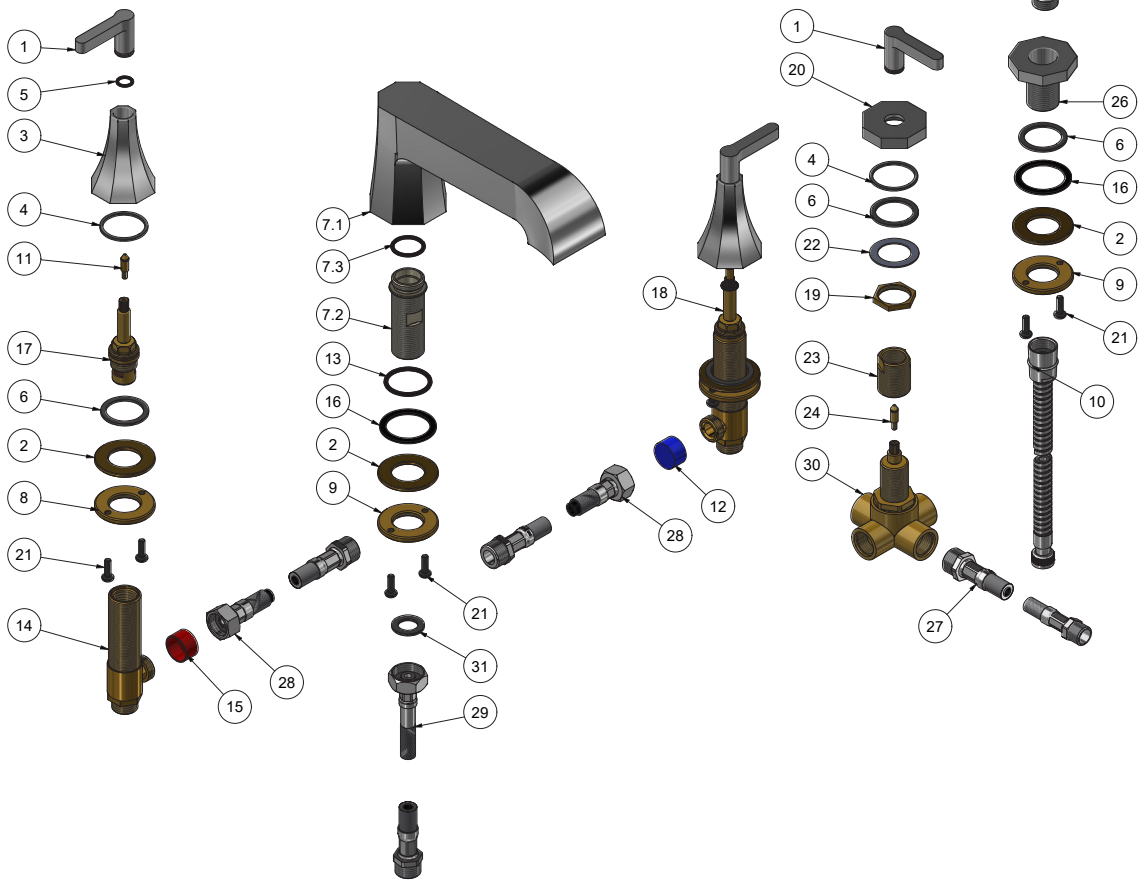
BRASS
According to CuZn35Pb2AL-B (CB752S)
Max Lead content: 1.36%





IB RUBINETTI

Parts list				
ITEMS	CODE	DESCRIPTION	FIN	QTA
1	CC0002160	Lever	F	3
2	AS0010697	Washer Ø48 x Ø26.5 x3	G	4
3	CC0002162	Octagonal bell H70	F	2
4	AQ0010274	Rubber packing Ø38x33.5x2	-	3
5	AQ0010153	OR 10x2 NBR 70 SH	-	2
6	AQ0009716	Rubber packing 38x30x2	-	4
7	CPKBL396CCX01	Preassembled five hole deck mounted bath filler	-	1
7.1	CC0001906	Spout-out	F	1
7.2	AN0010032	Stem 3/4" for bathside	N	1
7.3	AQ0008088	OR 22.23x2.62 NBR 70 SH	-	1
8	AS0010698	Ring nut W26x19	G	2
9	AS0012647	Ring nut G3/4"	G	2
10	AQ0017134	Flex G1/2"F cono G3/8"F L.150	-	1
11	AQ0010617	Click connection for headworks with ring	-	2
12	AQ0015329	Blue plug G1/2"	-	1
13	AQ0010221	OR 32x3 NBR 70 SH	-	1
14	AS0002250	Washbasin upright W26x19	G	2
15	AQ0015328	Red plug G1/2"	-	1
16	AQ0008013	Rubber packing 45x35x2	-	2
17	AQ0010529	Ceramic headwork 90° SX H38.5 8x20	-	1
18	AQ0010528	Ceramic headwork 90° DX H38.5 8x20	-	1
19	AS0002010	Clamping nut 26 x 19 H5 CH30	G	1
20	AC0010506	Octagonal base 50 H10	F	1
21	AQ0010358	Inox screw M5x16 ISO 7045	-	8
22	AQ0001650	Inox washer 39x26,5x1	-	1
23	AC0009191	Reduction 19x19 F 26x19 M H32	F	1
24	AQ0010617	Click connection for headworks	-	1
25	AQ0012007	Handshower	F	1
26	AC0016670	Handshower support	F	1
27	AQ0010653	Flex inox G3/8" M - G1/2" M L600	-	1
28	AQ0010652	Flex inox G1/2" M - G1/2" F L600	-	2
29	AQ0010654	Flex G3/4" F G1/2" M L600	-	1
30	AQ0010279	Diverter 2 in - 2 out complete short	G	1
31	AQ0001600	Gasket 24x16x2 G3/4"	-	1





WARRANTY

All IB Rubinetterie SpA products are warranted for 10 years from the date of purchase, for the following cases:

- Defects of casting, porosity and chrome plating.
- Operating defects caused by incorrect fabrication.

The warranty provides for repair or replacement of products with fabrication defects recognized by our technical office. There is no other type of compensation anche the merchandise must be returned FOB our warehouse. The warranty only cover surface defects (scartches, dings, etc.) on fitting that have not been installed and used, returned in its original packaging with all components. O-ring, gasket seals and components subject to wear proportional to use are warranted for 2 years.

The warranty is void in the following cases:

Error installing and putting the product into service.

Deterioration of finished surfaces due to use of cleaning products containing acids or abrasive substances.

Deterioration of surface with finishes other than chrome plating. Their durability is, in fact, dependent on the user's care and gentleness of use.

Deterioration of the fitting due incorrect installation.

Improper repairs and maintenance performed without the company's prior authorization.

The warranty from IB Rubinetterie SpA is not renewable.

Cleaning

We recommanded cleaning the finish surfaces with water and soap, using a soft cloth.

Do not use detergents that cointain hydrochloric acid or abrasive substances.