



WE ARE IB

Collection

BELMONDO

Article

BT320

Description

Wall mounted spout

Box Dimensions

210x130x70 mm

Weight

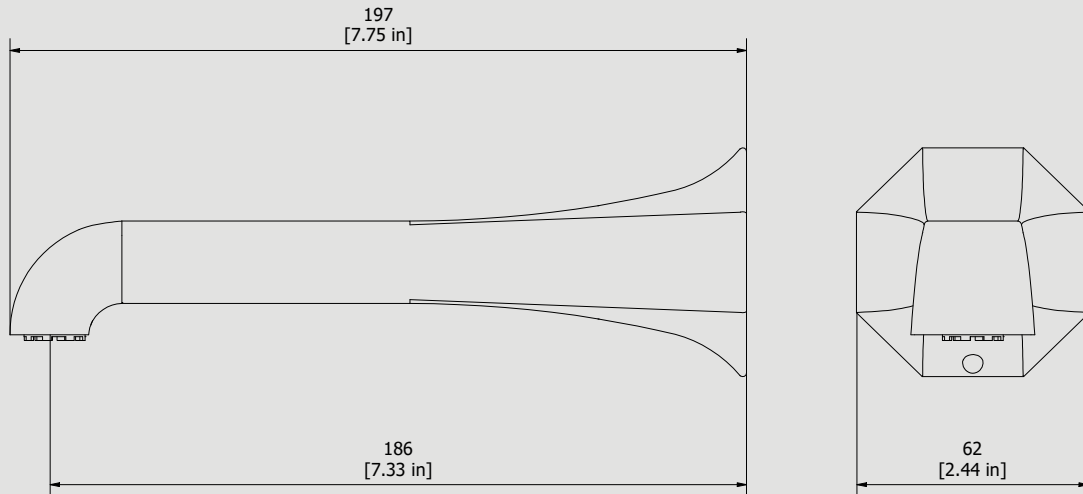
1.1 kg



Finishes

- **CC**
CHROME
- **CF**
BLACK CHROME
- **OO**
GOLD
- **BB**
ANTIQUÉ BRONZE
- **SS**
BRUSHED NICKEL
- **CS**
BRUSHED BLACK CHROME
- **BO**
MATT WHITE
- **ONP**
MATT BLACK
- **IS**
BRUSHED PALE GOLD
- **OS**
BRUSHED GOLD
- **II**
PALE GOLD
- **RR**
ANTIQUÉ COPPER
- **RS**
ROSE GOLD
- **ON**
NATURAL BRASS
- **SR**
BRUSHED ROSE GOLD
- **PL**
PLATINUM
- **MB**
MODERN BRONZE

Dimensions



Ceramic headwork

G1/2" ceramic headwork

Threaded fitting

G1/2" female

Aerator

Flow Rate (+/-10%)

1 BAR
2.4 l/min

2 BAR
3.7 l/min

3 BAR
3.7 l/min

Production

Main body is a single casted pieces

Material

BRASS
According to CuZn35Pb2AL-B (CB752S)
Max Lead content: 1.36%

IB RUBINETTERIE s.p.a
via dei Pianotti 3/5
25068 Sarezzo (BS) - Italy -

T. +39 030 802101
F. +39 030 803097
info@weareib.it

P.IVA 01785230986
capitale sociale
€420.000,00 i.v.

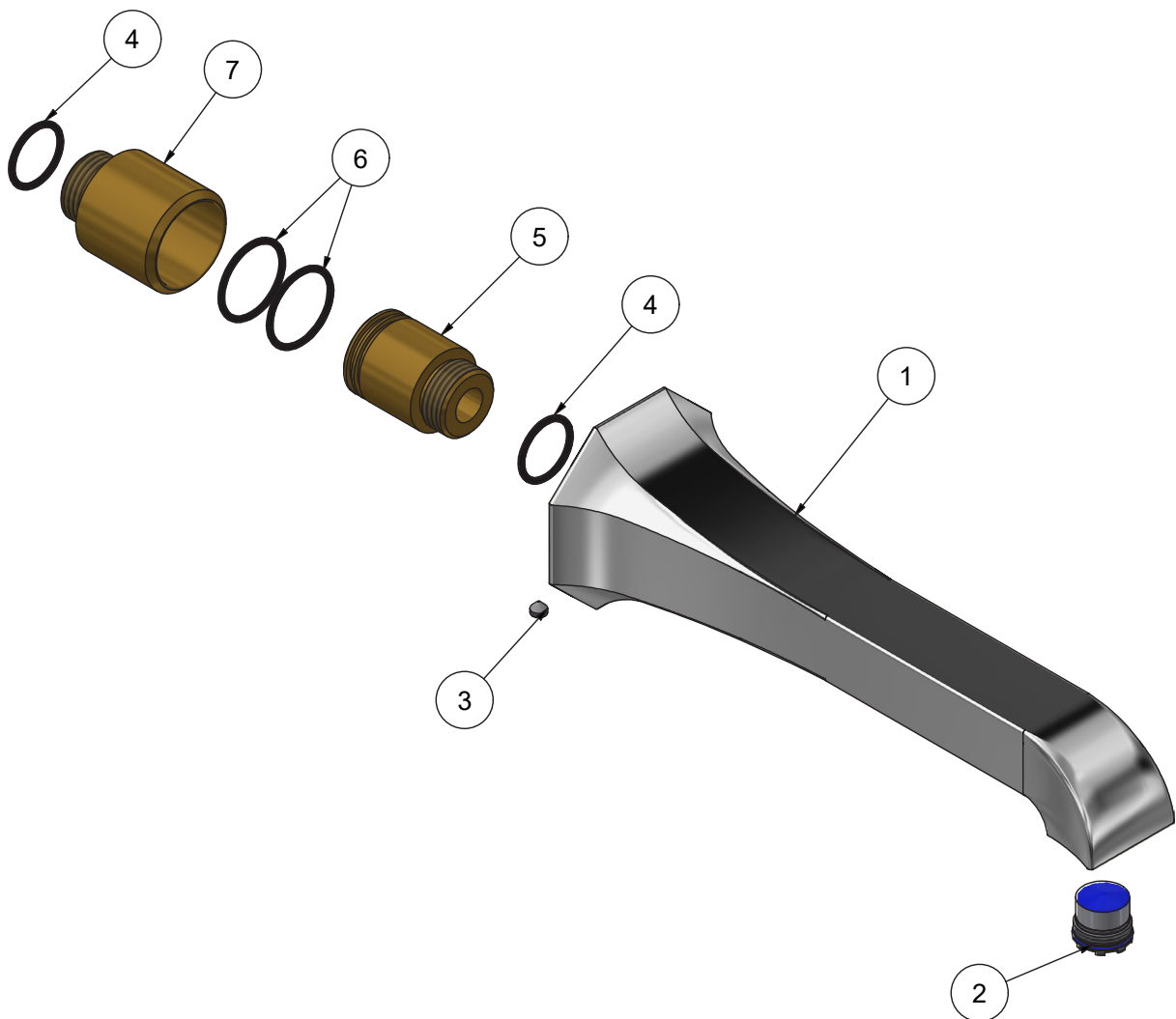
www.weareib.it





WE ARE **IB**

Parts list				
ITEMS	CODE	DESCRIPTION	FIN	QTÀ
1	CC0001938	Spout for recessed basin mixer L197	F	1
2	AQ0014147	Perlator PCA cachè laminar 1 GPM (44.3358.010)	-	1
3	AQ0010117	Grubscrew M5x4 cone point	-	1
4	AQ0004630	OR 17.16x1.78 NBR 70 SH	-	2
5	AS0010502	Insert Ø25.8 G1/2" L36.5	G	1
6	AQ0006637	OR 21.95x1.78 NBR 70 SH	-	2
7	AS0010503	Insert Ø31.5 H41	G	1





WE ARE IB

WARRANTY

All IB Rubinetterie SpA products are warranted for 10 years from the date of purchase, for the following cases:

- Defects of casting, porosity and chrome plating.
- Operating defects caused by incorrect fabrication.

The warranty provides for repair or replacement of products with fabrication defects recognized by our technical office. There is no other type of compensation anche the merchandise must be returned FOB our warehouse. The warranty only cover surface defects (scartches, dings, etc.) on fitting that have not been installed and used, returned in its original packaging with all components. O-ring, gasket seals and components subject to wear proportional to use are warranted for 2 years.

The warranty is void in the following cases:

Error installing and putting the product into service.

Deterioration of finished surfaces due to use of cleaning products containing acids or abrasive substances.

Deterioration of surface with finishes other than chrome plating. Their durability is, in fact, dependent on the user's care and gentleness of use.

Deterioration of the fitting due incorrect installation.

Improper repairs and maintenance performed without the company's prior authorization.

The warranty from IB Rubinetterie SpA is not renewable.

Cleaning

We recommanded cleaning the finish surfaces with water and soap, using a soft cloth.

Do not use detergents that cointain hydrochloric acid or abrasive substances.