



WE ARE IB

Collection

**C-67**

Article

**C6200**

Description

**Monohole washbasin mixer.**



Box Dimensions

**340x180x70 mm**

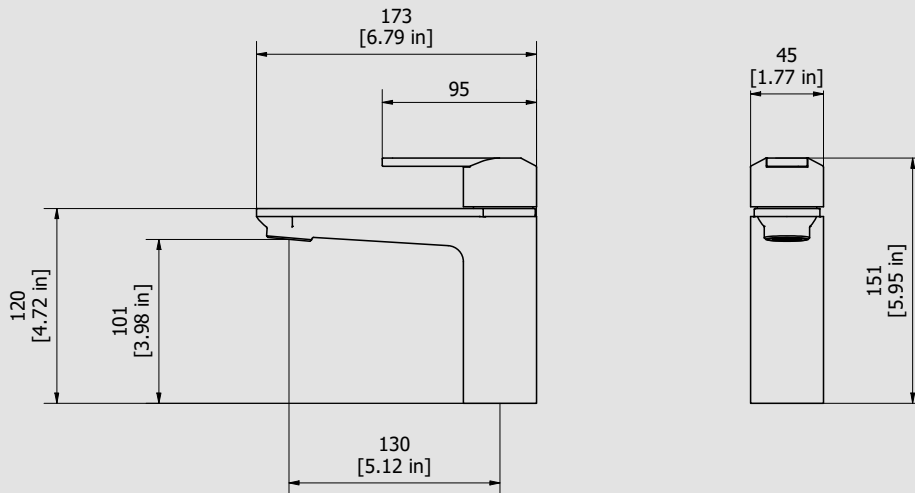
Weight

**1.6 kg**

Finishes

- **CC**  
CHROME
- **PL**  
PLATINUM
- **SS**  
BRUSHED  
NICKEL
- **ON**  
NATURAL  
BRASS
- **BO**  
MATT  
WHITE
- **NP**  
MATT  
BLACK
- **CF**  
BLACK  
CHROME
- **CS**  
BRUSHED  
BLACK  
CHROME
- **II**  
PALE  
GOLD
- **IS**  
BRUSHED  
PALE GOLD
- **RS**  
ROSE  
GOLD
- **SR**  
BRUSHED  
ROSE GOLD
- **OO**  
GOLD
- **OS**  
BRUSHED  
GOLD
- **RR**  
ANTIQUÉ  
COPPER
- **MB**  
MODERN  
BRONZE

Dimensions



Cartridge

**Ø25 ceramic cartridge**

Threaded fitting

**Inox hoses G3\8" female 400 mms long**

Aerator

**M24x1**

Flow Rate (+/-10%)

1 BAR	2 BAR	3 BAR
3 l\m	3.8 l\m	3.8 l\m

Production

**Main body is a single casted pieces**

Material

**BRASS**  
According to CuZn42 (CW510L)  
Max Lead content: 0.2%

IB RUBINETTERIE s.p.a  
via dei Pianotti 3/5  
25068 Sarezzo (BS) - Italy -

T. +39 030 802101  
F. +39 030 803097  
info@weareib.it

P.IVA 01785230986  
capitale sociale  
€420.000,00 i.v.

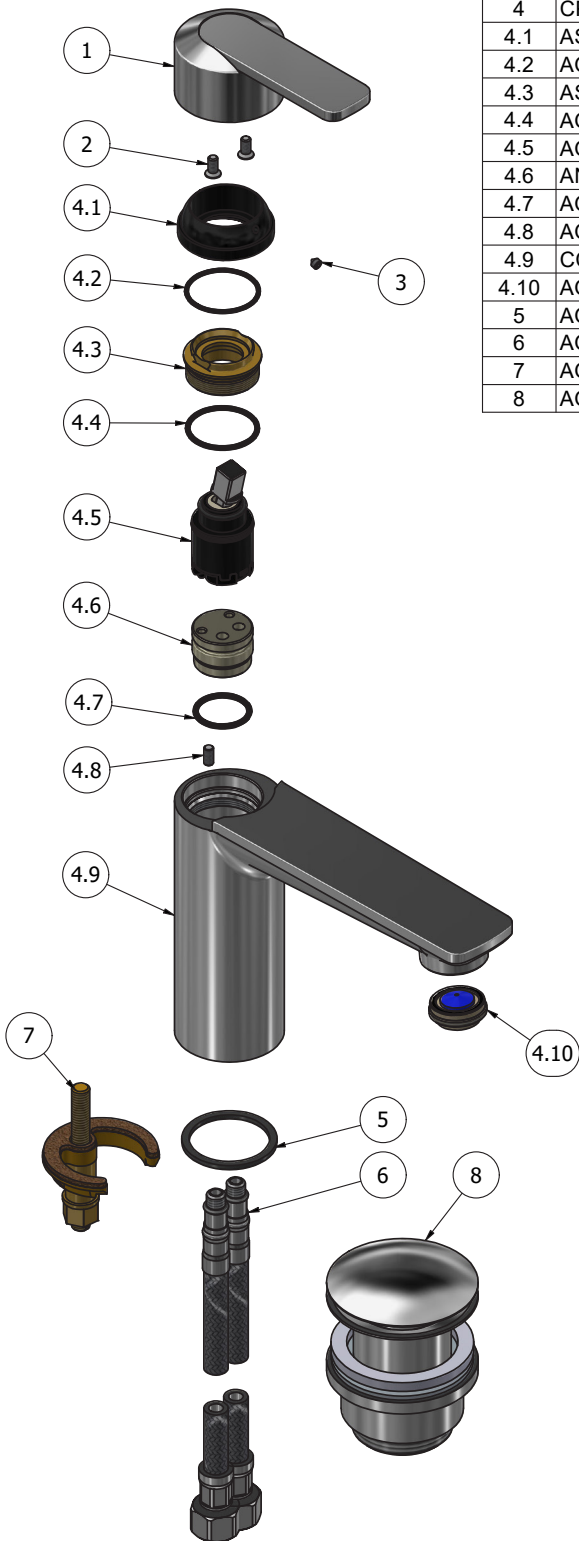
[www.weareib.it](http://www.weareib.it)





WE ARE IB

Parts list				
ITEMS	CODE	DESCRIPTION	FIN	QTÀ
1	AQ0018449	Handle Ø45 H30 12.5° 9x9 25x85	F	1
2	AQ0010280	Inox screw M4X8,5	-	2
3	AQ0001082	Grubscrew M4x4 cone point	-	1
4	CPC6200CCN_1	Pre-assembled sink	F	1
4.1	AS0018567	Cover nut Ø39.5 Ø32 H17.5	G	1
4.2	AQ0008091	OR 28x1.5 NBR 70 SH	-	1
4.3	AS0011353	Cartridge fixing nut M30x1 H14.35	G	1
4.4	AQ0010564	OR 26.7x1.78 NBR 70 SH	-	1
4.5	AQ0018566	Cartridge Ø25 open 9x9 (KH25OP)	-	1
4.6	AN0011859	Connection piece Ø24.9x17.5	N	1
4.7	AQ0013635	OR 20x2 NBR 70 SH	-	1
4.8	AQ0006921	Grubscrew M4x8 flat point	-	1
4.9	CC0002019	Mixer body Ø45 H120 L173	F	1
4.10	AQ0017343	Perlator slim M24x1 1 GPM (40.8358.01)	-	1
5	AQ0010307	Rubber packing Ø39 Ø33 H2	-	1
6	AQ0011013	Flex inox M8x1 G3/8" L450	-	2
7	AQ0013420	Fixing set	-	1
8	AQ0009837	Simple rapid waste 1"1/4	F	1





WE ARE IB

### WARRANTY

All IB Rubinetterie SpA products are warranted for 10 years from the date of purchase, for the following cases:

- Defects of casting, porosity and chrome plating.
- Operating defects caused by incorrect fabrication.

The warranty provides for repair or replacement of products with fabrication defects recognized by our technical office. There is no other type of compensation anche the merchandise must be returned FOB our warehouse. The warranty only cover surface defects (scartches, dings, etc.) on fitting that have not been installed and used, returned in its original packaging with all components. O-ring, gasket seals and components subject to wear proportional to use are warranted for 2 years.

#### **The warranty is void in the following cases:**

Error installing and putting the product into service.

Deterioration of finished surfaces due to use of cleaning products containing acids or abrasive substances.

Deterioration of surface with finishes other than chrome plating. Their durability is, in fact, dependent on the user's care and gentleness of use.

Deterioration of the fitting due incorrect installation.

Improper repairs and maintenance performed without the company's prior authorization.

The warranty from IB Rubinetterie SpA is not renewable.

#### **Cleaning**

We recommended cleaning the finish surfaces with water and soap, using a soft cloth.

Do not use detergents that cointain hydrochloric acid or abrasive substances.