



WE ARE IB

Collection

C-67

Article

C6202

Description

Tall monohole washbasin mixer.



Box Dimensions

425x188x98 mm

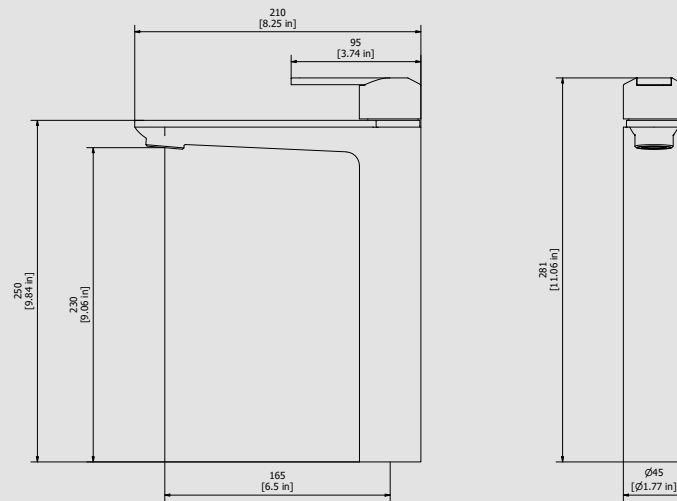
Weight

2.3 kg

Finishes

- **CC**
CHROME
- **PL**
PLATINUM
- **SS**
BRUSHED
NICKEL
- **ON**
NATURAL
BRASS
- **BO**
MATT
WHITE
- **NP**
MATT
BLACK
- **CF**
BLACK
CHROME
- **CS**
BRUSHED
BLACK
CHROME
- **II**
PALE
GOLD
- **IS**
BRUSHED
PALE GOLD
- **RS**
ROSE
GOLD
- **SR**
BRUSHED
ROSE GOLD
- **OO**
GOLD
- **OS**
BRUSHED
GOLD
- **RR**
ANTIQUÉ
COPPER
- **MB**
MODERN
BRONZE

Dimensions



Cartridge

Ø25 ceramic cartridge

Threaded fitting

Inox hoses G3\8" female 400 mms long

Aerator

M24x1

Flow Rate (+/-10%)

1 BAR	2 BAR	3 BAR
3 l\m	3.8 l\m	3.8 l\m

Production

Main body is a machined from a solid pieces

Material

BRASS
According to CuZn42 (CW510L)
Max Lead content: 0.2%

IB RUBINETTERIE s.p.a
via dei Pianotti 3/5
25068 Sarezzo (BS) - Italy -

T. +39 030 802101
F. +39 030 803097
info@weareib.it

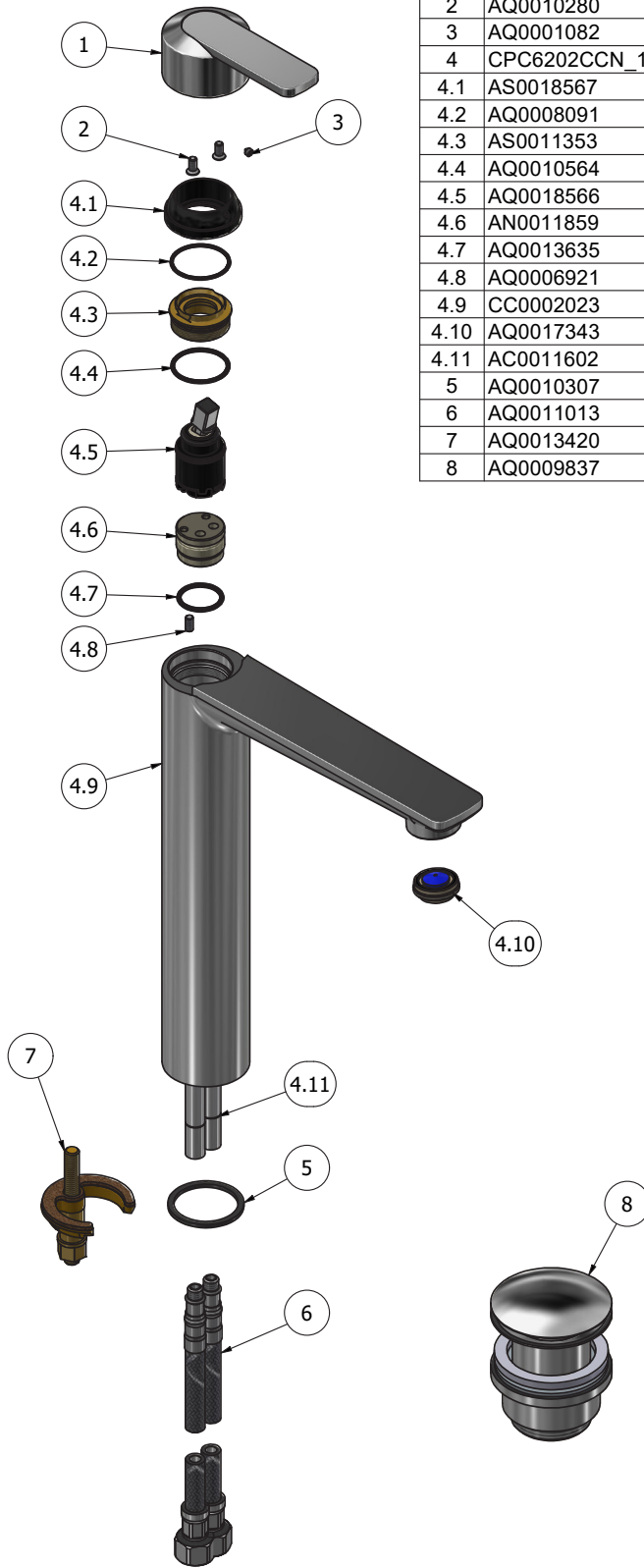
P.IVA 01785230986
capitale sociale
€420.000,00 i.v.

www.weareib.it





WE ARE IB



Parts list				
ITEMS	CODE	DESCRIPTION	FIN	QTÀ
1	AQ0018449	Handle Ø45 H30 12.5° 9x9 25x85	F	1
2	AQ0010280	Inox screw M4X8,5	-	2
3	AQ0001082	Grubscrew M4x4 cone point	-	1
4	CPC6202CCN_1	Pre-assembled high washbasin	F	1
4.1	AS0018567	Cover nut Ø39.5 Ø32 H17.5	G	1
4.2	AQ0008091	OR 28x1.5 NBR 70 SH	-	1
4.3	AS0011353	Cartridge fixing nut M30x1 H14.35	G	1
4.4	AQ0010564	OR 26.7x1.78 NBR 70 SH	-	1
4.5	AQ0018566	Cartridge Ø25 open 9x9 (KH25OP)	-	1
4.6	AN0011859	Connection piece Ø24.9X17.5	N	1
4.7	AQ0013635	OR 20x2 NBR 70 SH	-	1
4.8	AQ0006921	Grubscrew M4x8 flat point	-	1
4.9	CC0002023	Mixer body Ø45 H250 L209.5	F	1
4.10	AQ0017343	Perlator slim M24x1 1 GPM (40.8358.01)	-	1
4.11	AC0011602	Extension pipe Ø10 M8x1 M M8x1 F L220	-	2
5	AQ0010307	Rubber packing Ø39 Ø33 H2	-	1
6	AQ0011013	Flex inox M8x1 G3/8" L450	-	2
7	AQ0013420	Fixing set	-	1
8	AQ0009837	Simple rapid waste 1"1/4	F	1



WE ARE IB

WARRANTY

All IB Rubinetterie SpA products are warranted for 10 years from the date of purchase, for the following cases:

- Defects of casting, porosity and chrome plating.
- Operating defects caused by incorrect fabrication.

The warranty provides for repair or replacement of products with fabrication defects recognized by our technical office. There is no other type of compensation anche the merchandise must be returned FOB our warehouse. The warranty only cover surface defects (scartches, dings, etc.) on fitting that have not been installed and used, returned in its original packaging with all components. O-ring, gasket seals and components subject to wear proportional to use are warranted for 2 years.

The warranty is void in the following cases:

Error installing and putting the product into service.

Deterioration of finished surfaces due to use of cleaning products containing acids or abrasive substances.

Deterioration of surface with finishes other than chrome plating. Their durability is, in fact, dependent on the user's care and gentleness of use.

Deterioration of the fitting due incorrect installation.

Improper repairs and maintenance performed without the company's prior authorization.

The warranty from IB Rubinetterie SpA is not renewable.

Cleaning

We recommended cleaning the finish surfaces with water and soap, using a soft cloth.

Do not use detergents that cointain hydrochloric acid or abrasive substances.