



WE ARE IB

Collection

C-67

Article

C6305

Description

Exposed parts for manual wall mixer

Built-in body to be purchased separately INC300+INC406

Box Dimensions

150x190x98 mm

Weight

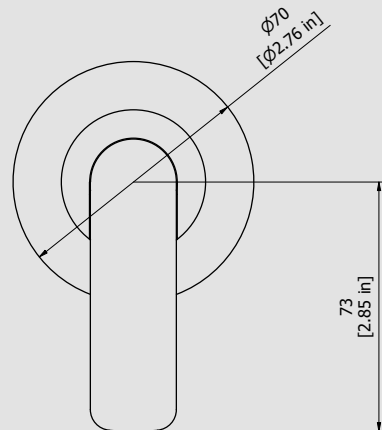
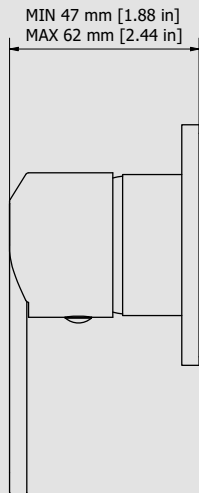
1.2 kg

Finishes

- **CC**
CHROME
- **PL**
PLATINUM
- **SS**
BRUSHED
NICKEL
- **ON**
NATURAL
BRASS
- **BO**
MATT
WHITE
- **NP**
MATT
BLACK
- **CF**
BLACK
CHROME
- **CS**
BRUSHED
BLACK
CHROME
- **II**
PALE
GOLD
- **IS**
BRUSHED
PALE GOLD
- **RS**
ROSE
GOLD
- **SR**
BRUSHED
ROSE GOLD
- **OO**
GOLD
- **OS**
BRUSHED
GOLD
- **RR**
ANTIQUÉ
COPPER
- **MB**
MODERN
BRONZE



Dimensions



Cartridge

Ø35 ceramic cartridge

Threaded fitting

Aerator

Flow Rate (+/-10%)

1 BAR	2 BAR	3 BAR
11.5 l/m	16.3 l/m	20 l/m

Production

Main body is a machined from a solid pieces

Material

BRASS
According to CuZn39PB3 (CW614N)
Max Lead content: 2.5%

IB RUBINETTERIE s.p.a
via dei Pianotti 3/5
25068 Sarezzo (BS) - Italy -

T. +39 030 802101
F. +39 030 803097
info@weareib.it

P.IVA 01785230986
capitale sociale
€420.000,00 i.v.

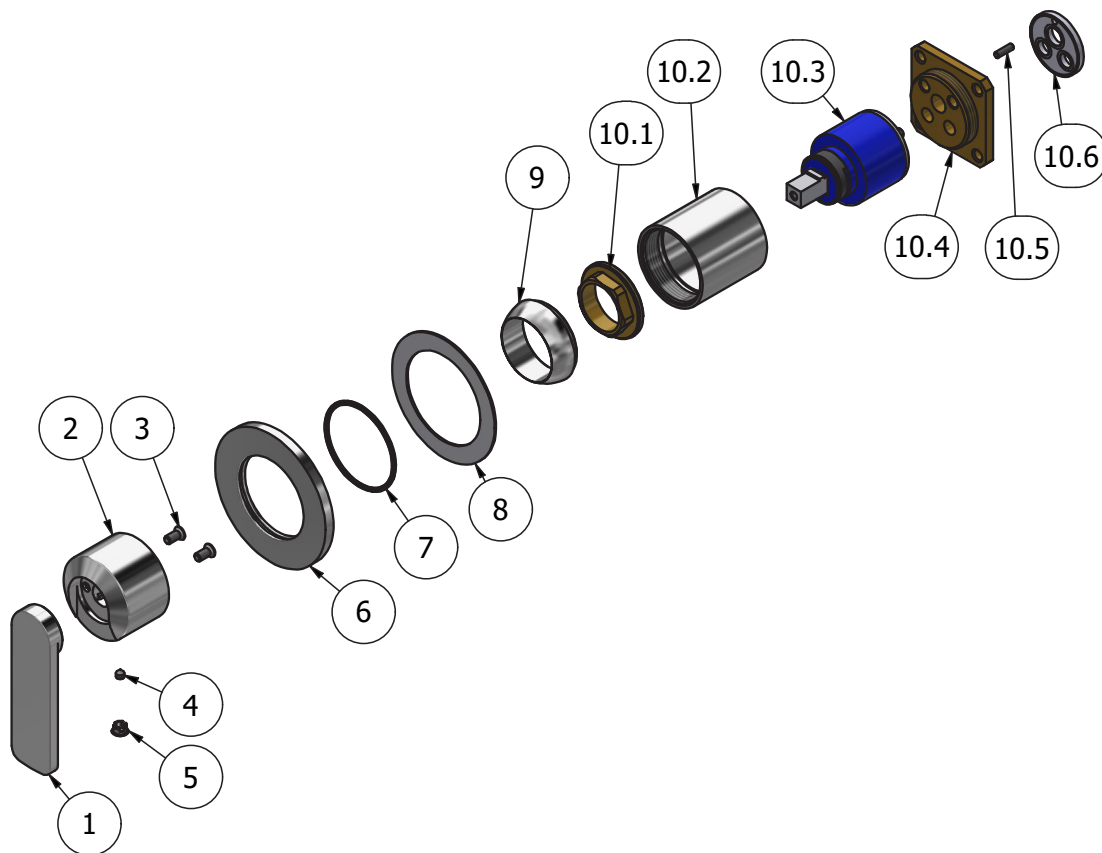
www.weareib.it





WE ARE IB

Parts list				
ITEMS	CODE	DESCRIPTION	FIN	QTÀ
1	AQ0018449_2	handle Ø25 25x85 H5	F	1
2	AC0018441	Handle Ø42 H30 9x9	F	1
3	AQ0010280	Inox screw M4X8,5	-	2
4	AQ0001082	Grubscrew M4x4 cone point	-	1
5	AQ0006650	Plug cover Ø7	F	1
6	AC0018063	Rosette Ø70 Ø41.5 H5	F	1
7	AQ0001440	OR 41x1.78 NBR 70 SH	-	1
8	AQ0018597	Rubber packing double-sided tape Ø65xØ47x1	-	1
9	AQ0003630	Cartridge ring nut cover M37x1.5	F	1
10	CPIN206CC-19	Mixer 47x47 x recessed	-	1
10.1	AQ0001040	Cartridge ring nut M37x1.5 H9	G	1
10.2	AC0010445	Recessed ring Ø41 M37x1.5 H40.7	F	1
10.3	AQ0004095	Ceramic cartridge Ø35 9x9 (K35A)	-	1
10.4	AS0013040	Insert 47x47 H11 M37x1.5	G	1
10.5	AQ0015357	Grubscrew M3x10 flat point	-	1
10.6	AQ0015684	Gasket Ø31 H3.5 Ø7 Ø7.5	-	1





WE ARE IB

WARRANTY

All IB Rubinetterie SpA products are warranted for 10 years from the date of purchase, for the following cases:

- Defects of casting, porosity and chrome plating.
- Operating defects caused by incorrect fabrication.

The warranty provides for repair or replacement of products with fabrication defects recognized by our technical office. There is no other type of compensation anche the merchandise must be returned FOB our warehouse. The warranty only cover surface defects (scartches, dings, etc.) on fitting that have not been installed and used, returned in its original packaging with all components. O-ring, gasket seals and components subject to wear proportional to use are warranted for 2 years.

The warranty is void in the following cases:

Error installing and putting the product into service.

Deterioration of finished surfaces due to use of cleaning products containing acids or abrasive substances.

Deterioration of surface with finishes other than chrome plating. Their durability is, in fact, dependent on the user's care and gentleness of use.

Deterioration of the fitting due incorrect installation.

Improper repairs and maintenance performed without the company's prior authorization.

The warranty from IB Rubinetterie SpA is not renewable.

Cleaning

We recommended cleaning the finish surfaces with water and soap, using a soft cloth.

Do not use detergents that cointain hydrochloric acid or abrasive substances.