



WE ARE IB

Collection

C-67

Article

C6306

Description

Wall mounted widespread lavatory faucet.

Box Dimensions

370 x 270 x 80 mm

Weight

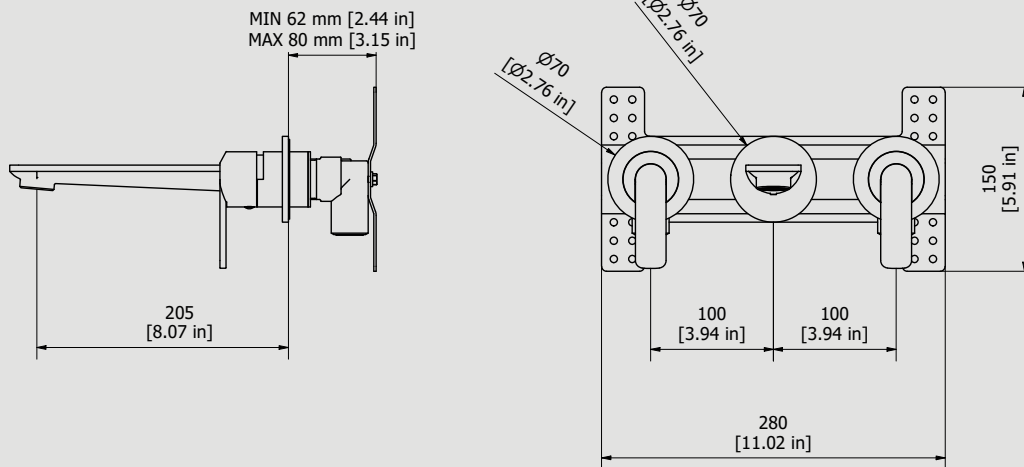
2.4 kg

Finishes

- **CC** CHROME
- **CF** BLACK CHROME
- **OO** GOLD
- **MB** MODERN BRONZE
- **SS** BRUSHED NICKEL
- **CS** BRUSHED BLACK CHROME
- **BO** MATT WHITE
- **NP** MATT BLACK
- **IS** BRUSHED PALE GOLD
- **OS** BRUSHED GOLD
- **II** PALE GOLD
- **RR** ANTIQUE COPPER
- **RS** ROSE GOLD
- **ON** NATURAL BRASS
- **SR** BRUSHED ROSE GOLD
- **PL** PLATINUM



Dimensions



Cartridge

G1/2" ceramic cartridge

Threaded fitting

G1/2" female

Aerator

M24x1

Flow Rate (+/-10%)

1 BAR	2 BAR	3 BAR
3.3 l/min	4 l/min	4 l/min

Production

Main body is a single casted pieces

Material

BRASS
According to CuZn35Pb2Al-B (CB752S)
Max Lead content: 1.36%

IB RUBINETTERIE s.p.a
via dei Pianotti 3/5
25068 Sarezzo (BS) - Italy -

T. +39 030 802101
F. +39 030 803097
info@weareib.it

P.IVA 01785230986
capitale sociale
€420.000,00 i.v.

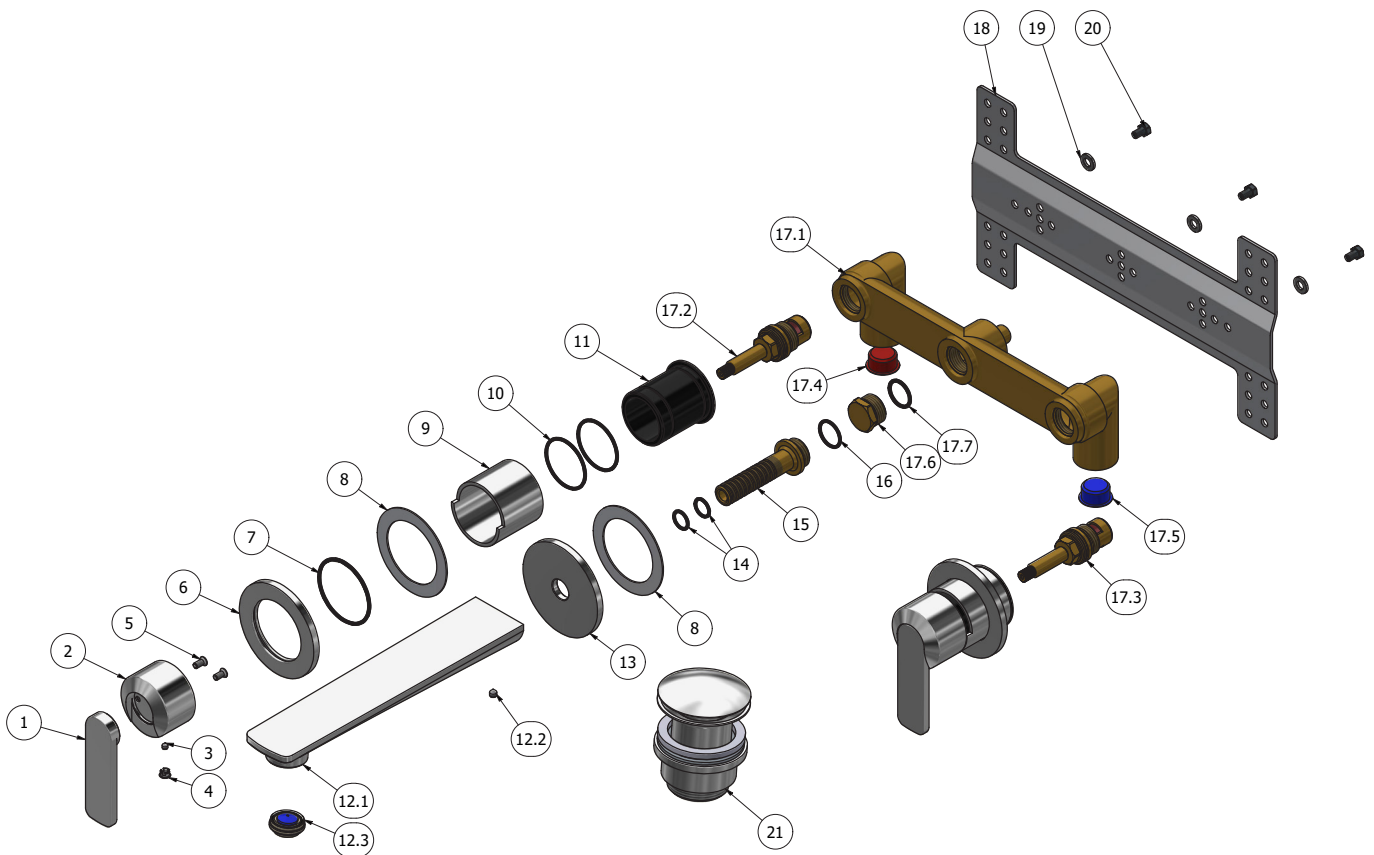
www.weareib.it





WE ARE IB

Parts list				
ITEMS	CODE	DESCRIPTION	FIN	QTA
1	AQ0018449 2	handle Ø25 25x85 H5	F	2
2	AC0018480	Handle Ø45 H30 broccia Z40 front hole	F	2
3	AQ0001082	Grubscrew M4x4 cone point	-	2
4	AQ0006650	Plug cover Ø7	F	2
5	AQ0010280	Inox screw M4x8,5	-	4
6	AC0018596	Rosette Ø70 Ø45.5 H5	F	2
7	AQ0013523	OR 45x2 NBR 70 SH	-	2
8	AQ0018597	Rubber packing double-sided tape Ø65xØ47x1	-	3
9	AC0018598	Ring Ø45 Ø40 H41,3	F	2
10	AQ0006497	OR 34.65x1.78 NBR 70 SH	-	4
11	AS0018599	Ring Ø45 Ø39.5 M24x1 H46	-	2
12	CP2026CCN 1	Pre-assembled mouth	F	1
12.1	CC0002026	Spout 45x23 L222	F	1
12.2	AQ0009729	Grubscrew M5x5 cone point	-	1
12.3	AQ0017343	Perlator slim M24x1 1 GPM (40.8358.01)	-	1
13	AC0018595	Rosette Ø70 Ø15 H5	F	1
14	AQ0001350	OR 11.11x1.78 NBR 70 SH	-	2
15	AS0018594	Insert G1/2" Ø14,5 H73	G	1
16	AQ0004630	OR 17.16x1.78 NBR 70 SH	-	1
17	CPB1306-1	Preassembled recessed body	-	1
17.1	CT0001905	Recessed body 3 hole Int. 200 G1/2"	G	1
17.2	AQ0010529	Ceramic headwork 90° SX H38.5 8x20	-	1
17.3	AQ0010528	Ceramic headwork 90° DX H38.5 8x20	-	1
17.4	AQ0014537	Red thread's protecting cap Ø19	-	1
17.5	AQ0014538	Blu thread's protecting cap Ø19	-	1
17.6	AQ0006680	Plug G1/2" M	G	1
17.7	AQ0009841	OR 17x2 NBR 70 SH	-	1
18	AQ0009362	Inox plate 280x150	-	1
19	AQ0004650	Washer Ø6 ISO 7089 140 HV	-	3
20	AQ0009429	Inox screw M5x8 DIN933	-	3
21	AQ0009837	Simple rapid waste 1"1/4	F	1





WE ARE IB

WARRANTY

All IB Rubinetterie SpA products are warranted for 10 years from the date of purchase, for the following cases:

- Defects of casting, porosity and chrome plating.
- Operating defects caused by incorrect fabrication.

The warranty provides for repair or replacement of products with fabrication defects recognized by our technical office. There is no other type of compensation anche the merchandise must be returned FOB our warehouse. The warranty only cover surface defects (scartches, dings, etc.) on fitting that have not been installed and used, returned in its original packaging with all components. O-ring, gasket seals and components subject to wear proportional to use are warranted for 2 years.

The warranty is void in the following cases:

Error installing and putting the product into service.

Deterioration of finished surfaces due to use of cleaning products containing acids or abrasive substances.

Deterioration of surface with finishes other than chrome plating. Their durability is, in fact, dependent on the user's care and gentleness of use.

Deterioration of the fitting due incorrect installation.

Improper repairs and maintenance performed without the company's prior authorization.

The warranty from IB Rubinetterie SpA is not renewable.

Cleaning

We recommended cleaning the finish surfaces with water and soap, using a soft cloth.

Do not use detergents that cointain hydrochloric acid or abrasive substances.