

Collection

**C-67**

Article

**C6313**

Description

**Exposed parts for manual wall mixer with two ways**

**Built-in body to be purchased separately INC313**

Box Dimensions

**370x270x80 mm**

Weight

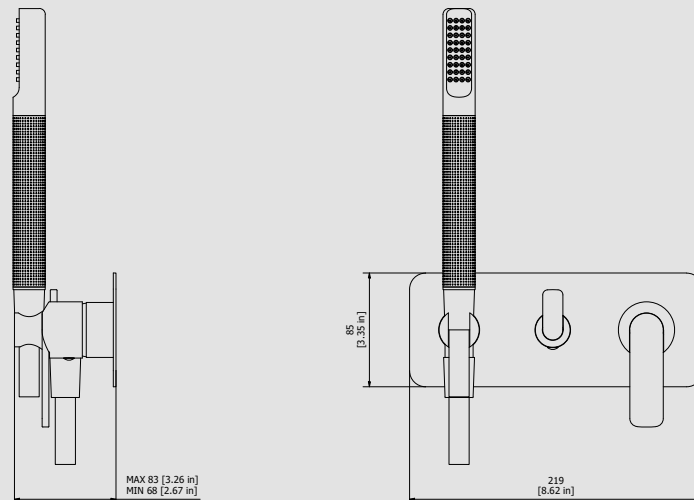
**1.9 kg**

Finishes

- **CC**  
CHROME
- **PL**  
PLATINUM
- **SS**  
BRUSHED  
NICKEL
- **ON**  
NATURAL  
BRASS
- **BO**  
MATT  
WHITE
- **NP**  
MATT  
BLACK
- **CF**  
BLACK  
CHROME
- **CS**  
BRUSHED  
BLACK  
CHROME
- **II**  
PALE  
GOLD
- **IS**  
BRUSHED  
PALE GOLD
- **RS**  
ROSE  
GOLD
- **SR**  
BRUSHED  
ROSE GOLD
- **OO**  
GOLD
- **OS**  
BRUSHED  
GOLD
- **RR**  
ANTIQUÉ  
COPPER
- **MB**  
MODERN  
BRONZE



Dimensions



Cartridge

**Ø35 ceramic cartridge**

Threaded fitting

Aerator

-

Flow Rate (+/-10%)

**1 BAR**  
10 l\m

**2 BAR**  
14.1 l\m

**3 BAR**  
17.2 l\m

Production

**Main body is a machined from a solid pieces**

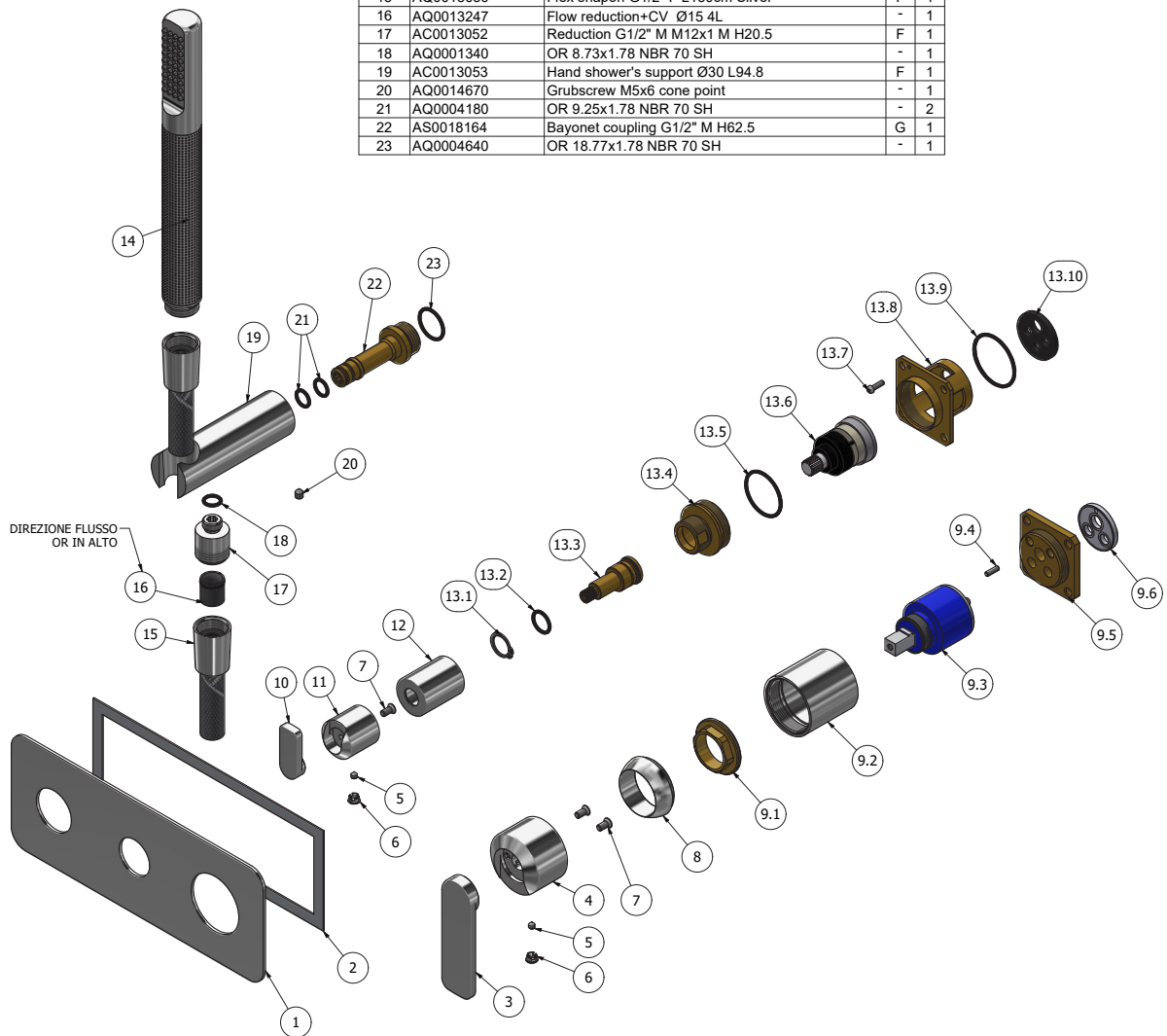
Material

**BRASS**  
According to CuZn39PB3 (CW614N)  
Max Lead content: 2.5%



WE ARE IB

Parts list			
ITEMS	CODE	DESCRIPTION	FIN QTA
1	AQ0014139-TI	Plate 219x85x2	F 1
2	AQ0014142	Rubber packing double-sided tape 200x75x8x1	- 1
3	AQ0018449_2	handle Ø25 25x85 H5	F 1
4	AC0018441	Handle Ø42 H30 9x9	F 1
5	AQ0001082	Grubscrew M4x4 cone point	- 2
6	AQ0006650	Plug cover Ø7	F 2
7	AQ0010280	Inox screw M4X8,5	- 3
8	AQ0003630	Cartridge ring nut cover M37x1.5	F 1
9	CPIN206CC-19	Mixer 47x47 x recessed	- 1
9.1	AQ0001040	Cartridge ring nut M37x1.5 H9	G 1
9.2	AC0010445	Recessed ring Ø41 M37x1.5 H40.7	F 1
9.3	AQ0004095	Ceramic cartridge Ø35 9x9 (K35A)	- 1
9.4	AQ0015357	Grubscrew M3x10 flat point	- 1
9.5	AS0013040	Insert 47x47 H11 M37x1.5	G 1
9.6	AQ0015684	Gasket Ø31 H3.5 Ø7 Ø7.5	- 1
10	AC0018601	handle Ø15 15x38 H5	F 1
11	AC0018600	Handle Ø26 H28 Ø7.8 Z20	F 1
12	AC0013054	Ring Ø26 M22x1 F H33	F 1
13	CPDEV2VXXXN_1	90 ° built-in 2-way diverter 48x48 z8x20	G 1
13.1	AQ0015748	Seeger ring Ø14 H1	- 1
13.2	AQ0004610	OR 12.42x1.78 NBR 70 SH	- 1
13.3	AS0013048	Rod Ø17.9 H42.4	G 1
13.4	AS0013050	Junction M32x1 M22x1 H23	G 1
13.5	AQ0010597	OR 28.3x1.78 NBR 70 SH	- 1
13.6	AQ0017450	Cartridge dev.2 outputs 90°	- 1
13.7	AQ0012206	Inox screw M3x10	- 1
13.8	AS0013047	Insert 47x47x32	G 1
13.9	AQ0008026	OR 33.05x1.78 NBR 70 SH	- 1
13.10	AQ0015686	Rubber Ø32 H4	- 1
14	CP18578CCN_1	Round handshower	F 1
15	AQ0018056	Flex snapon G1/2" F L150cm Silver	F 1
16	AQ0013247	Flow reduction+CV Ø15 4L	- 1
17	AC0013052	Reduction G1/2" M M12x1 M H20.5	F 1
18	AQ0001340	OR 8.73x1.78 NBR 70 SH	- 1
19	AC0013053	Hand shower's support Ø30 L94.8	F 1
20	AQ0014670	Grubscrew M5x6 cone point	- 1
21	AQ0004180	OR 9.25x1.78 NBR 70 SH	- 2
22	AS0018164	Bayonet coupling G1/2" M H62.5	G 1
23	AQ0004640	OR 18.77x1.78 NBR 70 SH	- 1





WE ARE IB

### WARRANTY

All IB Rubinetterie SpA products are warranted for 10 years from the date of purchase, for the following cases:

- Defects of casting, porosity and chrome plating.
- Operating defects caused by incorrect fabrication.

The warranty provides for repair or replacement of products with fabrication defects recognized by our technical office. There is no other type of compensation anche the merchandise must be returned FOB our warehouse. The warranty only cover surface defects (scartches, dings, etc.) on fitting that have not been installed and used, returned in its original packaging with all components. O-ring, gasket seals and components subject to wear proportional to use are warranted for 2 years.

#### **The warranty is void in the following cases:**

Error installing and putting the product into service.

Deterioration of finished surfaces due to use of cleaning products containing acids or abrasive substances.

Deterioration of surface with finishes other than chrome plating. Their durability is, in fact, dependent on the user's care and gentleness of use.

Deterioration of the fitting due incorrect installation.

Improper repairs and maintenance performed without the company's prior authorization.

The warranty from IB Rubinetterie SpA is not renewable.

#### **Cleaning**

We recommended cleaning the finish surfaces with water and soap, using a soft cloth.

Do not use detergents that cointain hydrochloric acid or abrasive substances.