



WE ARE IB

Collection

C-67

Article

C6320_22

Description

Wall mounted spout.

Box Dimensions

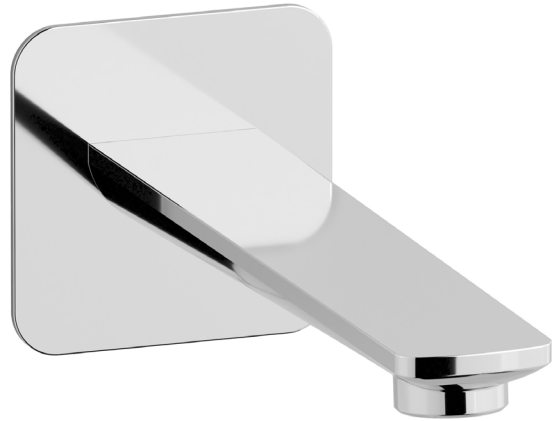
150x190x98 mm

Weight

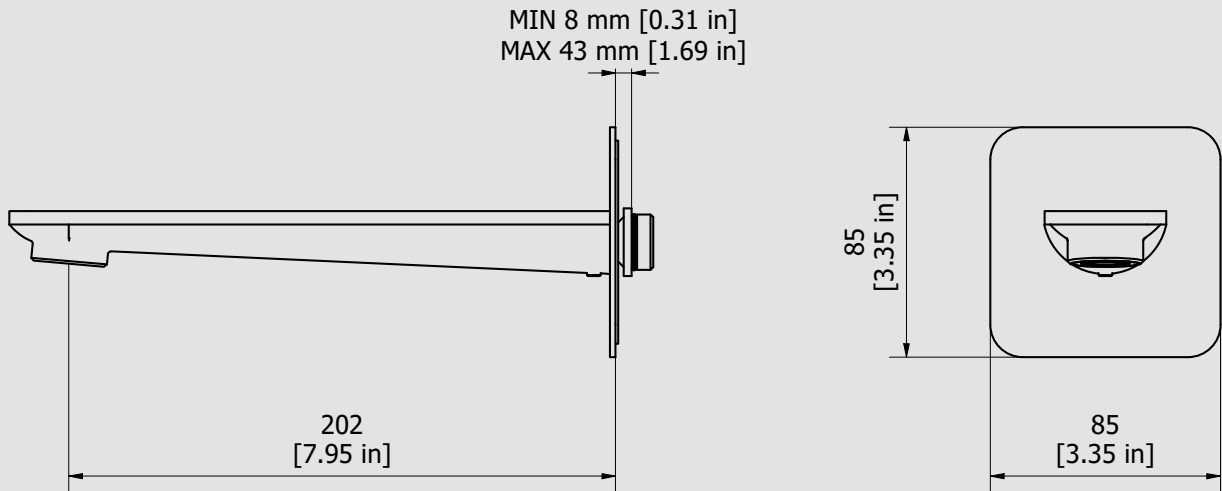
1 kg

Finishes

- **CC**
CHROME
- **PL**
PLATINUM
- **SS**
BRUSHED
NICKEL
- **ON**
NATURAL
BRASS
- **BO**
MATT
WHITE
- **NP**
MATT
BLACK
- **CF**
BLACK
CHROME
- **CS**
BRUSHED
BLACK
CHROME
- **II**
PALE
GOLD
- **IS**
BRUSHED
PALE GOLD
- **RS**
ROSE
GOLD
- **SR**
BRUSHED
ROSE GOLD
- **OO**
GOLD
- **OS**
BRUSHED
GOLD
- **RR**
ANTIQUÉ
COPPER
- **MB**
MODERN
BRONZE



Dimensions



Cartridge

Treaded fitting

G1/2" male

Aerator

M24x1

Flow Rate (+/-10%)

**1 BAR
3 l\m**

**2 BAR
4 l\m**

**3 BAR
4 l\m**

Production

Main body is a single hot stamped pieces

Material

**BRASS
According to CuZn42 (CW510L)
Max Lead content: 0.2%**

IB RUBINETTERIE s.p.a
via dei Pianotti 3/5
25068 Sarezzo (BS) - Italy -

T. +39 030 802101
F. +39 030 803097
info@weareib.it

P.IVA 01785230986
capitale sociale
€420.000,00 i.v.

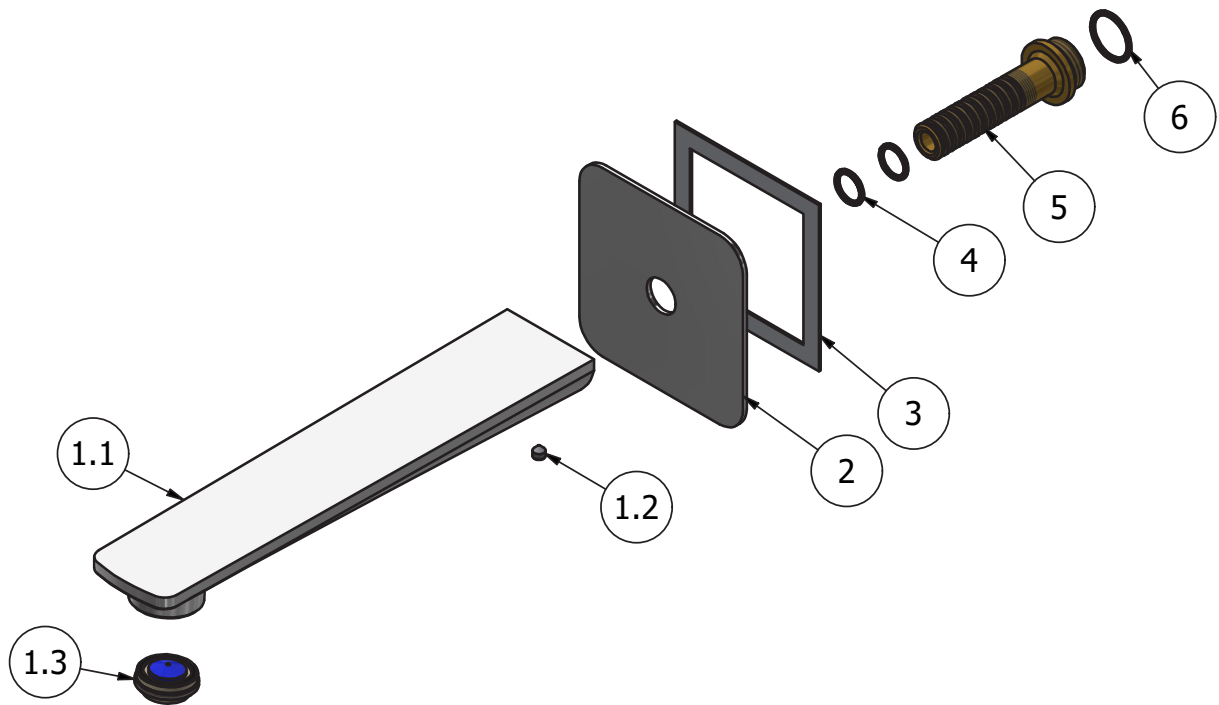
www.weareib.it





WE ARE IB

Parts list				
ITEMS	CODE	DESCRIPTION	FIN	QTÀ
1	CP2026CCN_1	Pre-assembled mouth	F	1
1.1	CC0002026	Spout 45x23 L222	F	1
1.2	AQ0009729	Grubscrew M5x5 cone point	-	1
1.3	AQ0017343	Perlator slim M24x1 1 GPM (40.8358.01)	-	1
2	AC0018604-TI	Plate 85x85x2 Ø15	F	1
3	AQ0015829	Rubber packing double-sided tape 75x75x8x1	-	1
4	AQ0001350	OR 11.11x1.78 NBR 70 SH	-	2
5	AS0018594	Insert G1/2" Ø14.5 H73	G	1
6	AQ0004630	OR 17.16x1.78 NBR 70 SH	-	1





WE ARE IB

WARRANTY

All IB Rubinetterie SpA products are warranted for 10 years from the date of purchase, for the following cases:

- Defects of casting, porosity and chrome plating.
- Operating defects caused by incorrect fabrication.

The warranty provides for repair or replacement of products with fabrication defects recognized by our technical office. There is no other type of compensation anche the merchandise must be returned FOB our warehouse. The warranty only cover surface defects (scartches, dings, etc.) on fitting that have not been installed and used, returned in its original packaging with all components. O-ring, gasket seals and components subject to wear proportional to use are warranted for 2 years.

The warranty is void in the following cases:

Error installing and putting the product into service.

Deterioration of finished surfaces due to use of cleaning products containing acids or abrasive substances.

Deterioration of surface with finishes other than chrome plating. Their durability is, in fact, dependent on the user's care and gentleness of use.

Deterioration of the fitting due incorrect installation.

Improper repairs and maintenance performed without the company's prior authorization.

The warranty from IB Rubinetterie SpA is not renewable.

Cleaning

We recommended cleaning the finish surfaces with water and soap, using a soft cloth.

Do not use detergents that cointain hydrochloric acid or abrasive substances.