

Collection

**C-67**

Article

**C6394**

Description

**Two holes deck mounted washbasin mixer.**

Box Dimensions

**400x250x140 mm**

Weight

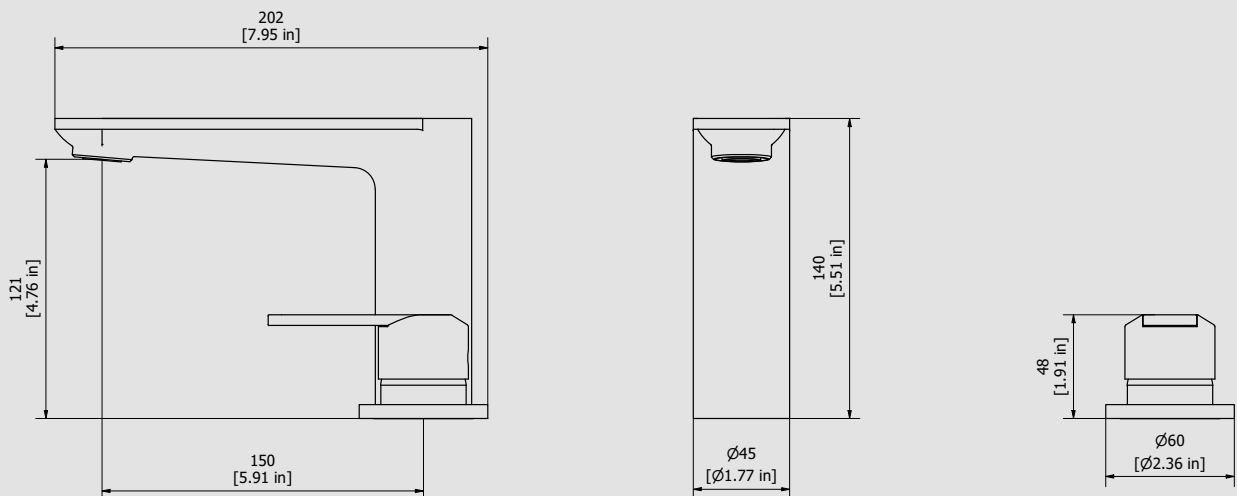
**3 kg**

Finishes

- **CC**  
CHROME
- **PL**  
PLATINUM
- **SS**  
BRUSHED  
NICKEL
- **ON**  
NATURAL  
BRASS
- **BO**  
MATT  
WHITE
- **NP**  
MATT  
BLACK
- **CF**  
BLACK  
CHROME
- **CS**  
BRUSHED  
BLACK  
CHROME
- **II**  
PALE  
GOLD
- **IS**  
BRUSHED  
PALE GOLD
- **RS**  
ROSE  
GOLD
- **SR**  
BRUSHED  
ROSE GOLD
- **OO**  
GOLD
- **OS**  
BRUSHED  
GOLD
- **RR**  
ANTIQUÉ  
COPPER
- **MB**  
MODERN  
BRONZE



Dimensions



Cartridge

**Ø35 ceramic cartridge**

Hoses

**G1/2" female**

Aerator

**M24x1**

Flow Rate (+/-10%)

<b>1 BAR</b>	<b>2 BAR</b>	<b>3 BAR</b>
<b>3 l/m</b>	<b>3.8 l/m</b>	<b>3.8 l/m</b>

Production

**Main body is a single hot stamped pieces**

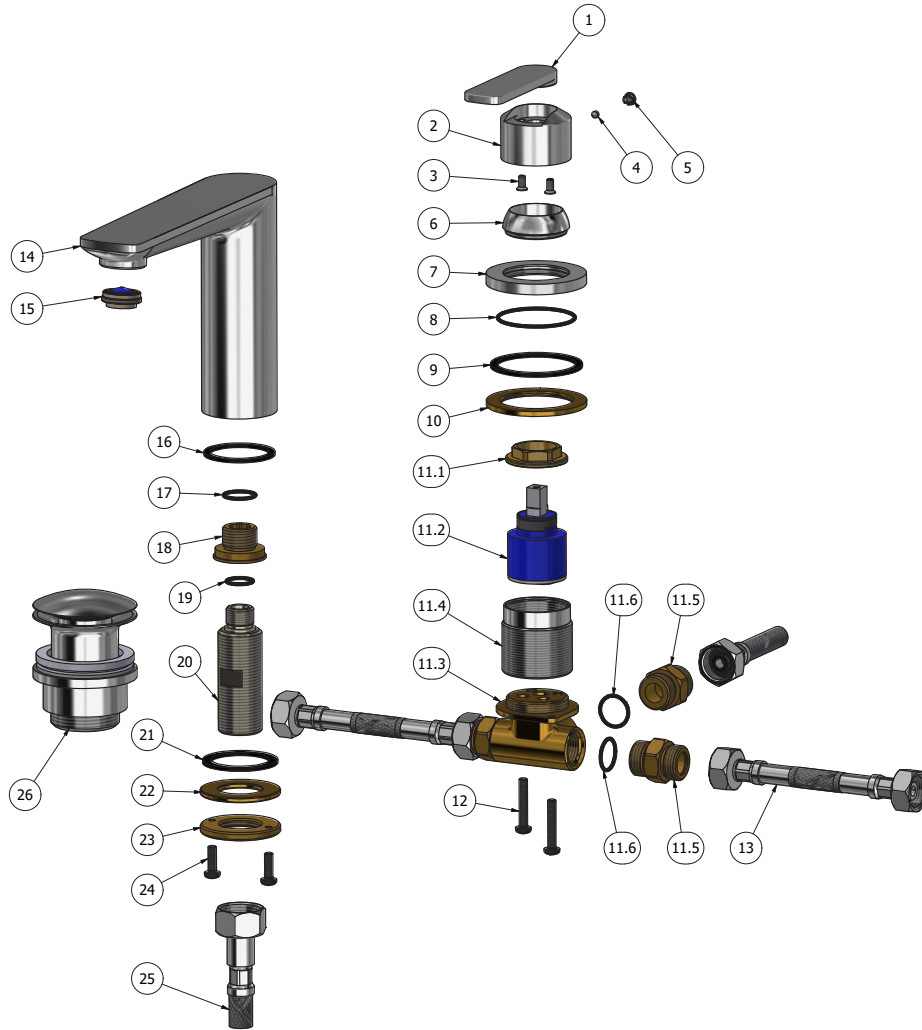
Material

**BRASS**  
According to CuZn42 (CW510L)  
Max Lead content: 0.2%



WE ARE IB

ELENCO PARTI				
ELEM.	CODICE	DESCRIZIONE	FIN	QTÀ
1	AQ0018449_2	Leva Ø25 25x85 H5	F	1
2	230726_COL 394 mani	Maniglia Ø42 H30 9x9	F	1
3	AQ0010280	Vite M4x8,5 testa croce Ø6.5	-	2
4	AQ0001082	Grano inox M4x4 p.c.	-	1
5	AQ0006650	Placchetta cromata Ø7	F	1
6	AQ0003630	Cappuccio coprighiera M37 Ø41 H15 ABS	F	1
7	AC0017940	Anello di fissaggio Ø60 H6.5 M42x1.5	F	1
8	AQ0010584	OR 44.17x1.78 NBR 70 SH	-	1
9	AQ0011028	Guarnizione piana Ø55x47x2	-	1
10	AS0011661	Anello supporto Ø60 Ø42.2 H3	G	1
11	CPID394CC-3	Premontato mix	-	1
11.1	AQ0001040	Ghiera premicartuccia M37x1.5 H9	G	1
11.2	AQ0004095	Cartuccia ceramica Ø35 9x9 (K35A)	-	1
11.3	AQT010369	Corpo incasso doccia M37x1.5 G1/2"	G	1
11.4	AC0011662	Anello M42x1.5 M37x1.5 Ø40 H40.7	F	1
11.5	AS0010301	Nipple 1/2" M-M c/sede valvola	G	3
11.6	AQ0004630	OR 17.16x1.78 NBR 70 SH	-	3
12	AQ0009153	Vite inox M5x30 ISO 7045	-	2
13	AQ0006540	Flex inox G1/2" F G1/2" F L300	-	2
14	CC0002027	Bocca Ø45 H140 L195	F	1
15	AQ0017343	Areatore slim M24x1 1GPM (40.8358.01)	-	1
16	AQ0008012	Guarnizione piana 42.5x35.5x2	-	1
17	AQ0004630	OR 17.16x1.78 NBR 70 SH	-	1
18	AS0015169	Riduzione G1/2" G3/8" H19	G	1
19	AQ0009818	OR 14x1.78 NBR 70 SH	-	1
20	AN0010971	Gambo fissaggio G3/4" G3/8" H76 sede valvola	N	1
21	AQ0008013	Guarnizione piana 45x35x2	-	1
22	AS0010697	Rondella Ø48x26.5x3	G	1
23	AS0012647	Ghiera G3/4" fori M5	G	1
24	AQ0010358	Vite inox M5x16 ISO 7045	-	2
25	AQ0009553	Flex G3/4" F G1/2" F L600	-	1
26	AQ0009837	Scarico simple rapid 1"1/4	F	1





WE ARE IB

### WARRANTY

All IB Rubinetterie SpA products are warranted for 10 years from the date of purchase, for the following cases:

- Defects of casting, porosity and chrome plating.
- Operating defects caused by incorrect fabrication.

The warranty provides for repair or replacement of products with fabrication defects recognized by our technical office. There is no other type of compensation anche the merchandise must be returned FOB our warehouse. The warranty only cover surface defects (scartches, dings, etc.) on fitting that have not been installed and used, returned in its original packaging with all components. O-ring, gasket seals and components subject to wear proportional to use are warranted for 2 years.

#### **The warranty is void in the following cases:**

Error installing and putting the product into service.

Deterioration of finished surfaces due to use of cleaning products containing acids or abrasive substances.

Deterioration of surface with finishes other than chrome plating. Their durability is, in fact, dependent on the user's care and gentleness of use.

Deterioration of the fitting due incorrect installation.

Improper repairs and maintenance performed without the company's prior authorization.

The warranty from IB Rubinetterie SpA is not renewable.

#### **Cleaning**

We recommanded cleaning the finish surfaces with water and soap, using a soft cloth.

Do not use detergents that cointain hydrochloric acid or abrasive substances.