

Collection

C-67

Article

C6396

Description

Four holes deck mounted bath filler with shower kit.

Box Dimensions

400x250x140 mm

Weight

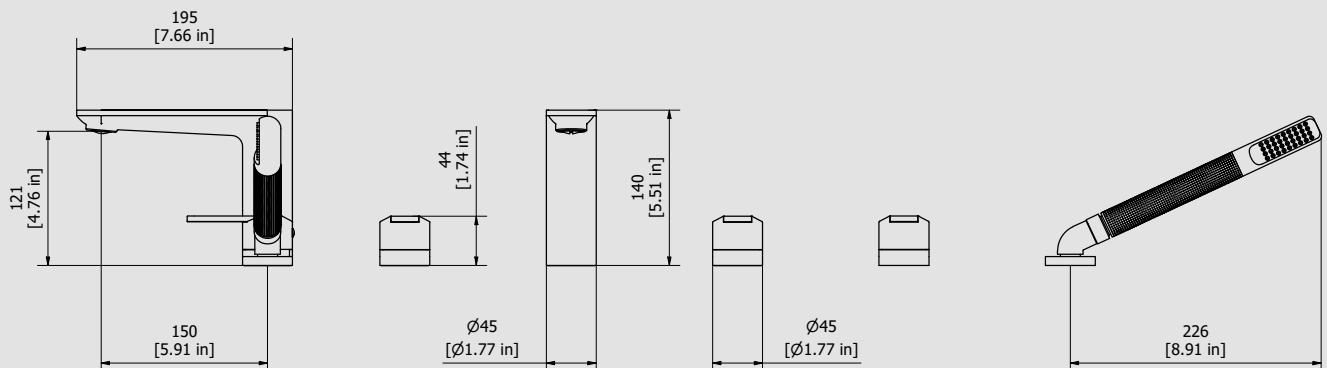
4.0 kg

Finishes

- **CC**
CHROME
- **PL**
PLATINUM
- **SS**
BRUSHED
NICKEL
- **ON**
NATURAL
BRASS
- **BO**
MATT
WHITE
- **NP**
MATT
BLACK
- **CF**
BLACK
CHROME
- **CS**
BRUSHED
BLACK
CHROME
- **II**
PALE
GOLD
- **IS**
BRUSHED
PALE GOLD
- **RS**
ROSE
GOLD
- **SR**
BRUSHED
ROSE GOLD
- **OO**
GOLD
- **OS**
BRUSHED
GOLD
- **RR**
ANTIQUÉ
COPPER
- **MB**
MODERN
BRONZE



Dimensions



Cartridge

Ceramic headwork 90°

Treaded fitting

Inox hoses G1/2" F G1/2" F L300

Aerator

M24x1

Flow Rate (+/-10%)

1 BAR	2 BAR	3 BAR
9.3 l/m	13.2 l/m	16.2 l/m

Production

Main body is a machined from a solid pieces

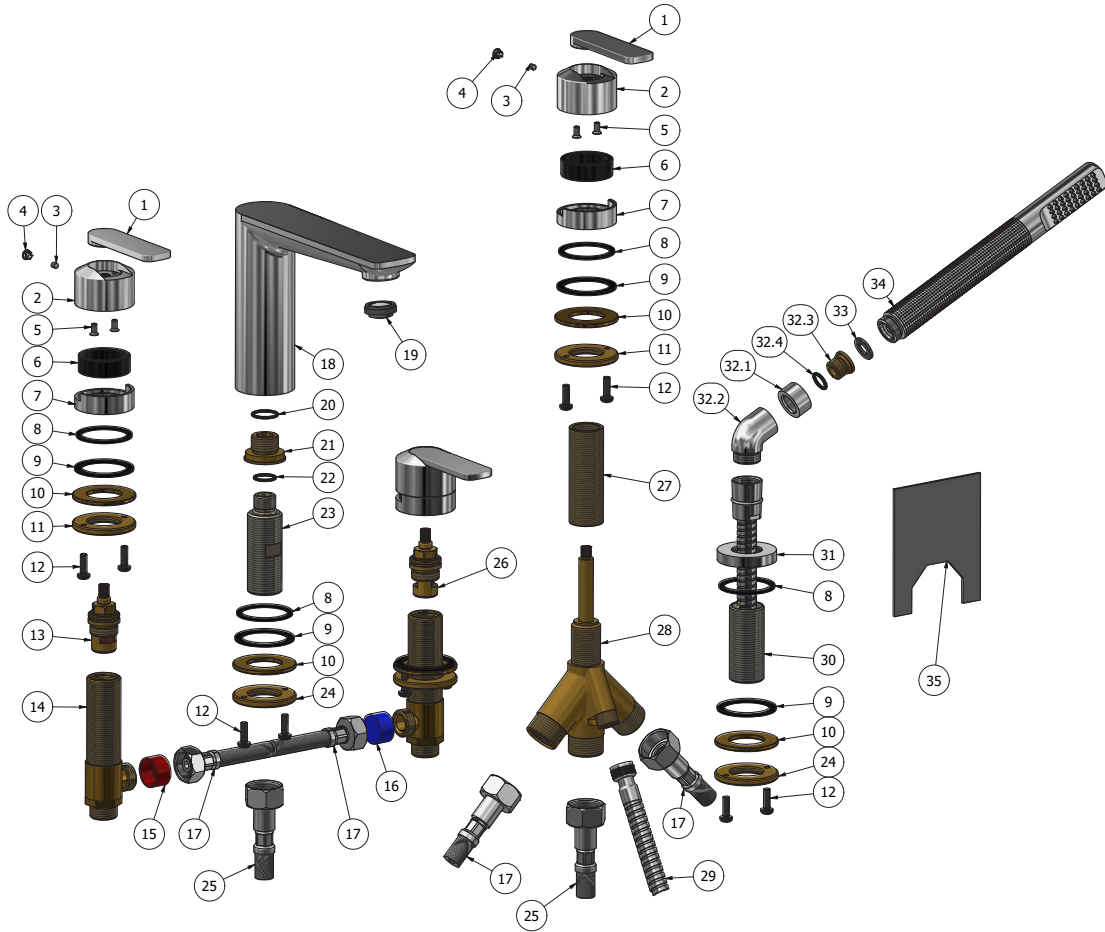
Material

BRASS
According to CuZn39PB3 (CW614N)
Max Lead content: 2.5%



WE ARE IB

Parts list				
ITEMS	CODE	DESCRIPTION	FIN	QTA
1	AQ0018449	2 handle Ø25 25x85 H5	F	3
2	AC0018477	Handle Ø45 H30 broach Z40	F	3
3	AQ0010444	Grubscrew M4x6 cone point	-	3
4	AQ0006650	Plug cover Ø7	F	3
5	AQ0010280	Inox screw M4X8.5	-	6
6	AS0018602	Insert Ø39.5 Ø30.5 H13	G	3
7	AC0018603	Base Ø45 26x19 H14	F	3
8	AQ0008012	Plane seal Ø42.5x35.5x2	-	5
9	AQ0008013	Rubber packing 45x35x2	-	5
10	AS0010697	Washer Ø48 x Ø26.5 x3	G	5
11	AS0010698	Ring nut W26x19	G	3
12	AQ0010358	Inox screw M5x16 ISO 7045	-	10
13	AQ0002135	Ceramic headwork 90° left	-	1
14	AS0002250	Washbasin upright W26x19	G	2
15	AQ0015328	Red plug G1/2"	-	1
16	AQ0015329	Blue plug G1/2"	-	1
17	AQ0009553	Inox Hose G1/2" 370mms	G	2
18	CC0002027	Spout Ø45 H140 L195	F	1
19	AQ0015239	Periator coin slot M24x1 (45.2100.000)	-	1
20	AQ0004630	OR 17.16x1.78 NBR 70 SH	-	1
21	AS0015169	Reduction G1/2" G3/8" H19	G	1
22	AQ0009818	OR 14x1.78 NBR 70 SH	-	1
23	AN0010971	Threaded fixing stem G3/4" G3/8" H76 with seat valve	N	1
24	AS0012647	Ring nut G3/4"	G	2
25	AQ0012033	Inox Hoses G3/4"	-	2
26	AQ0003930	Ceramic headwork 90° right	-	1
27	AQ0012031	Extension for diverter 26X19"	G	1
28	AQ0012030	Diverter 2 inlet / 2 outlet with stop (2950)	G	1
29	AQ0009555	Terminal d/agg G3/8" F G1/2" cono L150	-	1
30	AN0012829	Stem G3/4" H58	N	1
31	AC0018608	Base Ø45 H8 G3/4"	F	1
32	AQ0018609	Curved G1/2"	F	1
32.1	AQ0018609	1 Nut G1/2" F H12	F	1
32.2	AQ0018609	2 Cuved Ø23 G1/2" M M15x1.5 F	F	1
32.3	AQ0018609	3 Insert Ø18.8 G1/2" H14	G	1
32.4	AQ0018609	4 OR 11x2 NBR 70 SH	-	1
33	AQ0003080	Rubber G1/2"	-	1
34	CP18578CCN	1 Round handshower	F	1
35	AQ0018612	Fixing paperboard	-	1





WE ARE IB

WARRANTY

All IB Rubinetterie SpA products are warranted for 10 years from the date of purchase, for the following cases:

- Defects of casting, porosity and chrome plating.
- Operating defects caused by incorrect fabrication.

The warranty provides for repair or replacement of products with fabrication defects recognized by our technical office. There is no other type of compensation anche the merchandise must be returned FOB our warehouse. The warranty only cover surface defects (scartches, dings, etc.) on fitting that have not been installed and used, returned in its original packaging with all components. O-ring, gasket seals and components subject to wear proportional to use are warranted for 2 years.

The warranty is void in the following cases:

Error installing and putting the product into service.

Deterioration of finished surfaces due to use of cleaning products containing acids or abrasive substances.

Deterioration of surface with finishes other than chrome plating. Their durability is, in fact, dependent on the user's care and gentleness of use.

Deterioration of the fitting due incorrect installation.

Improper repairs and maintenance performed without the company's prior authorization.

The warranty from IB Rubinetterie SpA is not renewable.

Cleaning

We recommended cleaning the finish surfaces with water and soap, using a soft cloth.

Do not use detergents that cointain hydrochloric acid or abrasive substances.