



WE ARE IB

Collection

**C-67**

Article

**C6399**

Description

**Free-standing bath filler**

**Built-in body to be purchased separately INC399**

Box Dimensions

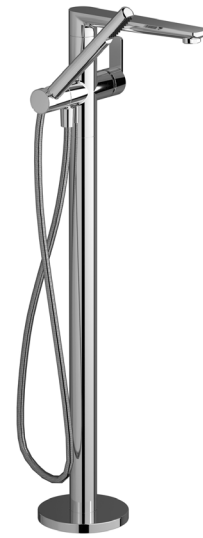
**1100x395x150 mm**

Weight

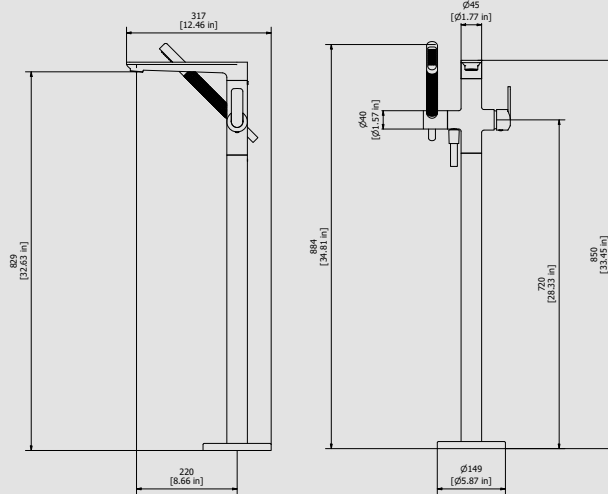
**15.6 kg**

Finishes

- **CC**  
CHROME
- **PL**  
PLATINUM
- **SS**  
BRUSHED  
NICKEL
- **ON**  
NATURAL  
BRASS
- **BO**  
MATT  
WHITE
- **NP**  
MATT  
BLACK
- **CF**  
BLACK  
CHROME
- **CS**  
BRUSHED  
BLACK  
CHROME
- **II**  
PALE  
GOLD
- **IS**  
BRUSHED  
PALE GOLD
- **RS**  
ROSE  
GOLD
- **SR**  
BRUSHED  
ROSE GOLD
- **OO**  
GOLD
- **OS**  
BRUSHED  
GOLD
- **RR**  
ANTIQUÉ  
COPPER
- **MB**  
MODERN  
BRONZE



Dimensions



Cartridge

**Ø35 ceramic cartridge**

Hoses

**flex G1/2" female 150cm**

Aerator

**M24x1**

Flow Rate (+/-10%)

<b>1 BAR</b>	<b>2 BAR</b>	<b>3 BAR</b>
<b>11.2 l\m</b>	<b>16 l\m</b>	<b>19.5 l\m</b>

Production

**Main body is a machined from a solid pieces**

Material

**BRASS**  
According to CuZn39PB3 (CW614N)  
Max Lead content: 2.5%

IB RUBINETTERIE s.p.a  
via dei Pianotti 3/5  
25068 Sarezzo (BS) - Italy -

T. +39 030 802101  
F. +39 030 803097  
info@weareib.it

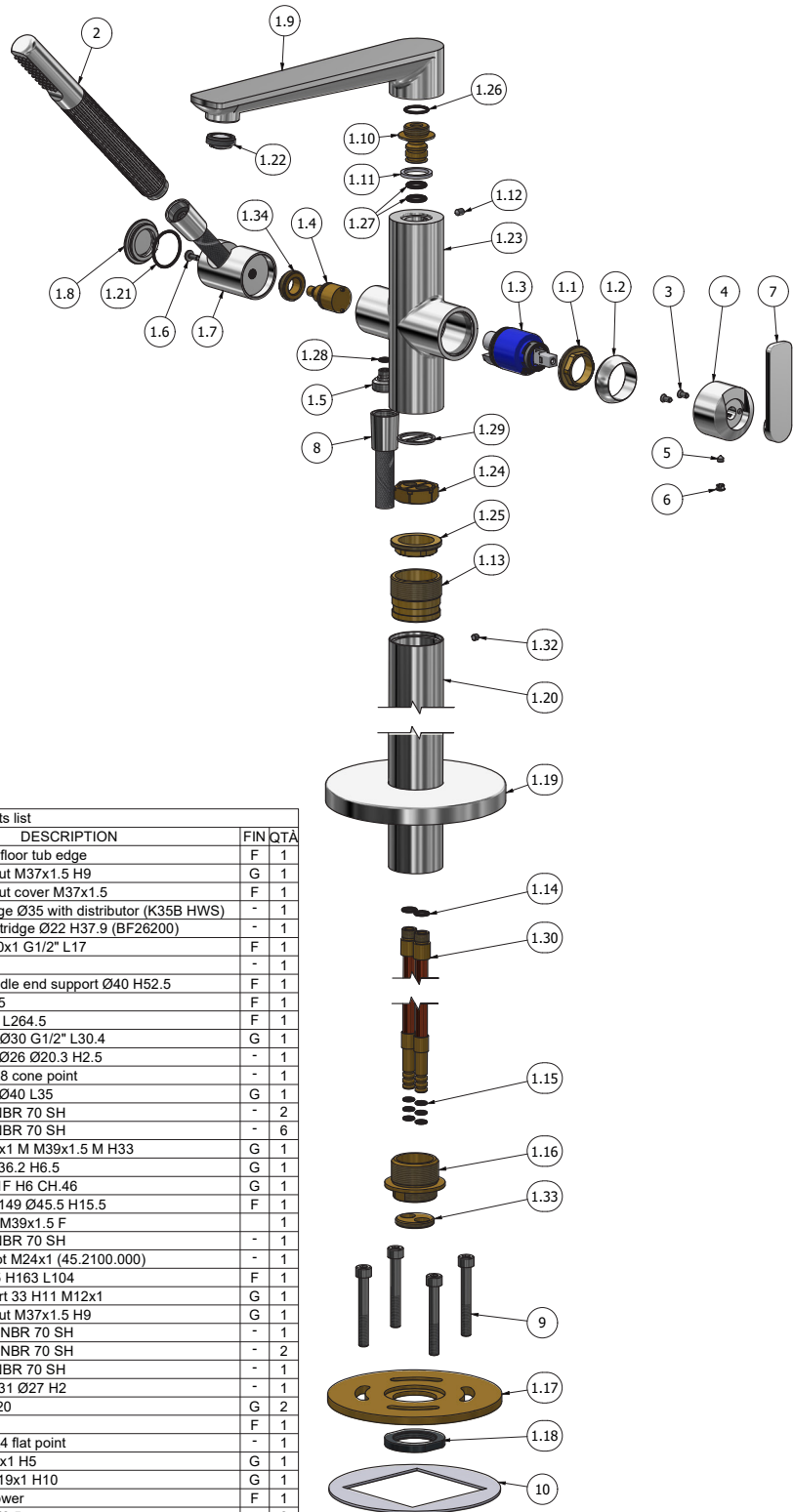
P.IVA 01785230986  
capitale sociale  
€420.000,00 i.v.

[www.weareib.it](http://www.weareib.it)





WE ARE IB



Parts list				
ITEMS	CODE	DESCRIPTION	FIN	QTA
1	CPC6399CC-1	Pre-assembled floor tub edge	F	1
1.1	AQ0001040	Cartridge ring nut M37x1.5 H9	G	1
1.2	AQ0003630	Cartridge ring nut cover M37x1.5	F	1
1.3	AQ0004075	Ceramic cartridge Ø35 with distributor (K35B HWS)	-	1
1.4	AQ0018618	Progressive cartridge Ø22 H37.9 (BF26200)	-	1
1.5	AC0012348	Connection M10x1 G1/2" L17	F	1
1.6	AQ0002160	Screw M4x10	-	1
1.7	AC0018619	Hanshower handle end support Ø40 H52.5	F	1
1.8	AC0018620	Plug Ø37.5 H5.5	F	1
1.9	CC0002028	Spout Ø45 H40 L264.5	F	1
1.10	AS0015161	Insert for spout Ø30 G1/2" L30.4	G	1
1.11	AQ0007140	Antifriction ring Ø26 Ø20.3 H2.5	-	1
1.12	AQ0010869	Grubscrew M5x8 cone point	-	1
1.13	AS0012699	Insert M42x1.5 Ø40 L35	G	1
1.14	AQ0004180	OR 9.25x1.78 NBR 70 SH	-	2
1.15	AQ0012025	OR 6.35x1.78 NBR 70 SH	-	6
1.16	AS0016991	Insert Ø50 M36x1 M M39x1.5 M H33	G	1
1.17	AS0015991	Flange Ø144 Ø36.2 H6.5	G	1
1.18	AS0013152	Nut Ø50 M36X1F H6 CH.46	G	1
1.19	AQ0015156	Round carter Ø149 Ø45.5 H15.5	F	1
1.20	AC0015995	Pipe Ø45 L640 M39x1.5 F	-	1
1.21	AQ0010597	OR 28.3x1.78 NBR 70 SH	-	1
1.22	AQ0015239	Perlator coin slot M24x1 (45.2100.000)	-	1
1.23	CC0002029	Mixer body Ø45 H163 L104	F	1
1.24	AS0018622	Hexagonal insert 33 H11 M12x1	G	1
1.25	AS0018623	Cartridge ring nut M37x1.5 H9	G	1
1.26	AQ0004630	OR 17.16x1.78 NBR 70 SH	-	1
1.27	AQ0001360	OR 11.91x2.62 NBR 70 SH	-	2
1.28	AQ0001130	OR 6.75x1.78 NBR 70 SH	-	1
1.29	AQ0018621	Plane gasket Ø31 Ø27 H2	-	1
1.30	AS0018624	Pipe M12x1 L720	G	2
1.31	AQ0006650	Plug cover Ø7	F	1
1.32	AQ0009541	Grubscrew M5x4 flat point	-	1
1.33	AS0016997	Pipe guide M32x1 H5	G	1
1.34	AS0018564	Nut M25x1.5 M19x1 H10	G	1
2	CP18578CCN_1	Round handshower	F	1
3	AQ0010280	Inox screw M4X8.5	-	2
4	AC0018617	Handle Ø45 H30 9x9	F	1
5	AQ0009729	Grubscrew M5x5 cone point	-	1
6	AQ0006650	Plug cover Ø7	F	1
7	AQ0018449_2	handle Ø25 25x85 H5	F	1
8	AQ0018056	Flex snapon G1/2" F L150cm Silver	F	1
9	AQ0016200	Inox screw TCEI M8x60 DIN912	-	4
10	AQ0015889	Rubber packing double-sided Ø142 H2	-	1



WE ARE IB

### WARRANTY

All IB Rubinetterie SpA products are warranted for 10 years from the date of purchase, for the following cases:

- Defects of casting, porosity and chrome plating.
- Operating defects caused by incorrect fabrication.

The warranty provides for repair or replacement of products with fabrication defects recognized by our technical office. There is no other type of compensation anche the merchandise must be returned FOB our warehouse. The warranty only cover surface defects (scartches, dings, etc.) on fitting that have not been installed and used, returned in its original packaging with all components. O-ring, gasket seals and components subject to wear proportional to use are warranted for 2 years.

#### **The warranty is void in the following cases:**

Error installing and putting the product into service.

Deterioration of finished surfaces due to use of cleaning products containing acids or abrasive substances.

Deterioration of surface with finishes other than chrome plating. Their durability is, in fact, dependent on the user's care and gentleness of use.

Deterioration of the fitting due incorrect installation.

Improper repairs and maintenance performed without the company's prior authorization.

The warranty from IB Rubinetterie SpA is not renewable.

#### **Cleaning**

We recommended cleaning the finish surfaces with water and soap, using a soft cloth.

Do not use detergents that cointain hydrochloric acid or abrasive substances.