



WE ARE IB

Collection

**C-67**

Article

**C6498**

Description

**Two ways wall spout mixer with shower.**

**Built-in body to be purchased separately INC313**

Box Dimensions

**470x290x160 mm**

Weight

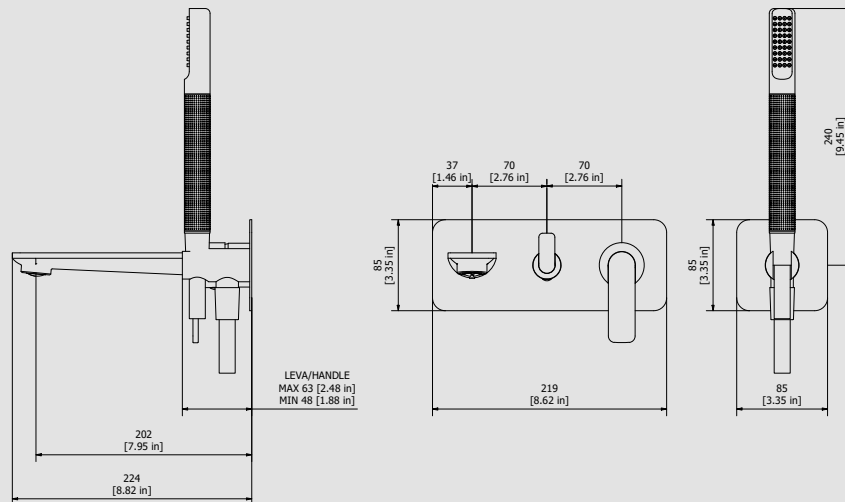
**5 kg**

Finishes

- **CC** CHROME
- **PL** PLATINUM
- **SS** BRUSHED NICKEL
- **ON** NATURAL BRASS
- **BO** MATT WHITE
- **NP** MATT BLACK
- **CF** BLACK CHROME
- **CS** BRUSHED BLACK CHROME
- **II** PALE GOLD
- **IS** BRUSHED PALE GOLD
- **RS** ROSE GOLD
- **SR** BRUSHED ROSE GOLD
- **OO** GOLD
- **OS** BRUSHED GOLD
- **RR** ANTIQUE COPPER
- **MB** MODERN BRONZE



Dimensions



Cartridge

**Ø35 ceramic cartridge**

Hoses

**Flex sapon G1/2" F L150cm**

Aerator

**M24x1**

Flow Rate (+/-10%)

<b>1 BAR</b>	<b>2 BAR</b>	<b>3 BAR</b>
<b>10 l\m</b>	<b>14 l\m</b>	<b>17.2 l\m</b>

Production

**Main body is a machined from a solid pieces**

Material

**BRASS**  
**According to CuZn39PB3 (CW614N)**  
**Max Lead content: 2.5%**

IB RUBINETTERIE s.p.a  
via dei Pianotti 3/5  
25068 Sarezzo (BS) - Italy -

T. +39 030 802101  
F. +39 030 803097  
info@weareib.it

P.IVA 01785230986  
capitale sociale  
€420.000,00 i.v.

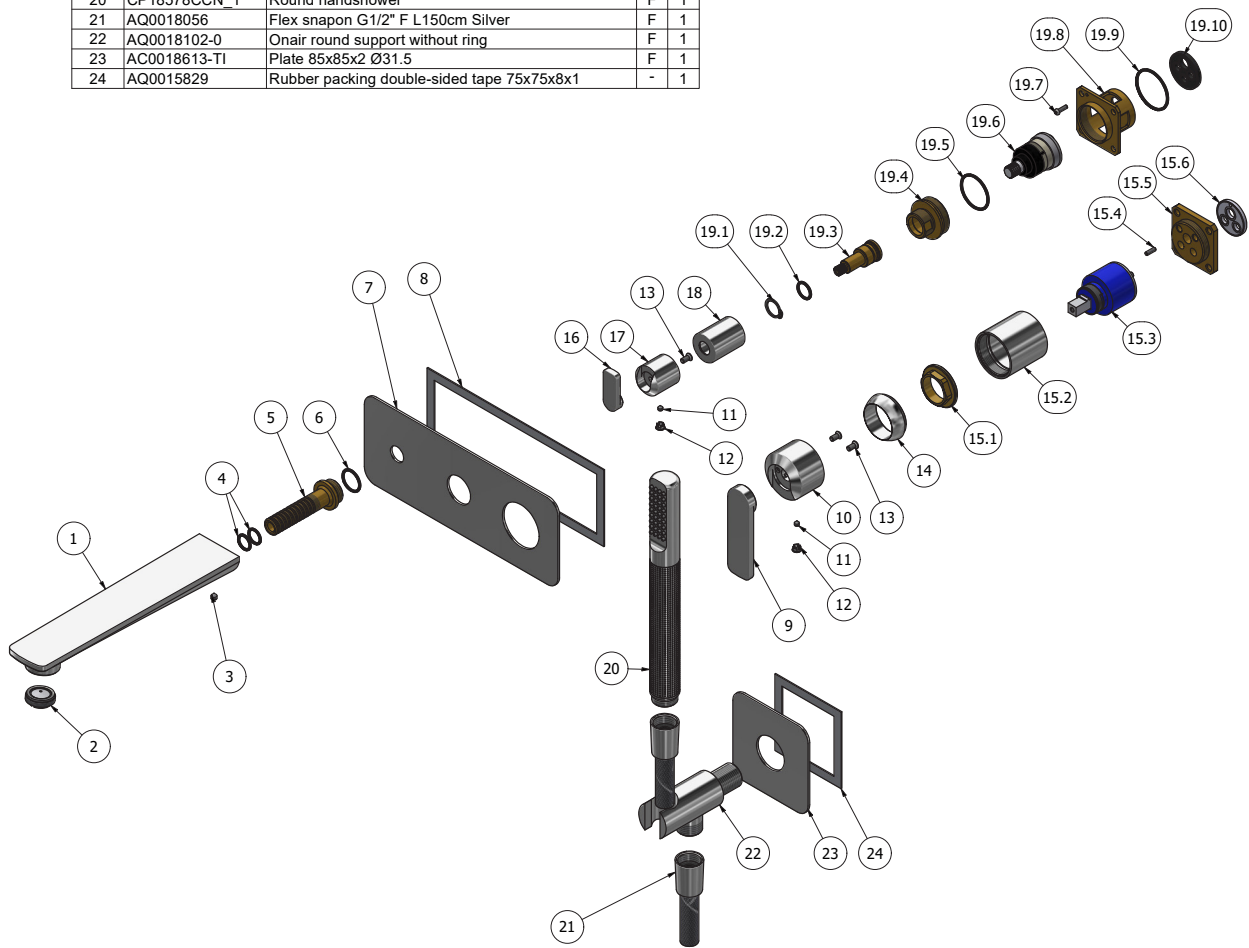
[www.weareib.it](http://www.weareib.it)





WE ARE IB

Parts list				
ITEMS	CODE	DESCRIPTION	FIN	QTA
1	CC0002026	Spout 45x23 L222	F	1
2	AQ0015239	Perlator coin slot M24x1 (45.2100.000)	-	1
3	AQ0009729	Grubscrew M5x5 cone point	-	1
4	AQ0001350	OR 11.11x1.78 NBR 70 SH	-	2
5	AS0018594	Insert G1/2" Ø14.5 H73	G	1
6	AQ0004630	OR 17.16x1.78 NBR 70 SH	-	1
7	AQ0018614-TI	Plate 219x85x2	F	1
8	AQ0014142	Rubber packing double-sided tape 200x75x8x1	-	1
9	AQ0018449_2	handle Ø25 25x85 H5	F	1
10	AC0018441	Handle Ø42 H30 9x9	F	1
11	AQ0001082	Grubscrew M4x4 cone point	-	2
12	AQ0006650	Plug cover Ø7	F	2
13	AQ0010280	Inox screw M4X8,5	-	3
14	AQ0003630	Cartridge ring nut cover M37x1.5	F	1
15	CPIN206CC-19	Mixer 47x47 x recessed	-	1
15.1	AQ0001040	Cartridge ring nut M37x1.5 H9	G	1
15.2	AC0010445	Recessed ring Ø41 M37x1.5 H40.7	F	1
15.3	AQ0004095	Ceramic cartridge Ø35 9x9 (K35A)	-	1
15.4	AQ0015357	Grubscrew M3x10 flat point	-	1
15.5	AS0013040	Insert 47x47 H11 M37x1.5	G	1
15.6	AQ0015684	Gasket Ø31 H3.5 Ø7 Ø7.5	-	1
16	AC0018601	handle Ø15 15x38 H5	F	1
17	AC0018600	Handle Ø26 H28 Ø7.8 Z20	F	1
18	AC0013054	Ring Ø26 M22x1 F H33	F	1
19	CPDEV2VXXN_1	90 ° built-in 2-way diverter 48x48 z8x20	G	1
19.1	AQ0015748	Seeger ring Ø14 H1	-	1
19.2	AQ0004610	OR 12.42x1.78 NBR 70 SH	-	1
19.3	AS0013048	Rod Ø17.9 H42.4	G	1
19.4	AS0013050	Junction M32x1 M22x1 H23	G	1
19.5	AQ0010597	OR 28.3x1.78 NBR 70 SH	-	1
19.6	AQ0017450	Cartridge dev.2 outputs 90°	-	1
19.7	AQ0012206	Inox screw M3x10	-	1
19.8	AS0013047	Insert 47x47x32	G	1
19.9	AQ0008026	OR 33.05x1.78 NBR 70 SH	-	1
19.10	AQ0015686	Rubber Ø32 H4	-	1
20	CP18578CCN_1	Round handshower	F	1
21	AQ0018056	Flex snapon G1/2" F L150cm Silver	F	1
22	AQ0018102-0	Onair round support without ring	F	1
23	AC0018613-TI	Plate 85x85x2 Ø31.5	F	1
24	AQ0015829	Rubber packing double-sided tape 75x75x8x1	-	1





WE ARE IB

### WARRANTY

All IB Rubinetterie SpA products are warranted for 10 years from the date of purchase, for the following cases:

- Defects of casting, porosity and chrome plating.
- Operating defects caused by incorrect fabrication.

The warranty provides for repair or replacement of products with fabrication defects recognized by our technical office. There is no other type of compensation anche the merchandise must be returned FOB our warehouse. The warranty only cover surface defects (scartches, dings, etc.) on fitting that have not been installed and used, returned in its original packaging with all components. O-ring, gasket seals and components subject to wear proportional to use are warranted for 2 years.

#### **The warranty is void in the following cases:**

Error installing and putting the product into service.

Deterioration of finished surfaces due to use of cleaning products containing acids or abrasive substances.

Deterioration of surface with finishes other than chrome plating. Their durability is, in fact, dependent on the user's care and gentleness of use.

Deterioration of the fitting due incorrect installation.

Improper repairs and maintenance performed without the company's prior authorization.

The warranty from IB Rubinetterie SpA is not renewable.

#### **Cleaning**

We recommended cleaning the finish surfaces with water and soap, using a soft cloth.

Do not use detergents that cointain hydrochloric acid or abrasive substances.