



WE ARE IB

Collection

ELIO

Article

EI392_3

Description

Three holes washbasin

Box Dimensions

455x310x75 mm

Weight

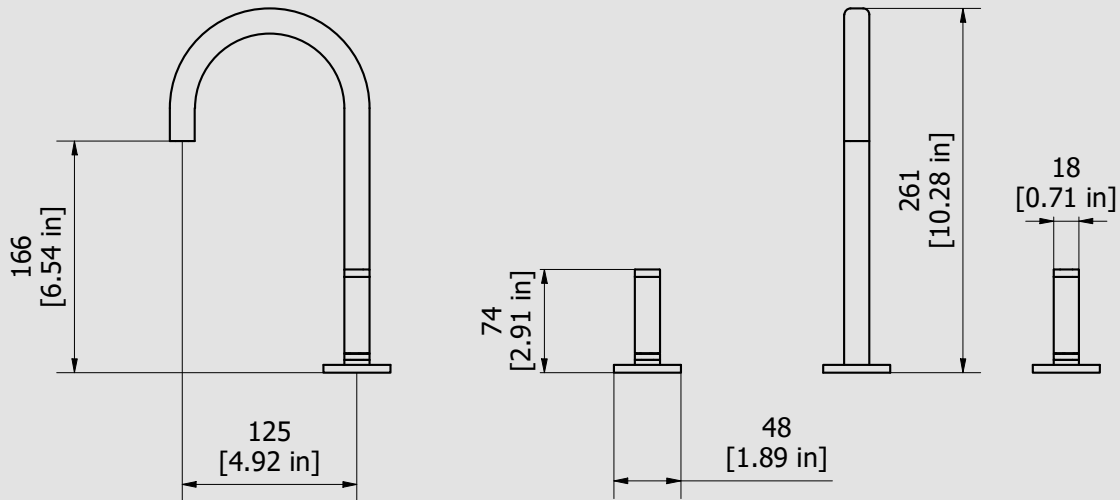
4.0 kg

Finishes

- **CC** CHROME
- **PL** PLATINUM
- **SS** BRUSHED NICKEL
- **ON** NATURAL BRASS
- **BO** MATT WHITE
- **NP** MATT BLACK
- **CF** BLACK CHROME
- **CS** BRUSHED BLACK CHROME
- **II** PALE GOLD
- **IS** BRUSHED PALE GOLD
- **RS** ROSE GOLD
- **SR** BRUSHED ROSE GOLD
- **OO** GOLD
- **OS** BRUSHED GOLD
- **RR** ANTIQUE COPPER
- **MB** MODERN BRONZE



Dimensions



Cartridge

G3/8" ceramic headwork

Threaded fitting

Inox hose G1/2" male

Aerator

M16.5X1

Flow Rate (+/-10%)

1 BAR	2 BAR	3 BAR
3 l/m	3.8 l/m	3.8 l/m

Production

Main body is a machined from a solid pieces

Material

BRASS
According to CuZn42 (CW510L)
Max Lead content: 0.2%

IB RUBINETTERIE s.p.a
via dei Pianotti 3/5
25068 Sarezzo (BS) - Italy -

T. +39 030 802101
F. +39 030 803097
info@weareib.it

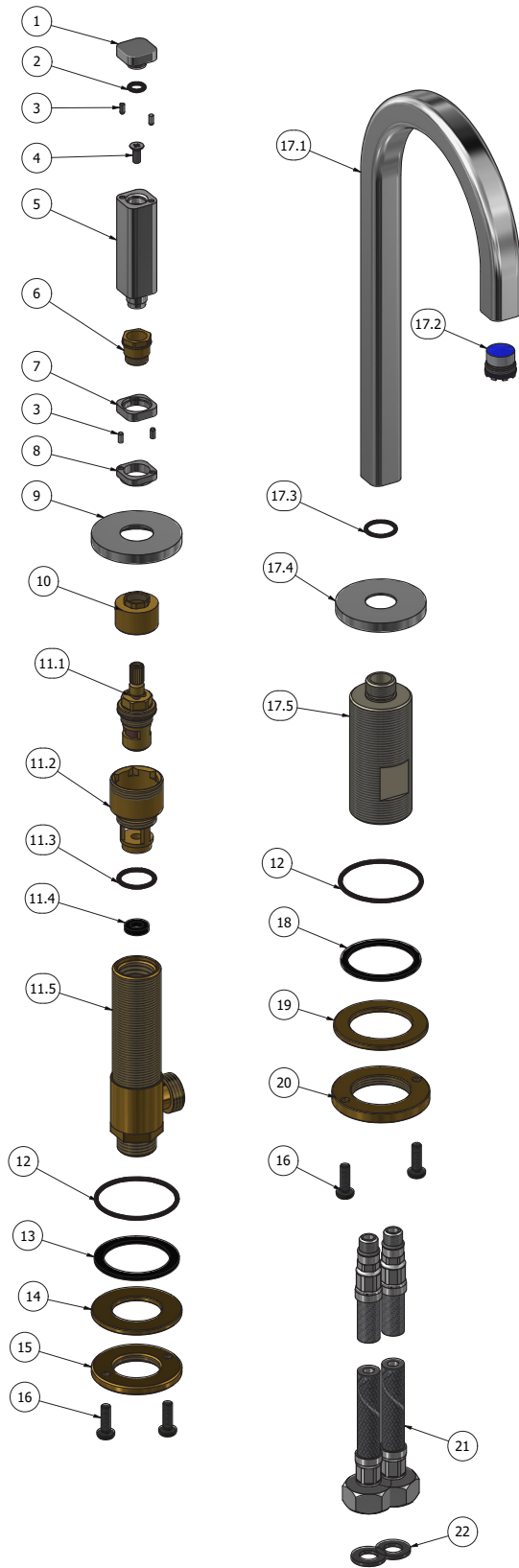
P.IVA 01785230986
capitale sociale
€420.000,00 i.v.

www.weareib.it

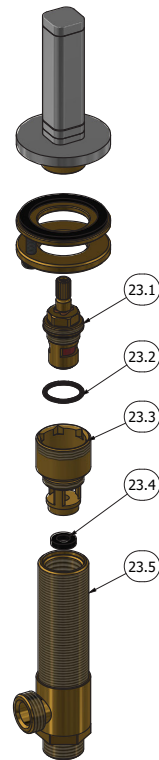




WE ARE IB



Parts list			
ELEM.	CODE	DESCRIPTION	QTÀ
1	AC0016184	Square plug 18x18 H10.4	2
2	AQ0012025	OR 6.35x1.78 NBR 70 SH	2
3	AQ0012230	Stainless stell pin Ø2.5x6	8
4	AQ0013743	Inox screw M4X10 DIN 965	2
5	AC0016183	Square handle 18x18 Ø8 = Z20 smooth	2
6	AS0016182	Clamping insert M12X1 M	2
7	AC0016180	Square ring 18X18 H4.5	2
8	AC0016181	Square ring 18x18 H4.8	2
9	AC0016177	Rosette Ø48 M28X1.5F	2
10	AS0016179	Insert Ø22.8 M21x1F. M12x1F H16.5	2
11	CPEI392CCXN_2	Preassembled clamping nut 26x19 SX	1
11.1	AQ0010516	Ceramic headwork G3/8" SX	1
11.2	AS0016176	Adapter G "1 / 2M G" 3 / 8F	1
11.3	AQ0009841	OR 17x2 NBR 70 SH	1
11.4	AQ0009928	Rubber packing Ø13 Ø7 H3	1
11.5	AS0002250	Washbasin upright W26x19	1
12	AQ0013363	OR 41x2 NBR 70 SH	3
13	AQ0008013	Rubber packing 45x35x2	2
14	AS0010697	Washer Ø48 x Ø26.5 x3	2
15	AS0010698	Ring nut W26x19	2
16	AQ0010358	Inox screw M5x16 ISO 7045	6
17	CPEI392CC-1B	Preassembled spout	1
17.1	AC0016793	Low mouth 18x18 R4.5 H255.5 int.160.5x125 90GR	1
17.2	AQ0014147	Perlator PCA cachè laminar 1 GPM (44.3358.010)	1
17.3	AQ0009818	OR 14x1.78 NBR 70 SH	1
17.4	AC0016178	Rosette Ø48 H5.5 M33x1.5F.	1
17.5	AN0012449	Threaded stem M33x1.5 M16x1 H80	1
18	AQ0008012	Plane seal Ø42.5x35.5x2	1
19	AS0010659	Brass ring Ø50x35.5x3	1
20	AS0010658	Ring nut with screwed holes Ø52 M33x1.5 H6	1
21	AQ0015762	Inox hose DN8 M10x1 G1/2" L400 WRAS	2
22	AQ0003080	Rubber G1/2"	2
23	CPEI392CCXN_1	Preassembled clamping nut 26x19 DX	1
23.1	AQ0010515	Ceramic headwork G3/8" DX	1
23.2	AQ0009841	OR 17x2 NBR 70 SH	1
23.3	AS0016176	Adapter G "1 / 2M G" 3 / 8F	1
23.4	AQ0009928	Rubber packing Ø13 Ø7 H3	1
23.5	AS0002250	Washbasin upright W26x19	1





WE ARE IB

WARRANTY

All IB Rubinetterie SpA products are warranted for 10 years from the date of purchase, for the following cases:

- Defects of casting, porosity and chrome plating.
- Operating defects caused by incorrect fabrication.

The warranty provides for repair or replacement of products with fabrication defects recognized by our technical office. There is no other type of compensation anche the merchandise must be returned FOB our warehouse. The warranty only cover surface defects (scartches, dings, etc.) on fitting that have not been installed and used, returned in its original packaging with all components. O-ring, gasket seals and components subject to wear proportional to use are warranted for 2 years.

The warranty is void in the following cases:

Error installing and putting the product into service.

Deterioration of finisched surfaces due to use of cleaning products containing acids or abrasive substances.

Deterioration of surface with finishes other than chrome plating. Their durability is, in fact, dependent on the user's care and gentleness of use.

Deterioration of the fitting due incorrect installation.

Improper repairs and maintenance performed without the company's prior authorization.

The warranty from IB Rubinetterie SpA is not renewable.

Cleaning

We recommended cleaning the finish surfaces with water and soap, using a soft cloth.

Do not use detergents that cointain hydrochloric acid or abrasive substances.