

Collection

ELIO

Article

E0397_2

Description

3 Holes bath filler with overflow outlet connection, diverter and shower kit

Box Dimensions

470x290x160 mm

Weight

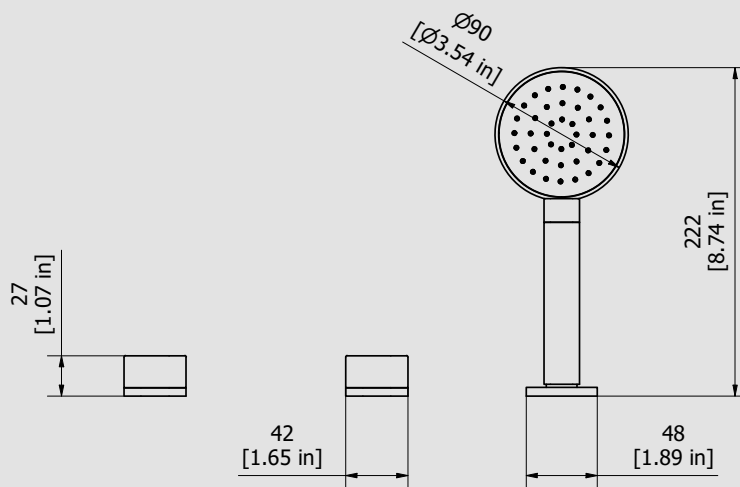
3.7 kg

Finishes

- **CC**
CHROME
- **PL**
PLATINUM
- **SS**
BRUSHED
NICKEL
- **ON**
NATURAL
BRASS
- **BO**
MATT
WHITE
- **NP**
MATT
BLACK
- **CF**
BLACK
CHROME
- **CS**
BRUSHED
BLACK
CHROME
- **II**
PALE
GOLD
- **IS**
BRUSHED
PALE GOLD
- **RS**
ROSE
GOLD
- **SR**
BRUSHED
ROSE GOLD
- **OO**
GOLD
- **OS**
BRUSHED
GOLD
- **RR**
ANTIQUÉ
COPPER
- **MB**
MODERN
BRONZE



Dimensions



Cartridge

Ø35 ceramic cartridge

Threaded fitting

Flex G1/2" female 300mm

Aerator

Flow Rate (+/-10%)

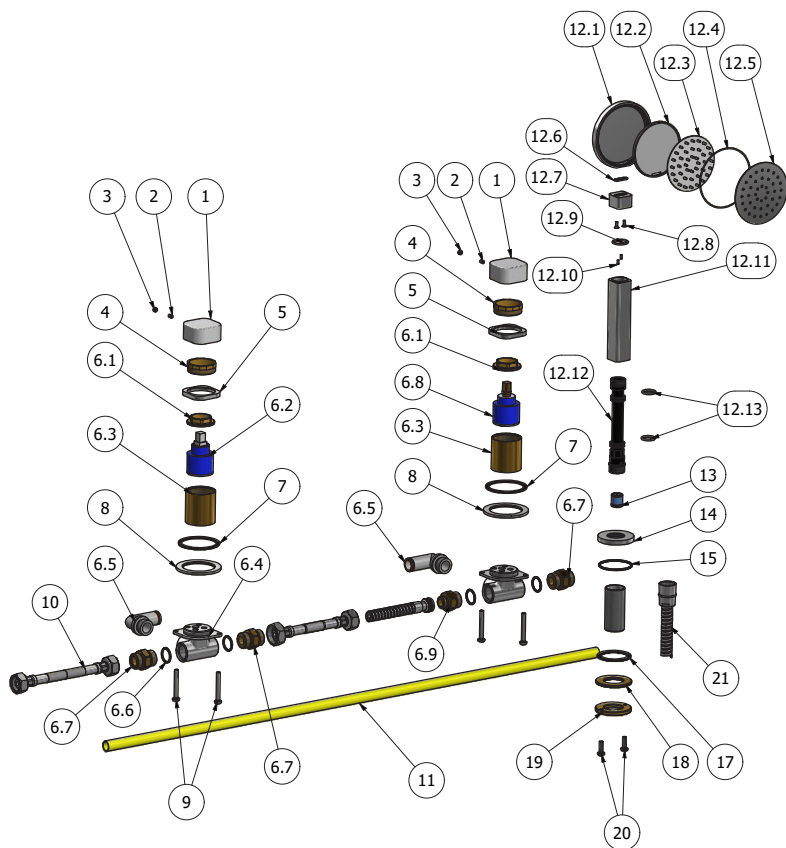
| 1 BAR | 2 BAR | 3 BAR |
|-------|--------|----------|
| 9 l/m | 13 l/m | 16.1 l/m |

Production

Main body is a machined from a solid pieces

Material

BRASS
According to CuZn42 (CW510L)
Max Lead content: 0.2%



| Elenco parti | | | |
|--------------|---------------------|--|-----|
| ELEM. | CODICE | NUMERO DI MAGAZZINO | QTA |
| 1 | AC0016802 | Handle 42x42 H21.5 coral | 2 |
| 2 | AQ0001081 | Grubscrew M4x6 flat point | 2 |
| 3 | AQ0012203 | Plug | 2 |
| 4 | AS0016845 | Ring Ø38.5 M37X1.5M 12.3 | 2 |
| 5 | AC0016844 | Ring 24x24 H5.5 foro Ø37.5 | 2 |
| 6 | CPEF397C C-19 | Preassembled 3 hole bath side | 1 |
| 6.1 | AQ0001040 | Cartridge ring nut M37x1.5 H9 | 2 |
| 6.2 | AQ0013271 | Ceramic cartridge KRJ 35A 9x9 | 1 |
| 6.3 | AS0016843 | Ring M37x1.5 Ø39.8 H43 | 2 |
| 6.4 | AQCT10369 | Recessed shower mixer body Ø35 DZR | 2 |
| 6.5 | AQ0013713 | Connection piece L G1/2" Ø14 (2031019) | 2 |
| 6.6 | AQ0004630 | OR 17.16x1.78 NBR 70 SH | 4 |
| 6.7 | AS0010301 | Reduction G1/2" M G1/2" M with valve seat | 3 |
| 6.8 | AQ0013143 | Ceramic cartridge Ø35 Wout/D KDZ HTG | 1 |
| 6.9 | AS0011227 | Connection piece G1/2" M G3/8" M with valve seat | 1 |
| 9. | Asta x AQ0013143 | Brass insert 9x9 for AQ0013143 | 1 |
| 7 | AQ0011028 | Flat gasket Ø55 Ø47 H2 | 2 |
| 8 | AC0011661 | Support ring Ø60 Ø42.2 H3 | 2 |
| 9 | AQ0010585 | Screw inox M5x40 tc | 4 |
| 10 | AQ0006540 | Flex inox G1/2" F G1/2" F L300 | 2 |
| 11 | AQ0013714- 1 | Rislna pipe PA11 DIN 74324 Ø14xØ12 L.80 cm | 1 |
| 12 | CPEF090C CXN1 | Square hand shower 24x24 H214 | 1 |
| 12.1 | AQ0016231 _3 | Handshower head Ø90 | 1 |
| 12.2 | AQ0016231 _10 | Diffuser press cover | 1 |
| 12.3 | AQ0016231 _2 | Shower diffuser | 1 |
| 12.4 | AQ0016231 _11 | OR 80x1.3 NBR 70 SH | 1 |
| 12.5 | AQ0016231 _1 | Diffuser holder flange | 1 |
| 12.6 | AQ0016231 _4 | OR12x1.5 NBR 70 SH | 1 |
| 12.7 | AC0016811 | Connection 24x24 M20X1 H16 | 1 |
| 12.8 | AQ0016231 _6 | Screw inox M3x8 TSP DIN7991 | 2 |
| 12.9 | AQ0016231 _7 | OR 18x2 NBR 70 SH | 1 |
| 12.10 | AQ0012230 | Stainless stell pin Ø2.5x6 | 2 |
| 12.11 | AC0016812 | Grip 24x24 H.110.5 | 1 |
| 12.12 | AQ0016231 _9 | Insert for handshower G1/2" | 1 |
| 12.13 | AQ0016231 _8 | OR 13.95x2.62 NBR 70 SH | 2 |
| 13 | AQ0006576 | No return valve Ø15 (31.4015.00001) | 1 |
| 14 | AC0016840 | Base Ø48 H6 G3/4" | 1 |
| 15 | AQ0013363 | OR 41x2 NBR 70 SH | 1 |
| 16 | AC0012829 | Stem G3/4" H58 | 1 |
| 17 | AQ0008013 | Rubber packing 45x35x2 | 1 |
| 18 | AS0010697 | Washer Ø48 x Ø26.5 x3 | 1 |
| 19 | AS0012647 | Ring nut G3/4" | 1 |
| 20 | AQ0010358 | Inox screw M5x16 ISO 7045 | 2 |
| 21 | AQ0009555 | Terminal d/agg G3/8" F G1/2" cono L150 | 1 |



WE ARE IB

WARRANTY

All IB Rubinetterie SpA products are warranted for 10 years from the date of purchase, for the following cases:

- Defects of casting, porosity and chrome plating.
- Operating defects caused by incorrect fabrication.

The warranty provides for repair or replacement of products with fabrication defects recognized by our technical office. There is no other type of compensation anche the merchandise must be returned FOB our warehouse. The warranty only cover surface defects (scartches, dings, etc.) on fitting that have not been installed and used, returned in its original packaging with all components. O-ring, gasket seals and components subject to wear proportional to use are warranted for 2 years.

The warranty is void in the following cases:

Error installing and putting the product into service.

Deterioration of finished surfaces due to use of cleaning products containing acids or abrasive substances. Deterioration of surface with finishes other than chrome plating. Their durability is, in fact, dependent on the user's care and gentleness of use.

Deterioration of the fitting due incorrect installation.

Improper repairs and maintenance performed without the company's prior authorization.

The warranty from IB Rubinetterie SpA is not renewable.

Cleaning

We recommended cleaning the finish surfaces with water and soap, using a soft cloth.

Do not use detergents that contain hydrochloric acid or abrasive substances.