

Collection

AQUA

Article

EUA226EO_1

Description

Plate and handles trimkit

Box Dimensions

420x180x90 mm

Weight

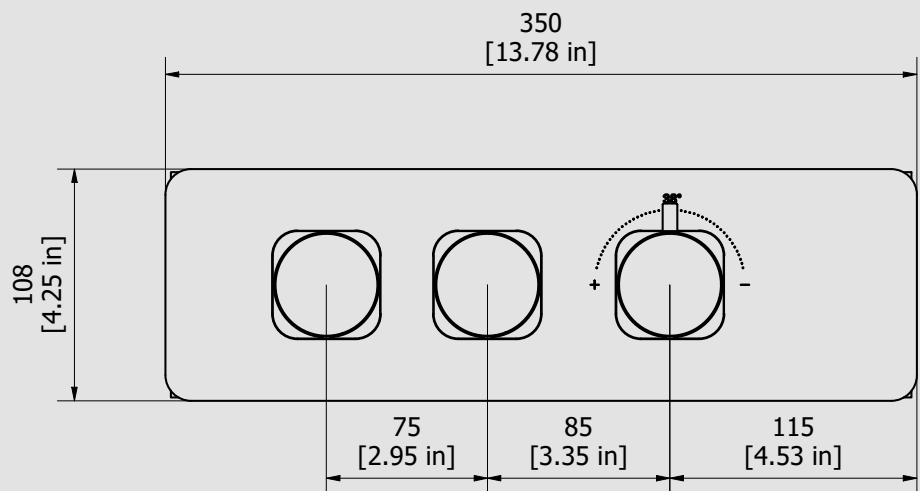
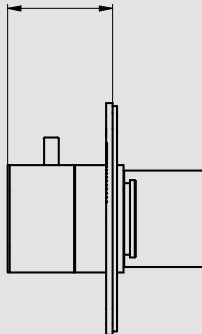
3.9 kg

Finishes

- **CC**
CHROME
- **PL**
PLATINUM
- **SS**
BRUSHED
NICKEL
- **ON**
NATURAL
BRASS
- **BO**
MATT
WHITE
- **NP**
MATT
BLACK
- **CF**
BLACK
CHROME
- **CS**
BRUSHED
BLACK
CHROME
- **II**
PALE
GOLD
- **IS**
BRUSHED
PALE GOLD
- **RS**
ROSE
GOLD
- **SR**
BRUSHED
ROSE GOLD
- **OO**
GOLD
- **OS**
BRUSHED
GOLD
- **RR**
ANTIQUÉ
COPPER
- **MB**
MODERN
BRONZE

Dimensions

MIN 38 mm [1.49 in]
MAX 48 mm [1.88 in]



Cartridge

-

Threaded fitting

-

Aerator

-

Flow Rate (+/-10%)

1 BAR
l/m

2 BAR
l/m

3 BAR
l/m

Production

Main body is a machined from a solid pieces

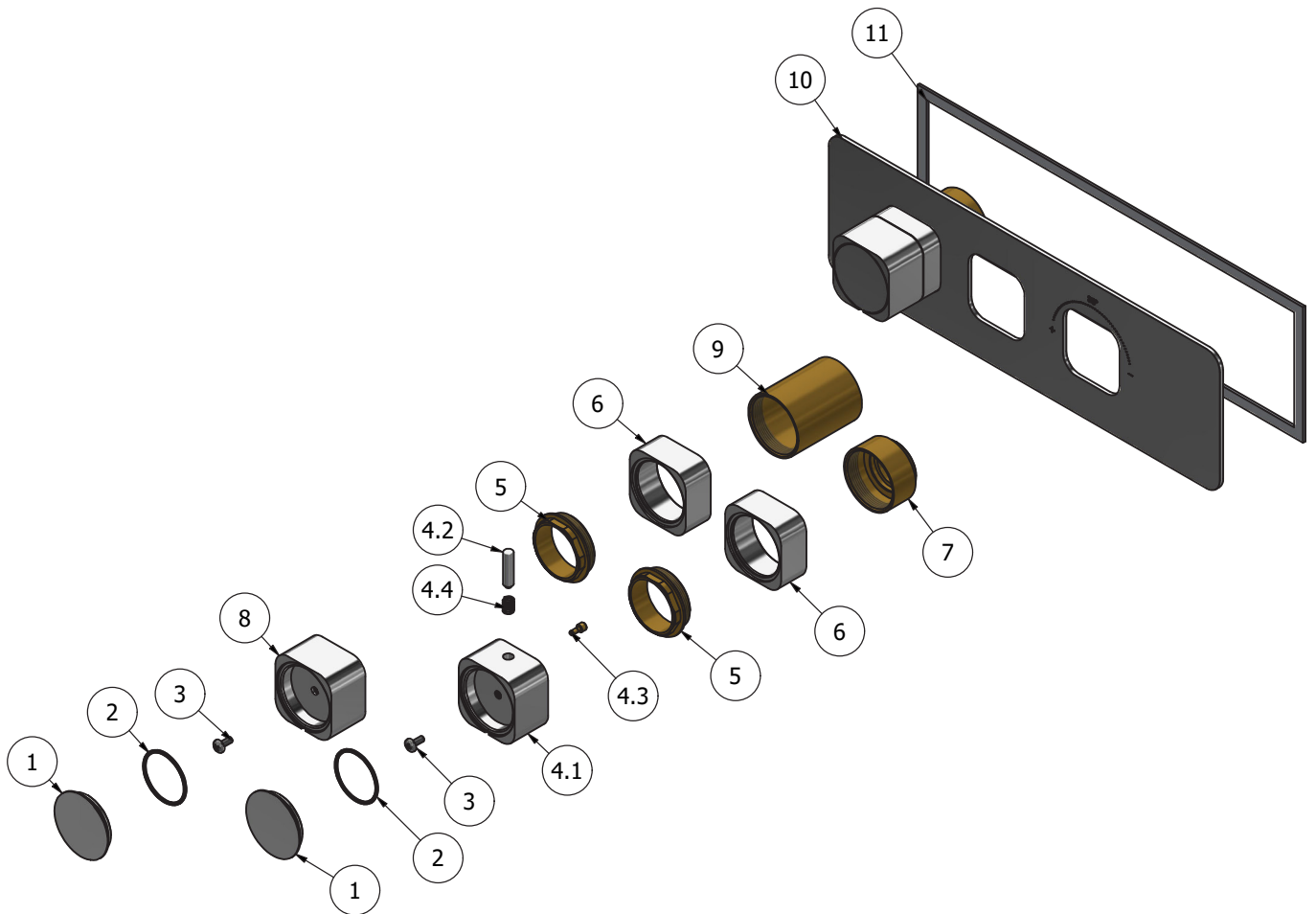
Material

BRASS
According to CuZn39Pb3 (CW614N)
Max Lead content: 2.5%



WE ARE IB

Parts list				
ITEMS	CODE	DESCRIPTION	FIN	QTÀ
1	AC0017859	Plug Ø47.5 H6.5	F	3
2	AQ0006497	OR 34.65x1.78 NBR 70 SH	-	3
3	AQ0002160	Screw M4x10	-	3
4	CP17860CC-1	Preassembled thermo handle	F	1
4.1	AC0017860	Handle termo 50x50 H30 Z20	F	1
4.2	AC0011424	Plug for thermo handle H27	F	1
4.3	AS0007045	Pin for thermo lever button Ø6 H11.6	G	1
4.4	AQ0008086	Spring for thermo plug Ø6 F0.5 L8.5	G	1
5	AS0017864	Nut Ø47.5 M42x1.5 H14.5	G	3
6	AC0017856	Sqaure ring 50x50 H22.5	F	3
7	AS0017857	Support Ø45 H24.8 M36x1.5 M42x1.5	G	1
8	AC0017865	Handle 50x50 H30.5 Z40	F	2
9	AS0017855	Flange for regulation tap Ø45 H56.8	G	2
10	ACGC17868_O	Plate 350x108x3 50.5x50.5 orizz °C	F	1
11	AQ0014222	Rubber packing double-sided tape 345x105x2	-	1





WE ARE IB

WARRANTY

All IB Rubinetterie SpA products are warranted for 10 years from the date of purchase, for the following cases:

- Defects of casting, porosity and chrome plating.
- Operating defects caused by incorrect fabrication.

The warranty provides for repair or replacement of products with fabrication defects recognized by our technical office. There is no other type of compensation anche the merchandise must be returned FOB our warehouse. The warranty only cover surface defects (scartches, dings, etc.) on fitting that have not been installed and used, returned in its original packaging with all components. O-ring, gasket seals and components subject to wear proportional to use are warranted for 2 years.

The warranty is void in the following cases:

Error installing and putting the product into service.

Deterioration of finished surfaces due to use of cleaning products containing acids or abrasive substances.

Deterioration of surface with finishes other than chrome plating. Their durability is, in fact, dependent on the user's care and gentleness of use.

Deterioration of the fitting due incorrect installation.

Improper repairs and maintenance performed without the company's prior authorization.

The warranty from IB Rubinetterie SpA is not renewable.

Cleaning

We recommended cleaning the finish surfaces with water and soap, using a soft cloth.

Do not use detergents that cointain hydrochloric acid or abrasive substances.