

Collection

AQUA

Article

EUA322MR_1

Description

Plate and handles trimkit

Box Dimensions

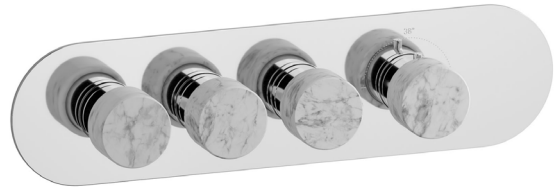
530x135x95 mm

Weight

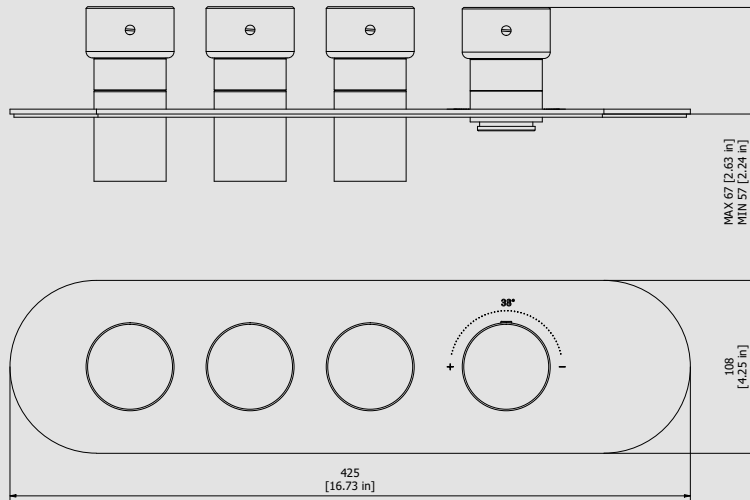
4.8 kg

Finishes

- **CC**
CHROME
- **PL**
PLATINUM
- **SS**
BRUSHED
NICKEL
- **ON**
NATURAL
BRASS
- **BO**
MATT
WHITE
- **NP**
MATT
BLACK
- **CF**
BLACK
CHROME
- **CS**
BRUSHED
BLACK
CHROME
- **II**
PALE
GOLD
- **IS**
BRUSHED
PALE GOLD
- **RS**
ROSE
GOLD
- **SR**
BRUSHED
ROSE GOLD
- **OO**
GOLD
- **OS**
BRUSHED
GOLD
- **RR**
ANTIQUÉ
COPPER
- **MB**
MODERN
BRONZE



Dimensions



Cartridge

-

Threaded fitting

-

Aerator

-

Flow Rate (+/-10%)

1 BAR
l/m

2 BAR
l/m

3 BAR
l/m

Production

Main body is a machined from a solid pieces

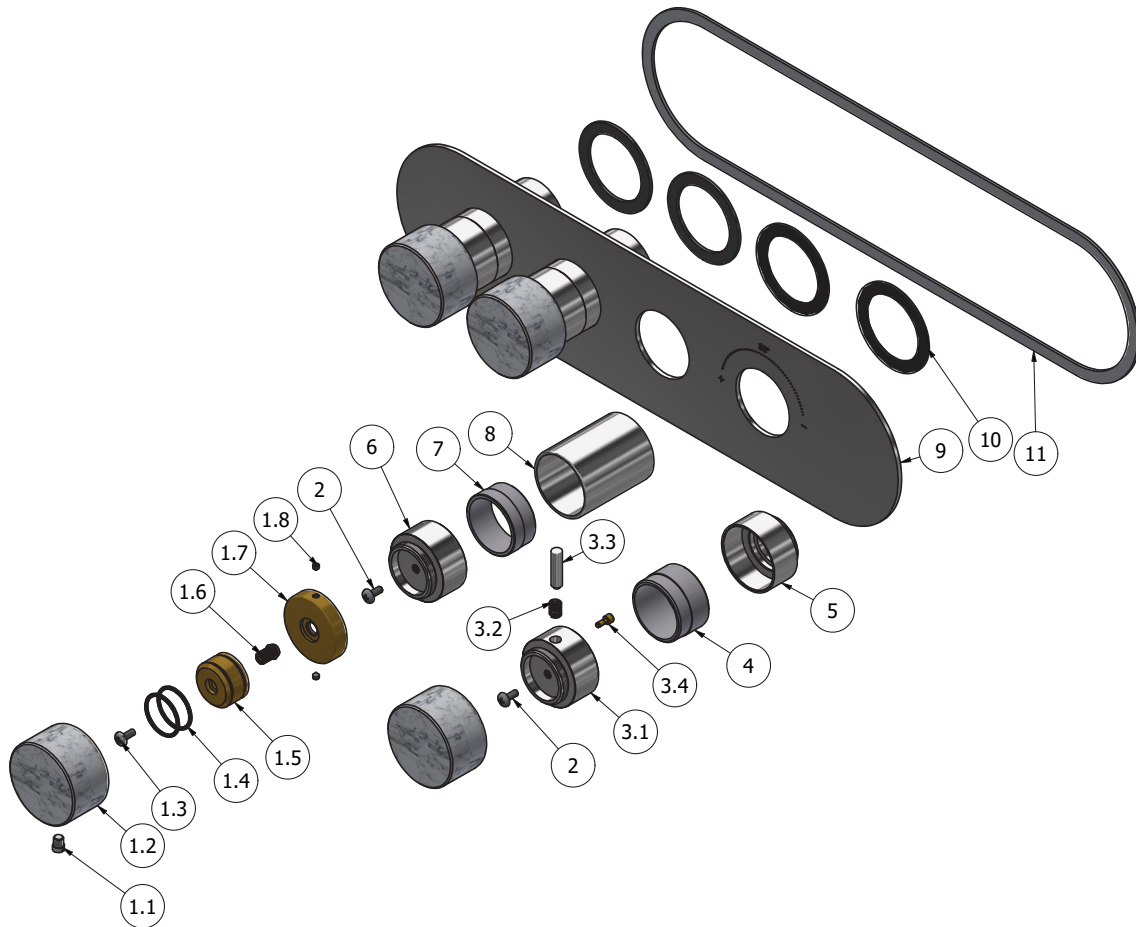
Material

BRASS
According to CuZn39Pb3 (CW614N)
Max Lead content: 2.5%



WE ARE IB

ELENCO PARTI			
ELEMENTO	CODICE	DESCRIZIONE	QTÀ
1	CP12526CC-1	Maniglia termo marmo bianco	4
1.1	AQ0015557	Vite Ø7.1 M6 H9 bianca	1
1.2	AQ0014946	Copertura marmo Ø55 H32	1
1.3	AQ0002160	Vite inox testa croce M4x10 ISO 7045	1
1.4	AQ0006586	OR 25.12x1.78 NBR 70 SH	2
1.5	AS0012526	Maniglia Ø29.9 H19	1
1.6	AS0011128	Broccia per maniglia termo	1
1.7	AS0010828	Corpo maniglia termo Ø45 Ø15.7 M8 H9.6	1
1.8	AQ0001082	Grano inox M4x4 p.c.	2
2	AQ0002160	Vite inox testa croce M4x10 ISO 7045	4
3	CP7043CCXN_1	Maniglia regolazione termo completa	1
3.1	AC0007043	Corpo maniglia regolazione termo	1
3.2	AQ0008086	Molla pulsante termo Ø6 F0.5 L8.5	1
3.3	AC0011424	Pulsante maniglia termo H27	1
3.4	AS0007045	Perno Ø6 H11.6	1
4	AS0013025	Bussola Ø40.95 Ø41.95 H25	1
5	AC0011535	Supporto Ø45 M36x1.5 H24.5	1
6	AC0007042	Corpo maniglia portata termo	3
7	AS0013024	Bussola Ø40.95 Ø40.35 H18.5	3
8	AC0011537	Scorriflangia Ø45 H56.7	3
9	ACGC11985_O	Piastra 425x108x3 4 fori °C orizzontale	1
10	AQ0013943	Guarnizione adesiva Ø60xØ45 H2	4
11	AQ0014221	Guarnizione biadesiva 420x105x8x2	1





WE ARE IB

WARRANTY

All IB Rubinetterie SpA products are warranted for 10 years from the date of purchase, for the following cases:

- Defects of casting, porosity and chrome plating.
- Operating defects caused by incorrect fabrication.

The warranty provides for repair or replacement of products with fabrication defects recognized by our technical office. There is no other type of compensation anche the merchandise must be returned FOB our warehouse. The warranty only cover surface defects (scartches, dings, etc.) on fitting that have not been installed and used, returned in its original packaging with all components. O-ring, gasket seals and components subject to wear proportional to use are warranted for 2 years.

The warranty is void in the following cases:

Error installing and putting the product into service.

Deterioration of finisched surfaces due to use of cleaning products containing acids or abrasive substances.

Deterioration of surface with finishes other than chrome plating. Their durability is, in fact, dependent on the user's care and gentleness of use.

Deterioration of the fitting due incorrect installation.

Improper repairs and maintenance performed without the company's prior authorization.

The warranty from IB Rubinetterie SpA is not renewable.

Cleaning

We recommended cleaning the finish surfaces with water and soap, using a soft cloth.

Do not use detergents that cointain hydrochloric acid or abrasive substances.