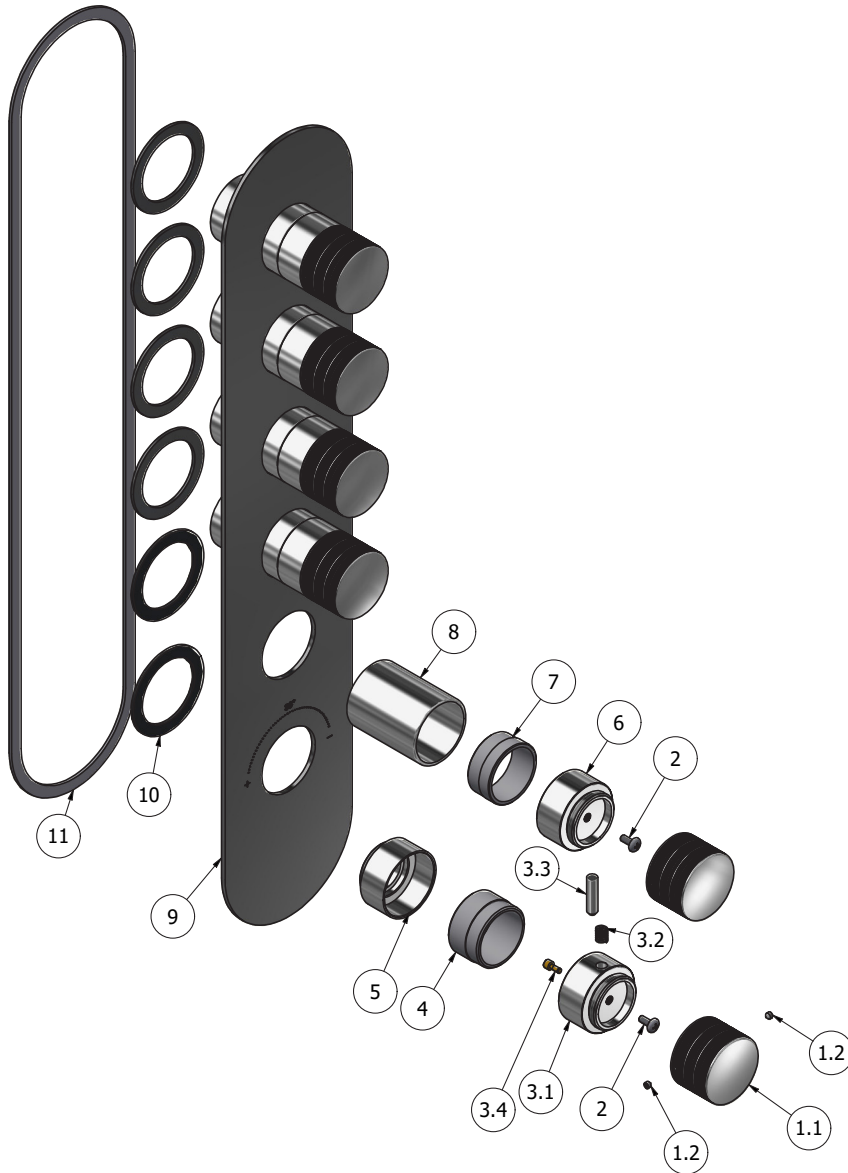




WE ARE IB

Parts list				
ITEMS	CODE	DESCRIPTION	FIN	QT
1	CP18070CC-1	Pre Assembled handle Ø45 H30	-	6
1.1	AC0018070	Handle Ø45 H30	F	1
1.2	AQ0001082	Grubscrew M4x4 cone point	-	2
2	AQ0002160	Screw M4x10	-	6
3	CP7043CCXN_1	Thermo regulaton handle body	-	1
3.1	AC0007043	Handle thermoregulation	F	1
3.2	AQ0008086	Spring for thermo plug Ø6 F0.5 L8.5	G	1
3.4	AS0007045	Pin for thermo lever button Ø6 H11.6	G	1
3.3	AC0011424	Plug for thermo handle H27	F	1
4	AS0013025	Centering bush Ø40.95 Ø41.95 H25	-	1
5	AC0011535	Support Ø45 H25.5 M36x1.5	F	1
6	AC0007042	Capacity handle body	F	5
7	AS0013024	Centering bush Ø40.95 Ø40.35 H18.5	-	5
8	AC0011537	Flange for regulation tap Ø45 H56.7	F	5
9	ACGC13120	Plate 575x108x3 6 holes elli °C	F	1
10	AQ0013943	Rubber packing Ø60xØ45 H2	-	6
11	AQ0015836	Rubber packing double-sided tape 570x105x8x2	-	1





WE ARE IB

WARRANTY

All IB Rubinetterie SpA products are warranted for 10 years from the date of purchase, for the following cases:

- Defects of casting, porosity and chrome plating.
- Operating defects caused by incorrect fabrication.

The warranty provides for repair or replacement of products with fabrication defects recognized by our technical office. There is no other type of compensation anche the merchandise must be returned FOB our warehouse. The warranty only cover surface defects (scartches, dings, etc.) on fitting that have not been installed and used, returned in its original packaging with all components. O-ring, gasket seals and components subject to wear proportional to use are warranted for 2 years.

The warranty is void in the following cases:

Error installing and putting the product into service.

Deterioration of finished surfaces due to use of cleaning products containing acids or abrasive substances.

Deterioration of surface with finishes other than chrome plating. Their durability is, in fact, dependent on the user's care and gentleness of use.

Deterioration of the fitting due incorrect installation.

Improper repairs and maintenance performed without the company's prior authorization.

The warranty from IB Rubinetterie SpA is not renewable.

Cleaning

We recommended cleaning the finish surfaces with water and soap, using a soft cloth.

Do not use detergents that cointain hydrochloric acid or abrasive substances.