

Collection

## AQUA

Article

### EUA712MR\_1

Description

#### Plate and handles trimkit

Box Dimensions

420x180x90 mm

Weight

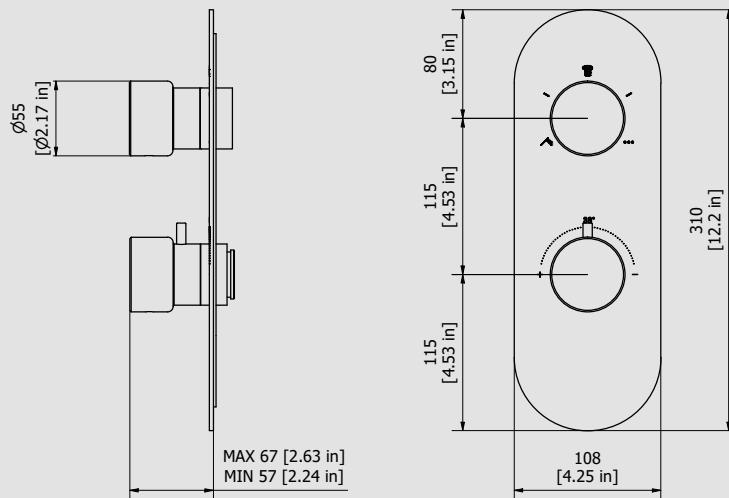
3.5 kg

Finishes

- **CC**  
CHROME
- **PL**  
PLATINUM
- **SS**  
BRUSHED  
NICKEL
- **ON**  
NATURAL  
BRASS
- **BO**  
MATT  
WHITE
- **NP**  
MATT  
BLACK
- **CF**  
BLACK  
CHROME
- **CS**  
BRUSHED  
BLACK  
CHROME
- **II**  
PALE  
GOLD
- **IS**  
BRUSHED  
PALE GOLD
- **RS**  
ROSE  
GOLD
- **SR**  
BRUSHED  
ROSE GOLD
- **OO**  
GOLD
- **OS**  
BRUSHED  
GOLD
- **RR**  
ANTIQUÉ  
COPPER
- **MB**  
MODERN  
BRONZE



Dimensions



Cartridge

-

Threaded fitting

-

Aerator

-

Flow Rate (+/-10%)

**1 BAR**  
l/m

**2 BAR**  
l/m

**3 BAR**  
l/m

Production

Main body is a machined from a solid pieces

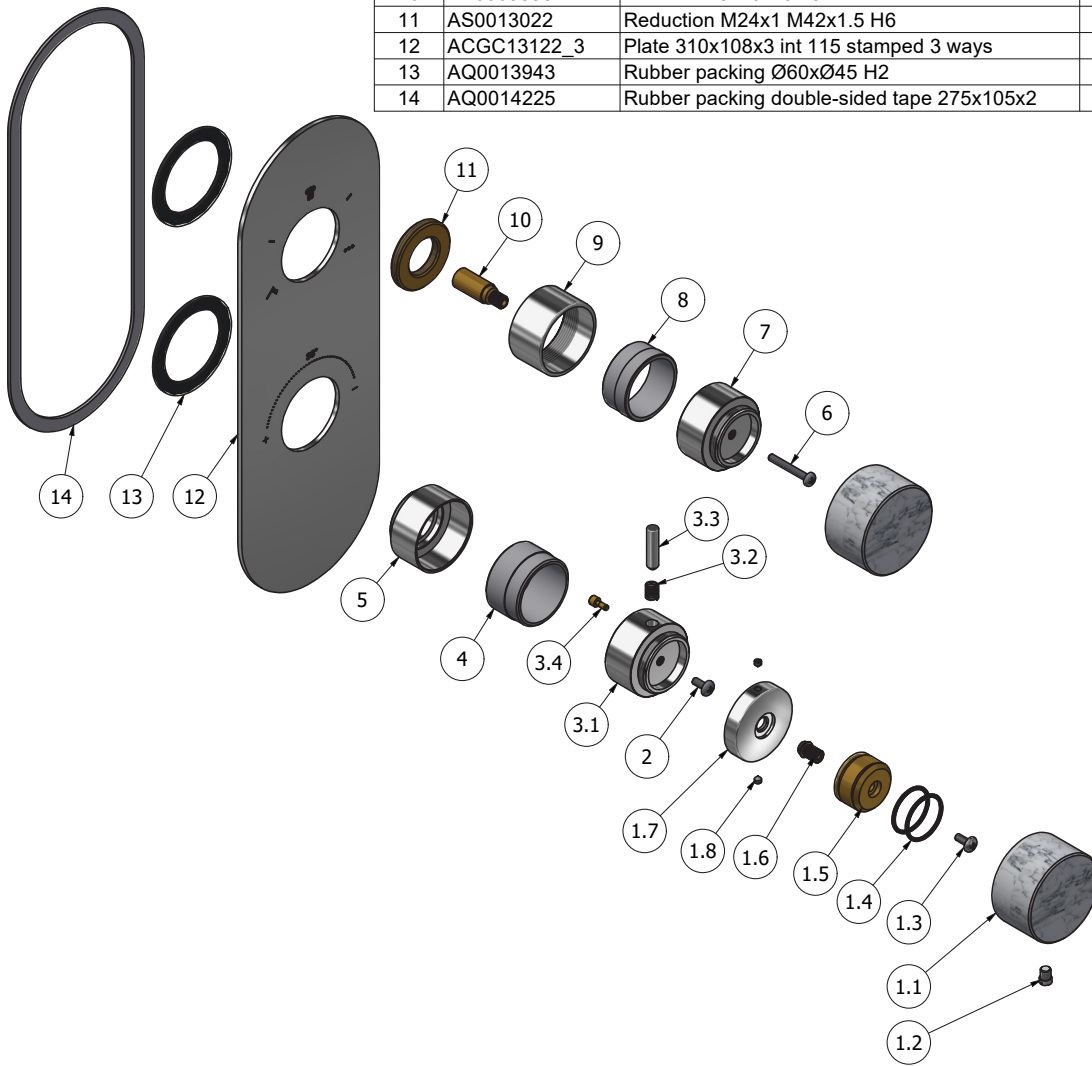
Material

**BRASS**  
According to CuZn39Pb3 (CW614N)  
Max Lead content: 2.5%



WE ARE IB

Parts list				
ITEMS	CODE	DESCRIPTION	FIN	QTÀ
1	CP12526CC-1	White marble handle	-	2
1.1	AQ0014946	Marble cover Ø55 H32	-	1
1.2	AQ0015557	Screw Ø7.1 M6 H9 white	-	1
1.3	AQ0002160	Screw M4x10	-	1
1.4	AQ0006586	OR 25.12x1.78 NBR 70 SH	-	2
1.5	AS0012526	Handle Ø29.9 H19	G	1
1.6	AS0011128	Broach for thermostatic handle	G	1
1.7	AS0010828	Thermo handle body Ø45 Ø15.7 M8 H9.6	G	1
1.8	AQ0001082	Grubscrew M4x4 cone point	-	2
2	AQ0002160	Screw M4x10	-	1
3	CP7043CCXN_1	Thermo regulaton handle body	-	1
3.1	AC0007043	Handle thermoregulation	F	1
3.2	AQ0008086	Spring for thermo plug Ø6 F0.5 L8.5	G	1
3.3	AC0011424	Plug for thermo handle H27	F	1
3.4	AS0007045	Pin for thermo lever button Ø6 H11.6	G	1
4	AS0013025	Centering bush Ø40.95 Ø41.95 H25	-	1
5	AC0011535	Support Ø45 H25.5 M36x1.5	F	1
6	AQ0009809	Inox screw M4x30	-	1
7	AC0007042	Capacity handle body	F	1
8	AS0013024	Centering bush Ø40.95 Ø40.35 H18.5	-	1
9	AC0013023	Ring Ø45 H23.6 M42x1.5	F	1
10	AS0009598	Extension 8x20 H34.8	G	1
11	AS0013022	Reduction M24x1 M42x1.5 H6	G	1
12	ACGC13122_3	Plate 310x108x3 int 115 stamped 3 ways	F	1
13	AQ0013943	Rubber packing Ø60xØ45 H2	-	2
14	AQ0014225	Rubber packing double-sided tape 275x105x2	-	1





WE ARE IB

### **WARRANTY**

All IB Rubinetterie SpA products are warranted for 10 years from the date of purchase, for the following cases:

- Defects of casting, porosity and chrome plating.
- Operating defects caused by incorrect fabrication.

The warranty provides for repair or replacement of products with fabrication defects recognized by our technical office. There is no other type of compensation anche the merchandise must be returned FOB our warehouse. The warranty only cover surface defects (scartches, dings, etc.) on fitting that have not been installed and used, returned in its original packaging with all components. O-ring, gasket seals and components subject to wear proportional to use are warranted for 2 years.

#### **The warranty is void in the following cases:**

Error installing and putting the product into service.

Deterioration of finisched surfaces due to use of cleaning products containing acids or abrasive substances.

Deterioration of surface with finishes other than chrome plating. Their durability is, in fact, dependent on the user's care and gentleness of use.

Deterioration of the fitting due incorrect installation.

Improper repairs and maintenance performed without the company's prior authorization.

The warranty from IB Rubinetterie SpA is not renewable.

#### **Cleaning**

We recommended cleaning the finish surfaces with water and soap, using a soft cloth.

Do not use detergents that cointain hydrochloric acid or abrasive substances.