



WE ARE IB

Collection

HERMES ELLE

Article

HL250_2

Description

Wall mounted bath filler complete with hand shower kit.

Box Dimensions

360x220x150 mm

Weight

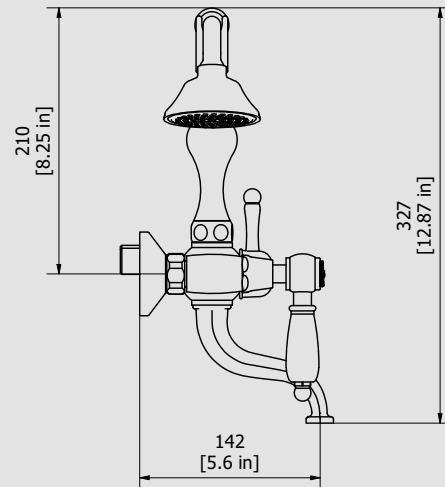
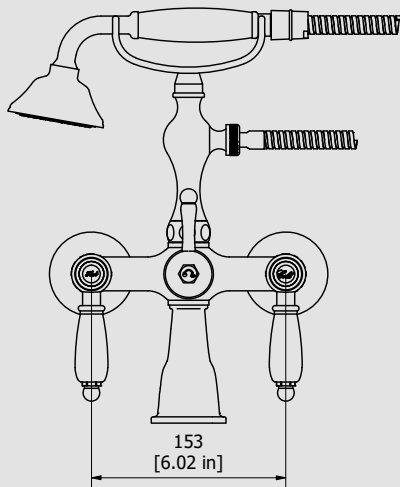
3.6 kg

Finishes

- **CC**
CHROME
- **PL**
PLATINUM
- **SS**
BRUSHED
NICKEL
- **ON**
NATURAL
BRASS
- **BO**
MATT
WHITE
- **NP**
MATT
BLACK
- **CF**
BLACK
CHROME
- **CS**
BRUSHED
BLACK
CHROME
- **II**
PALE
GOLD
- **IS**
BRUSHED
PALE GOLD
- **RS**
ROSE
GOLD
- **SR**
BRUSHED
ROSE GOLD
- **OO**
GOLD
- **OS**
BRUSHED
GOLD
- **RR**
ANTIQUÉ
COPPER
- **BB**
ANTIQUÉ
BRONZE



Dimensions



Cartridge

IB G1/2" Ceramic headworks

Threaded fitting

Treaded fitting G1/2" male

Aerator

No aerator, free outlet

Flow Rate (+/-10%)

1 BAR	2 BAR	3 BAR
23 l\m	32 l\m	37 l\m

Production

Main body is a single casted pieces.

Material

BRASS
According to CuZn40Pb3 (CW614N)
Max Lead content: 2.5%

IB RUBINETTERIE s.p.a
via dei Pianotti 3/5
25068 Sarezzo (BS) - Italy -

T. +39 030 802101
F. +39 030 803097
info@weareib.it

P.IVA 01785230986
capitale sociale
€420.000,00 i.v.

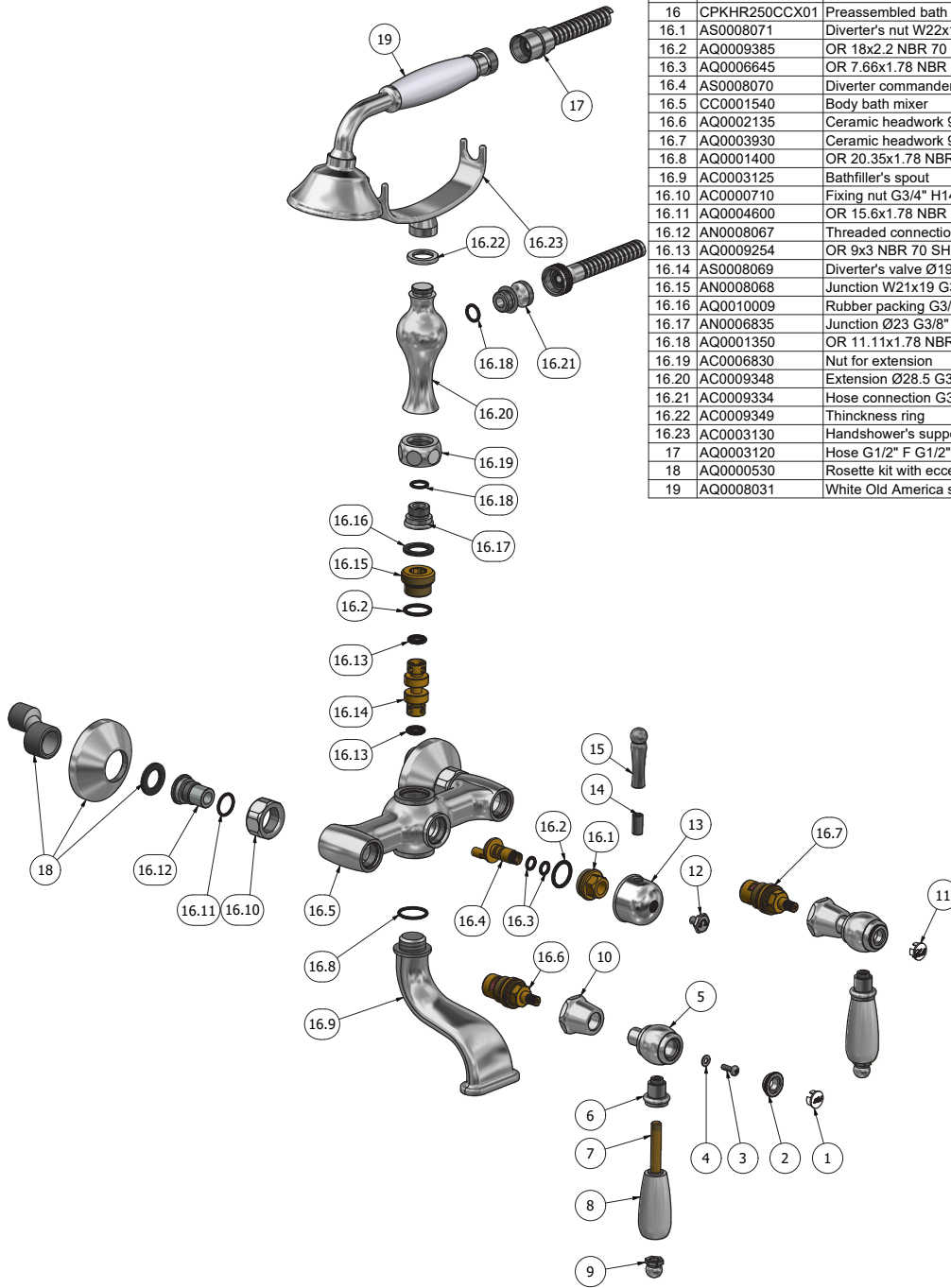
www.weareib.it





WE ARE IB

Parts list			
ITEMS	CODE	DESCRIPTION	FIN QTA
1	AQ0013551	Handle's plug hot	- 1
2	AQ0009069	Cover Ø20 PLS	F 2
3	AQ0010985	Inox screw M4x12	- 2
4	AQ0010229	Inox washer Ø4	- 2
5	AC0003397	Lever Ø31.5 H42	F 2
6	AC0004500	Insert for handle	F 2
7	AT0004520	Rod M8x1 L66	G 2
8	AQ0004525	Grip handle	- 2
9	AC0004510	Domed nut	F 2
10	AC0003100	Cap for headwork	F 2
11	AQ0013552	Handle's plug cold	- 1
12	AC0003160	Plug	F 1
13	AC0006778	Lever for diverter	F 1
14	AQ0006931	Grubscrew M8x16 flat point	- 1
15	AC0006777	Lever for deviator	F 1
16	CPKHR250CCX01	Preassembled bath filler	F 1
16.1	AS0008071	Diverter's nut W22x19	G 1
16.2	AQ0009385	OR 18x2.2 NBR 70 SH	- 2
16.3	AQ0006645	OR 7.66x1.78 NBR 70 SH	- 2
16.4	AS0008070	Diverter commander Ø19 H42.2	G 1
16.5	CC0001540	Body bath mixer	F 1
16.6	AQ0002135	Ceramic headwork 90° left	- 1
16.7	AQ0003930	Ceramic headwork 90° right	- 1
16.8	AQ0001400	OR 20.35x1.78 NBR 70 SH	- 1
16.9	AC0003125	Bathfiller's spout	F 1
16.10	AC0000710	Fixing nut G3/4" H14 CH30	F 2
16.11	AQ0004600	OR 15.6x1.78 NBR 70 SH	- 2
16.12	AN0008067	Threaded connection piece M18x1.5 H28.6	N 2
16.13	AQ0009254	OR 9x3 NBR 70 SH	- 2
16.14	AS0008069	Diverter's valve Ø19 H44	G 1
16.15	AN0008068	Junction W21x19 G3/4" L18.8	N 1
16.16	AQ0010009	Rubber packing G3/4" 24x16x3	- 1
16.17	AN0006835	Junction Ø23 G3/8" L16	N 1
16.18	AQ0001350	OR 11.11x1.78 NBR 70 SH	- 2
16.19	AC0006830	Nut for extension	F 1
16.20	AC0009348	Extension Ø28.5 G3/8" H103.5	F 1
16.21	AC0009334	Hose connection G3/8" G1/2" L29	F 1
16.22	AC0009349	Thickness ring	F 1
16.23	AC0003130	Handshower's support	F 1
17	AQ0003120	Hose G1/2" F G1/2" cone L150	F 1
18	AQ0000530	Rosette kit with eccentric and rubber	F 2
19	AQ0008031	White Old America shower	F 1





WE ARE IB

WARRANTY

All IB Rubinetterie SpA products are warranted for 10 years from the date of purchase, for the following cases:

- Defects of casting, porosity and chrome plating.
- Operating defects caused by incorrect fabrication.

The warranty provides for repair or replacement of products with fabrication defects recognized by our technical office. There is no other type of compensation anche the merchandise must be returned FOB our warehouse. The warranty only cover surface defects (scartches, dings, etc.) on fitting that have not been installed and used, returned in its original packaging with all components. O-ring, gasket seals and components subject to wear proportional to use are warranted for 2 years.

The warranty is void in the following cases:

Error installing and putting the product into service.

Deterioration of finished surfaces due to use of cleaning products containing acids or abrasive substances. Deterioration of surface with finishes other than chrome plating. Their durability is, in fact, dependent on the user's care and gentleness of use.

Deterioration of the fitting due incorrect installation.

Improper repairs and maintenance performed without the company's prior authorization.

The warranty from IB Rubinetterie SpA is not renewable.

Cleaning

We recommended cleaning the finish surfaces with water and soap, using a soft cloth.

Do not use detergents that contain hydrochloric acid or abrasive substances.