



WE ARE IB

Collection

HERMES

Article

HR350

Description

Wall mounted shower mixer with shower kit

Box Dimensions

425x188x98 mm

Weight

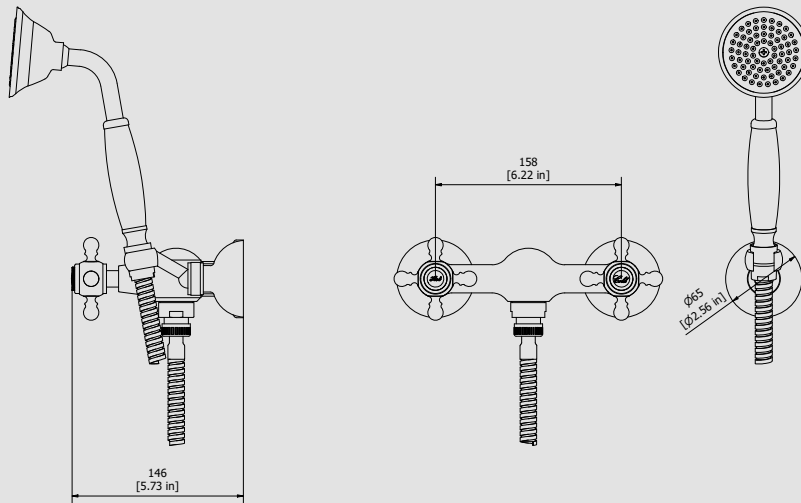
1.7 kg

Finishes

- **CC**
CHROME
- **PL**
PLATINUM
- **SS**
BRUSHED
NICKEL
- **ON**
NATURAL
BRASS
- **BO**
MATT
WHITE
- **NP**
MATT
BLACK
- **CF**
BLACK
CHROME
- **CS**
BRUSHED
BLACK
CHROME
- **II**
PALE
GOLD
- **IS**
BRUSHED
PALE GOLD
- **RS**
ROSE
GOLD
- **SR**
BRUSHED
ROSE GOLD
- **OO**
GOLD
- **OS**
BRUSHED
GOLD
- **RR**
ANTIQUÉ
COPPER
- **BB**
ANTIQUÉ
BRONZE



Dimensions



Cartridge

IB G1/2" ceramics headworks

Threaded fitting

Treaded fitting G1/2" male

Aerator

-

Flow Rate (+/-10%)

| | | |
|--------------|--------------|--------------|
| 1 BAR | 2 BAR | 3 BAR |
| 15 l\m | 21.5 l\m | 26 l\m |

Production

Main body is a single casted piece

Material

BRASS
According to CuZn35Pb2Al-B (CB752S)
Max Lead content:1.36%

IB RUBINETTERIE s.p.a
via dei Pianotti 3/5
25068 Sarezzo (BS) - Italy -

T. +39 030 802101
F. +39 030 803097
info@weareib.it

P.IVA 01785230986
capitale sociale
€420.000,00 i.v.

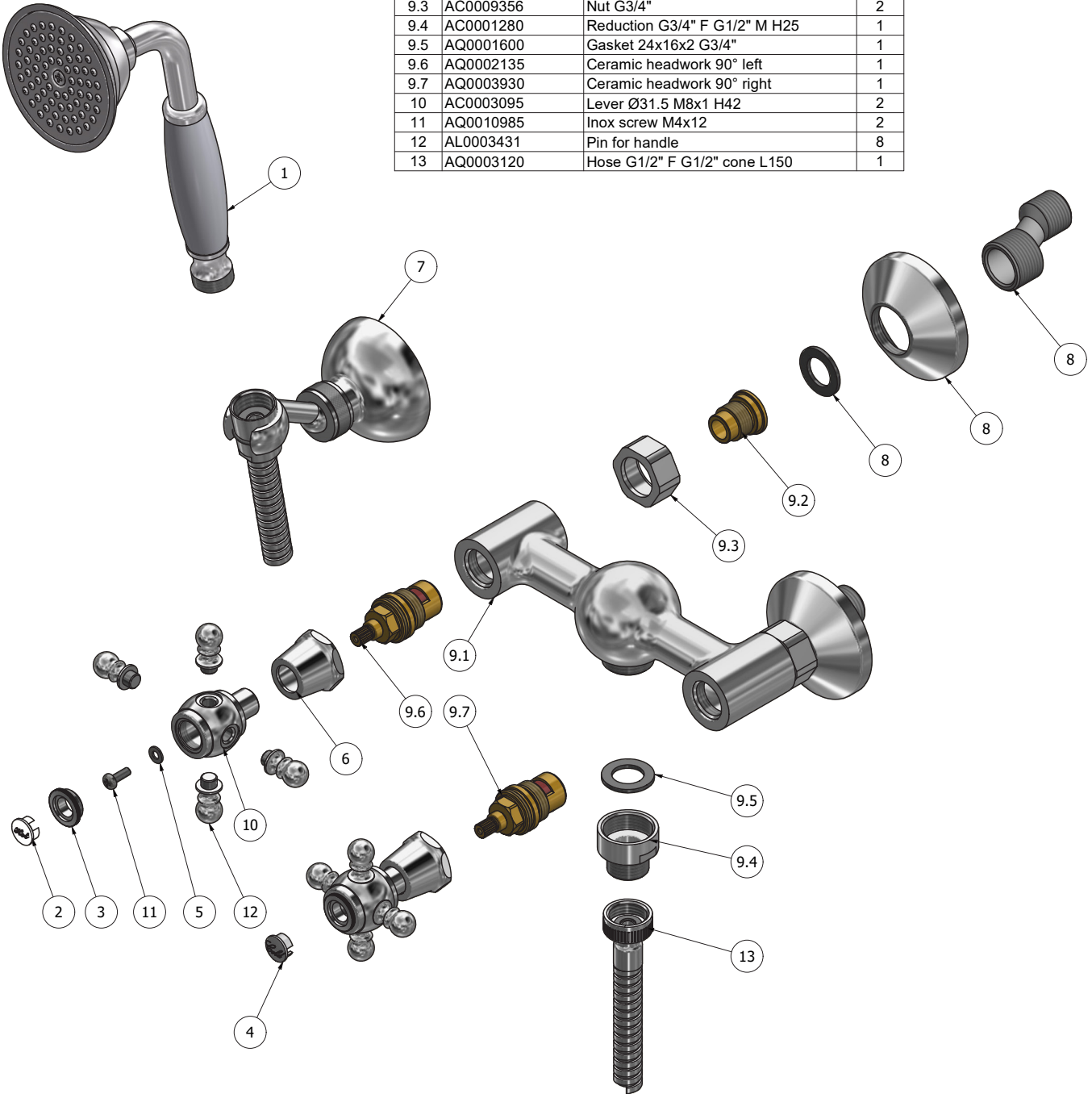
www.weareib.it





WE ARE IB

| Elenco parti | | | |
|--------------|---------------|---------------------------------------|-----|
| ELEM. | CODICE | NUMERO DI MAGAZZINO | QTÀ |
| 1 | AQ0008031 | Old America shower white | 1 |
| 2 | AQ0013551 | Handle's plug hot | 1 |
| 3 | AQ0009069 | Cover Ø20 PLS | 2 |
| 4 | AQ0013552 | Handle's plug cold | 1 |
| 5 | AQ0010229 | Inox washer Ø4 | 2 |
| 6 | AC0003100 | Cap for headwork | 2 |
| 7 | AQ0002000 | Support for head shower | 1 |
| 8 | AQ0000530 | Rosette kit with eccentric and rubber | 2 |
| 9 | CPKHR350CCX01 | Pre mounted shower | 1 |
| 9.1 | AQ0009652 | Body shower mixer | 1 |
| 9.2 | AS0009661 | Sede con OR H29.5 | 2 |
| 9.3 | AC0009356 | Nut G3/4" | 2 |
| 9.4 | AC0001280 | Reduction G3/4" F G1/2" M H25 | 1 |
| 9.5 | AQ0001600 | Gasket 24x16x2 G3/4" | 1 |
| 9.6 | AQ0002135 | Ceramic headwork 90° left | 1 |
| 9.7 | AQ0003930 | Ceramic headwork 90° right | 1 |
| 10 | AC0003095 | Lever Ø31.5 M8x1 H42 | 2 |
| 11 | AQ0010985 | Inox screw M4x12 | 2 |
| 12 | AL0003431 | Pin for handle | 8 |
| 13 | AQ0003120 | Hose G1/2" F G1/2" cone L150 | 1 |





WE ARE IB

WARRANTY

All IB Rubinetterie SpA products are warranted for 10 years from the date of purchase, for the following cases:

- Defects of casting, porosity and chrome plating.
- Operating defects caused by incorrect fabrication.

The warranty provides for repair or replacement of products with fabrication defects recognized by our technical office. There is no other type of compensation anche the merchandise must be returned FOB our warehouse. The warranty only cover surface defects (scatches, dings, etc.) on fitting that have not been installed and used, returned in its original packaging with all components. O-ring, gasket seals and components subject to wear proportional to use are warranted for 2 years.

The warranty is void in the following cases:

Error installing and putting the product into service.

Deterioration of finished surfaces due to use of cleaning products containing acids or abrasive substances. Deterioration of surface with finishes other than chrome plating. Their durability is, in fact, dependent on the user's care and gentleness of use.

Deterioration of the fitting due incorrect installation.

Improper repairs and maintenance performed without the company's prior authorization.

The warranty from IB Rubinetterie SpA is not renewable.

Cleaning

We recommended cleaning the finish surfaces with water and soap, using a soft cloth.

Do not use detergents that contain hydrochloric acid or abrasive substances.