

Collection

## HERMES

Article

### HR397

Description

**Four holes bath filler with overflow outlet connection, diverter and shower kit**

Box Dimensions

**360x220x150 mm**

Weight

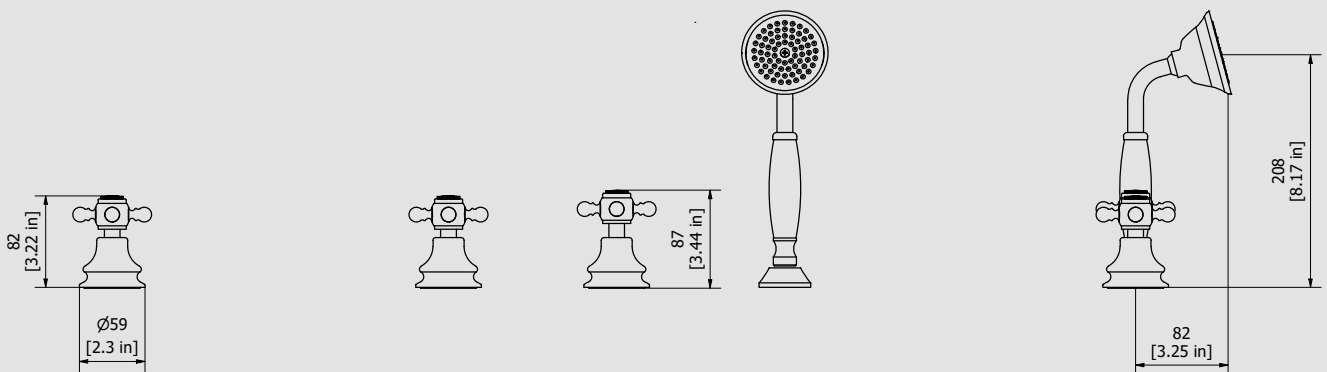
**5 kg**

Finishes

- **CC**  
CHROME
- **PL**  
PLATINUM
- **SS**  
BRUSHED  
NICKEL
- **ON**  
NATURAL  
BRASS
- **BO**  
MATT  
WHITE
- **NP**  
MATT  
BLACK
- **CF**  
BLACK  
CHROME
- **CS**  
BRUSHED  
BLACK  
CHROME
- **II**  
PALE  
GOLD
- **IS**  
BRUSHED  
PALE GOLD
- **RS**  
ROSE  
GOLD
- **SR**  
BRUSHED  
ROSE GOLD
- **OO**  
GOLD
- **OS**  
BRUSHED  
GOLD
- **RR**  
ANTIQUÉ  
COPPER
- **BB**  
ANTIQUÉ  
BRONZE



Dimensions



Cartridge

**IB G1/2" ceramics headworks**

Threaded fitting

**Treaded fitting G1/2" male**

Aerator

-

Flow Rate (+/-10%)

| 1 BAR    | 2 BAR    | 3 BAR    |
|----------|----------|----------|
| 19.7 l/m | 27.5 l/m | 33.1 l/m |

Production

**Main body is a single casted piece**

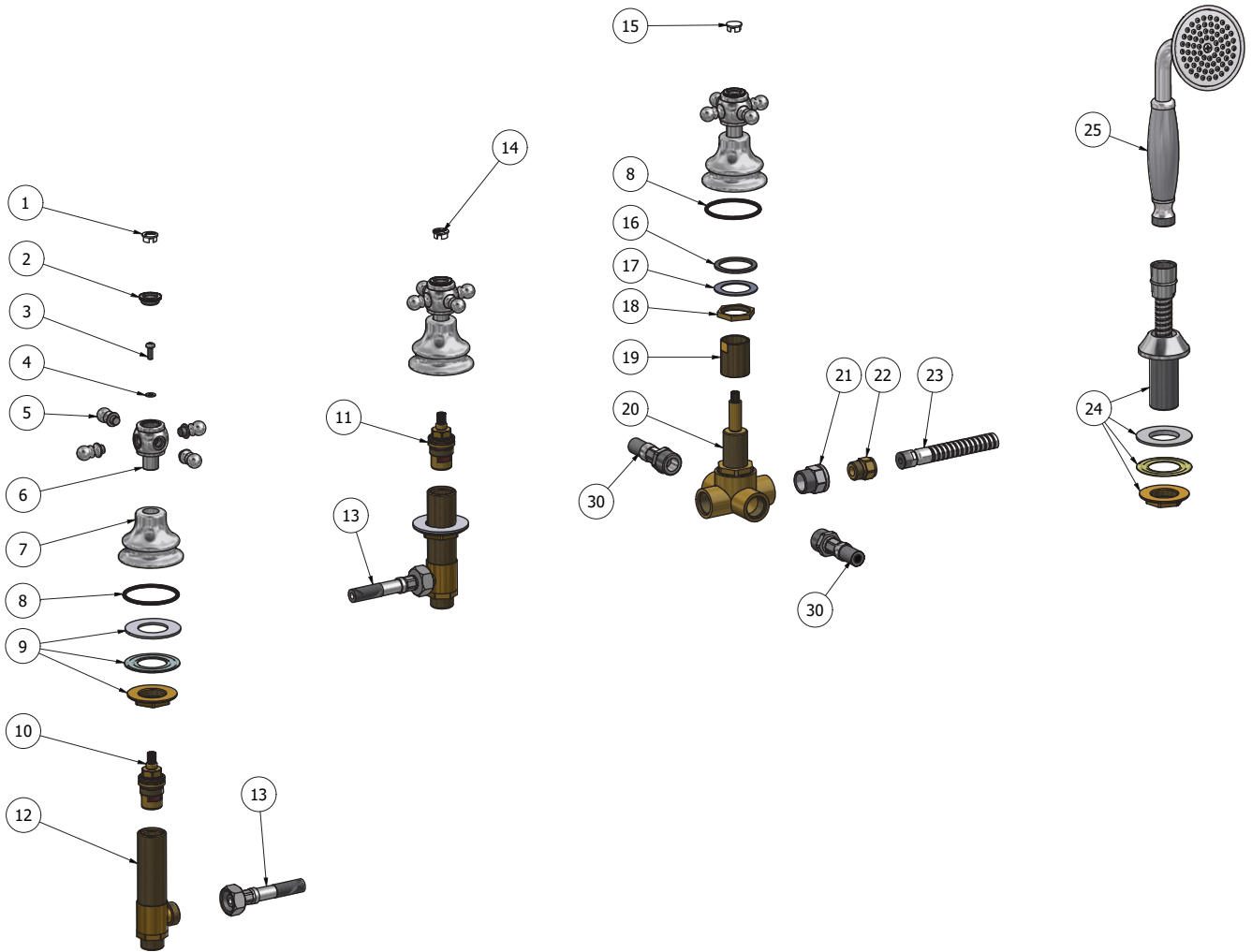
Material

**BRASS**  
According to CuZn35Pb2Al-B (CB752S)  
Max Lead content:1.36%



WE ARE IB

| Parts list |           |  |     |
|------------|-----------|--|-----|
| ITEMS      | CODE      | DESCRIPTION                                    | QTÀ |
| 1          | AQ0013551 | Handle's plug hot                              | 1   |
| 2          | AQ0009069 | Cover Ø20 PLS                                  | 3   |
| 3          | AQ0010985 | Vite inox M4x12 testa croce                    | 3   |
| 4          | AQ0010229 | Rondella inox per vite M4                      | 3   |
| 5          | AC0003431 | Pin for handle                                 | 12  |
| 6          | AC0003095 | Lever Ø31.5 M8x1 H42                           | 3   |
| 7          | AC0007131 | Bell Ø58.5 W26x19 H44.5                        | 3   |
| 8          | AQ0010096 | OR 45.7x2.62 NBR 70 SH                         | 3   |
| 9          | AQ0010271 | Fixing set                                     | 1   |
| 10         | AQ0002135 | Ceramic headwork 90° left                      | 1   |
| 11         | AQ0003930 | Ceramic headwork 90° right                     | 1   |
| 12         | AS0002250 | Washbasin upright W26x19                       | 2   |
| 13         | AQ0004760 | Flex inox G1/2" girevole L600                  | 2   |
| 14         | AQ0013552 | Handle's plug cold                             | 1   |
| 15         | AQ0013323 | Neutral handle's plug                          | 1   |
| 16         | AQ0009716 | Rubber packing 38x30x2                         | 1   |
| 17         | AQ0001650 | Inox washer 39 x 26,5 x 1                      | 1   |
| 18         | AS0002010 | Clamping nut 26 x 19 H5 CH30                   | 1   |
| 19         | AS0009995 | Bush for headwork W26 x 19 W22 x 19            | 1   |
| 20         | AQ0009455 | Diverter 2 in 2 out                            | 1   |
| 21         | AQ0004860 | Reduction G1/2" M G3/8" F                      | 1   |
| 22         | AS0009018 | Nipples G3/8" M15x1 H21.2                      | 1   |
| 23         | AQ0009456 | Flessibile M15x1 G1/2" cono L200               | 1   |
| 24         | AQ0006630 | Supporto doccia con set fissaggio già compreso | 1   |
| 25         | AQ0008031 | Doccia Old America                             | 1   |





WE ARE IB

### WARRANTY

All IB Rubinetterie SpA products are warranted for 10 years from the date of purchase, for the following cases:

- Defects of casting, porosity and chrome plating.
- Operating defects caused by incorrect fabrication.

The warranty provides for repair or replacement of products with fabrication defects recognized by our technical office. There is no other type of compensation anche the merchandise must be returned FOB our warehouse. The warranty only cover surface defects (scartches, dings, etc.) on fitting that have not been installed and used, returned in its original packaging with all components. O-ring, gasket seals and components subject to wear proportional to use are warranted for 2 years.

#### The warranty is void in the following cases:

Error installing and putting the product into service.

Deterioration of finished surfaces due to use of cleaning products containing acids or abrasive substances. Deterioration of surface with finishes other than chrome plating. Their durability is, in fact, dependent on the user's care and gentleness of use.

Deterioration of the fitting due incorrect installation.

Improper repairs and maintenance performed without the company's prior authorization.

The warranty from IB Rubinetterie SpA is not renewable.

#### Cleaning

We recommended cleaning the finish surfaces with water and soap, using a soft cloth.

Do not use detergents that contain hydrochloric acid or abrasive substances.