



WE ARE IB

Collection

HERMES

Article

HR398

Description

Five holes wall mounted bath filler with shower kit

Box Dimensions

370x270x80 mm

Weight

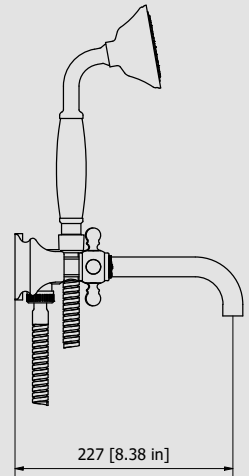
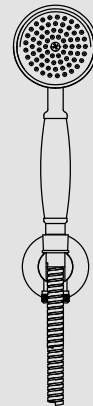
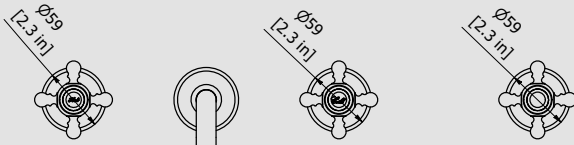
3.6 kg

Finishes

- **CC**
CHROME
- **PL**
PLATINUM
- **SS**
BRUSHED
NICKEL
- **ON**
NATURAL
BRASS
- **BO**
MATT
WHITE
- **NP**
MATT
BLACK
- **CF**
BLACK
CHROME
- **CS**
BRUSHED
BLACK
CHROME
- **II**
PALE
GOLD
- **IS**
BRUSHED
PALE GOLD
- **RS**
ROSE
GOLD
- **SR**
BRUSHED
ROSE GOLD
- **OO**
GOLD
- **OS**
BRUSHED
GOLD
- **RR**
ANTIQUÉ
COPPER
- **BB**
ANTIQUÉ
BRONZE



Dimensions



Cartridge

IB G1/2" ceramics headworks

Threaded fitting

Treaded fitting G1/2" male

Aerator

-

Flow Rate (+/-10%)

1 BAR	2 BAR	3 BAR
9 l/m	13 l/m	15 l/m

Production

Main body is a single casted piece

Material

BRASS
According to CuZn35Pb2Al-B (CB752S)
Max Lead content:1.36%

IB RUBINETTERIE s.p.a
via dei Pianotti 3/5
25068 Sarezzo (BS) - Italy -

T. +39 030 802101
F. +39 030 803097
info@weareib.it

P.IVA 01785230986
capitale sociale
€420.000,00 i.v.

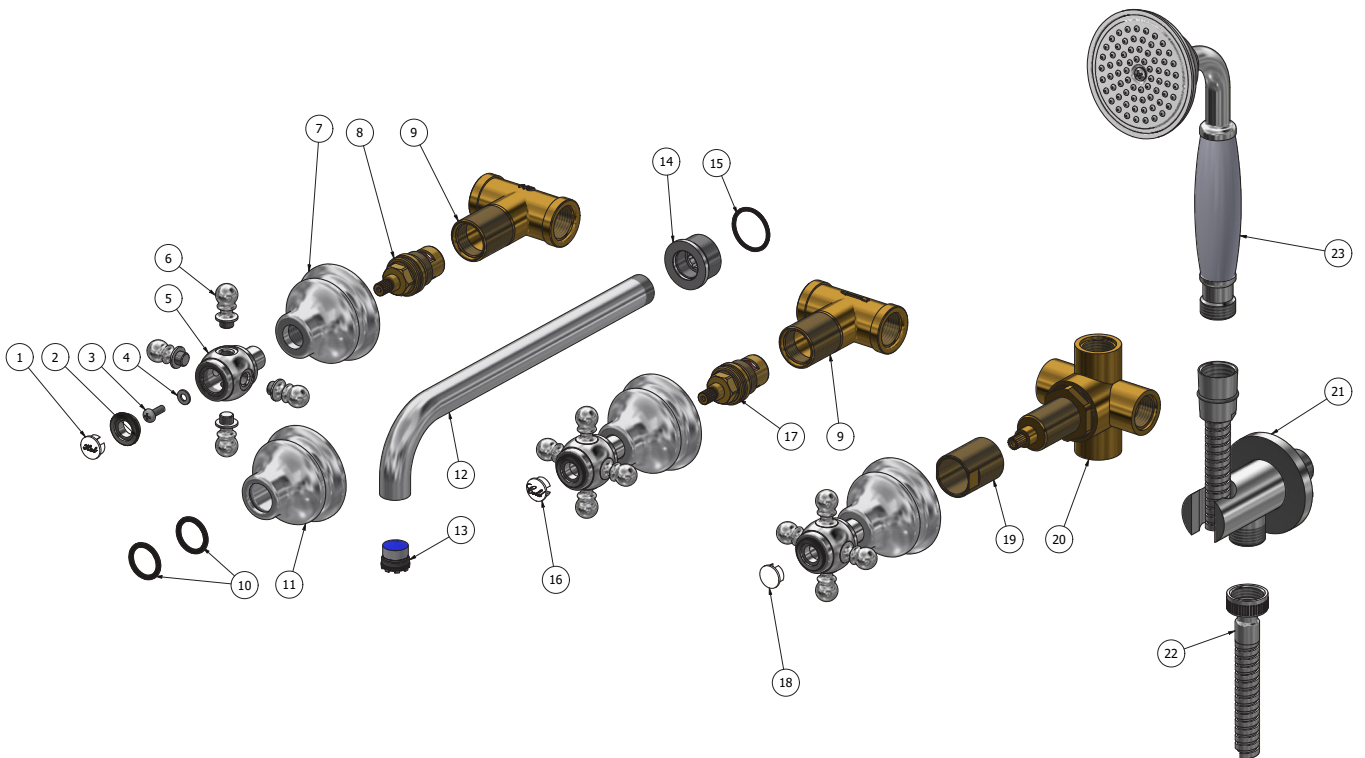
www.weareib.it





WE ARE IB

Elenco parti			
ELEM.	CODICE	NUMERO DI MAGAZZINO	QTA
1	AQ0013551	Handle's plug hot	1
2	AQ0009069	Cover Ø20 PLS	3
3	AQ0010985	Inox screw M4x12	3
4	AQ0010229	Inox washer Ø4	3
5	AC0003095	Lever Ø31.5 M8x1 H42	3
6	AC0003431	Pin for handle	12
7	AC0007131	Bell Ø58.5 W26x19 H44.5	3
8	AQ0002135	Ceramic headwork 90° left	1
9	CC0002005	Built-in stopcocks G1/2"	2
10	AQ0010978	OR 17.46x2.62 NBR 70 SH	2
11	AC0012298	Spout's bell Ø58.5 Ø18.5 H44.5	1
12	AC0011996	Spout-out M18x1 M16.5x1 Ø18 L244	1
13	AQ0014729	Aerator cachè M16.5x1 neostrahl (01.5175.000)	1
14	AC0012299	Insert for spout-out G3/4" M18x1 H18	1
15	AQ0010972	OR 23x2 NBR 70 SH	1
16	AQ0013552	Handle's plug cold	1
17	AQ0003930	Ceramic headwork 90° right	1
18	AQ0013323	Neutral handle's plug	1
19	AS0009995	Bush for headwork W26 x 19 W22 x 19	1
20	AQ0010279	Diverter 2 in - 2 out complete short	1
21	AQ0013638	Anaif round support	1
22	AQ0003120	Hose G1/2" F G1/2" cone L150	1
23	AQ0008031	White Old America shower	1



IB RUBINETTERIE s.p.a
via dei Pianotti 3/5
25068 Sarezzo (BS) - Italy -

T. +39 030 802101
F. +39 030 803097
info@weareib.it

P.IVA 01785230986
capitale sociale
€420.000,00 i.v.

www.weareib.it





WE ARE IB

WARRANTY

All IB Rubinetterie SpA products are warranted for 10 years from the date of purchase, for the following cases:

- Defects of casting, porosity and chrome plating.
- Operating defects caused by incorrect fabrication.

The warranty provides for repair or replacement of products with fabrication defects recognized by our technical office. There is no other type of compensation anche the merchandise must be returned FOB our warehouse. The warranty only cover surface defects (scatches, dings, etc.) on fitting that have not been installed and used, returned in its original packaging with all components. O-ring, gasket seals and components subject to wear proportional to use are warranted for 2 years.

The warranty is void in the following cases:

Error installing and putting the product into service.

Deterioration of finished surfaces due to use of cleaning products containing acids or abrasive substances. Deterioration of surface with finishes other than chrome plating. Their durability is, in fact, dependent on the user's care and gentleness of use.

Deterioration of the fitting due incorrect installation.

Improper repairs and maintenance performed without the company's prior authorization.

The warranty from IB Rubinetterie SpA is not renewable.

Cleaning

We recommended cleaning the finish surfaces with water and soap, using a soft cloth.

Do not use detergents that contain hydrochloric acid or abrasive substances.