



WE ARE IB

Collection

INDUSTRIA

Article

ID085_2

Description

Shower head

Box Dimensions

340x180x70 mm

Weight

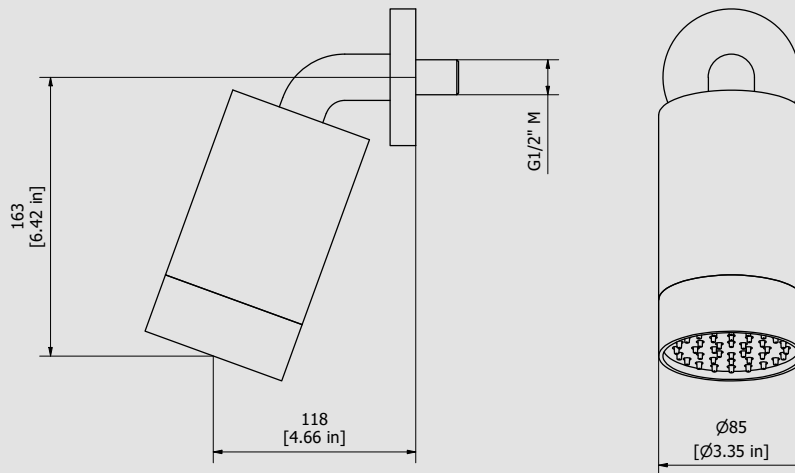
2.5 kg

Finishes

- **CC** CHROME
- **PL** PLATINUM
- **SS** BRUSHED NICKEL
- **ON** NATURAL BRASS
- **BO** MATT WHITE
- **NP** MATT BLACK
- **CF** BLACK CHROME
- **CS** BRUSHED BLACK CHROME
- **II** PALE GOLD
- **IS** BRUSHED PALE GOLD
- **RS** ROSE GOLD
- **SR** BRUSHED ROSE GOLD
- **OO** GOLD
- **OS** BRUSHED GOLD
- **RR** ANTIQUE COPPER
- **MB** MODERN BRONZE



Dimensions



Cartridge

-

Threaded fitting

G1/2" Male

Aerator

-

Flow Rate (+/-10%)

1 BAR	2 BAR	3 BAR
6 l/m	8 l/m	8 l/m

Production

Main body is a machined from a solid pieces

Material

BRASS
According to CuZn39Pb3 (CW614N)
Max lead content: 2.5%

IB RUBINETTERIE s.p.a
via dei Pianotti 3/5
25068 Sarezzo (BS) - Italy -

T. +39 030 802101
F. +39 030 803097
info@weareib.it

P.IVA 01785230986
capitale sociale
€420.000,00 i.v.

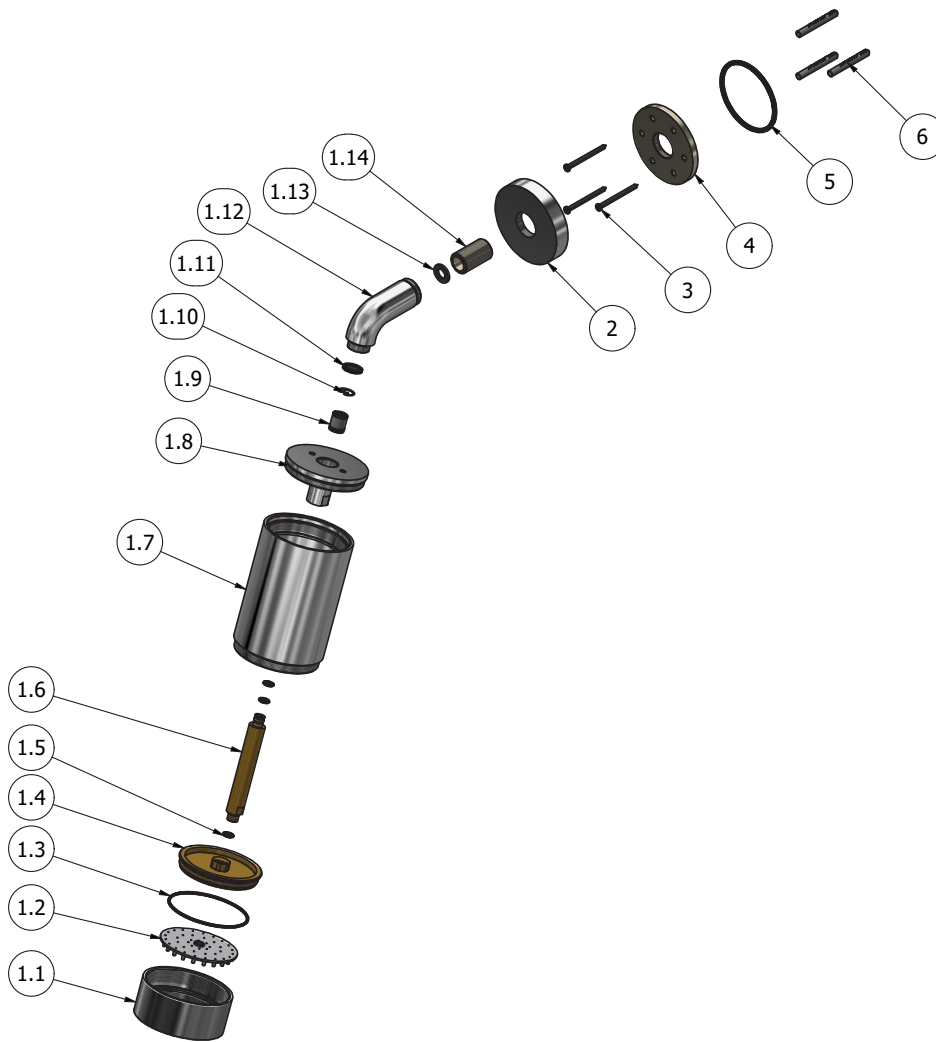
www.weareib.it





WE ARE IB

Parts list				
ITEMS	CODE	DESCRIPTION	FIN	QTÀ
1	CPID085CCN_2	Pre-assembled shower head	F	1
1.1	AC0018038	Flange Ø85 H35 M80x1.5 knurled	F	1
1.2	AQ0016231_2	Shower diffuser	-	1
1.3	AQ0017987	OR 72.75x1.78 NBR 70 SH	-	1
1.4	AS0017992	Fixing flange Ø78 M75x1.5 H13	G	1
1.5	AQ0001330	OR 6.75x1.78 NBR 70 SH	-	3
1.6	AS0017991	Insert Ø15 M10x1 H106	G	1
1.7	AC0017990	Showerhead body Ø85 M80x1.5 H125	F	1
1.8	AC0017989	Upper flange Ø77.5 M75x1.5 H40	F	1
1.9	AQ0010445	Flow reduction valve 8 LT Ø14 (31.4186.00001)	-	1
1.10	AQ0009678	Elastic ring AISI 302	-	1
1.11	AQ0010360	Rubber packing 1/2" H2 with filter	-	1
1.12	CC0002929	Spout-out Ø27 L60	F	1
1.13	AQ0003080	Rubber G1/2"	-	1
1.14	AN0011845	Threaded stem G1/2" L35	N	1
2	AQ0013888	Rosette Ø80 H15	F	1
3	AQ0017575	Self-tapping screw Ø3,9x50 TC cross	-	3
4	AN0011844	Fixing plate Ø78 H6.5 M26x1	N	1
5	AQ0013897	OR 65.09x3.53 NBR 70 SH	-	1
6	AQ0017577	Fischer Ø6 H50	-	3





WE ARE IB

WARRANTY

All IB Rubinetterie SpA products are warranted for 10 years from the date of purchase, for the following cases:

- Defects of casting, porosity and chrome plating.
- Operating defects caused by incorrect fabrication.

The warranty provides for repair or replacement of products with fabrication defects recognized by our technical office. There is no other type of compensation anche the merchandise must be returned FOB our warehouse. The warranty only cover surface defects (scartches, dings, etc.) on fitting that have not been installed and used, returned in its original packaging with all components. O-ring, gasket seals and components subject to wear proportional to use are warranted for 2 years.

The warranty is void in the following cases:

Error installing and putting the product into service.

Deterioration of finished surfaces due to use of cleaning products containing acids or abrasive substances. Deterioration of surface with finishes other than chrome plating. Their durability is, in fact, dependent on the user's care and gentleness of use.

Deterioration of the fitting due incorrect installation.

Improper repairs and maintenance performed without the company's prior authorization.

The warranty from IB Rubinetterie SpA is not renewable.

Cleaning

We recommended cleaning the finish surfaces with water and soap, using a soft cloth.

Do not use detergents that contain hydrochloric acid or abrasive substances.