

Collection

## INDUSTRIA

Article

### ID320\_23

Description

#### Wall mounted spout

Box Dimensions

150x190x98 mm

Weight

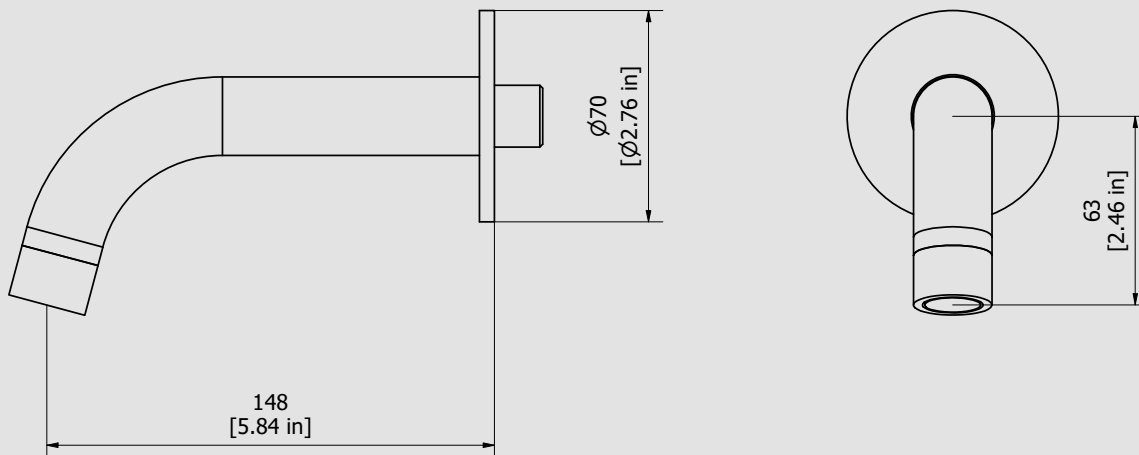
0.2 kg

Finishes

- **CC**  
CHROME
- **PL**  
PLATINUM
- **SS**  
BRUSHED  
NICKEL
- **ON**  
NATURAL  
BRASS
- **BO**  
MATT  
WHITE
- **NP**  
MATT  
BLACK
- **CF**  
BLACK  
CHROME
- **CS**  
BRUSHED  
BLACK  
CHROME
- **II**  
PALE  
GOLD
- **IS**  
BRUSHED  
PALE GOLD
- **RS**  
ROSE  
GOLD
- **SR**  
BRUSHED  
ROSE GOLD
- **OO**  
GOLD
- **OS**  
BRUSHED  
GOLD
- **RR**  
ANTIQUÉ  
COPPER
- **MB**  
MODERN  
BRONZE



Dimensions



Cartridge

Threaded fitting

G1/2" male

Aerator

M24x1

Flow Rate (+/-10%)

1 BAR  
6.5 l/m

2 BAR  
8 l/m

3 BAR  
8 l/m

Production

Main body is a single hot stamped pieces

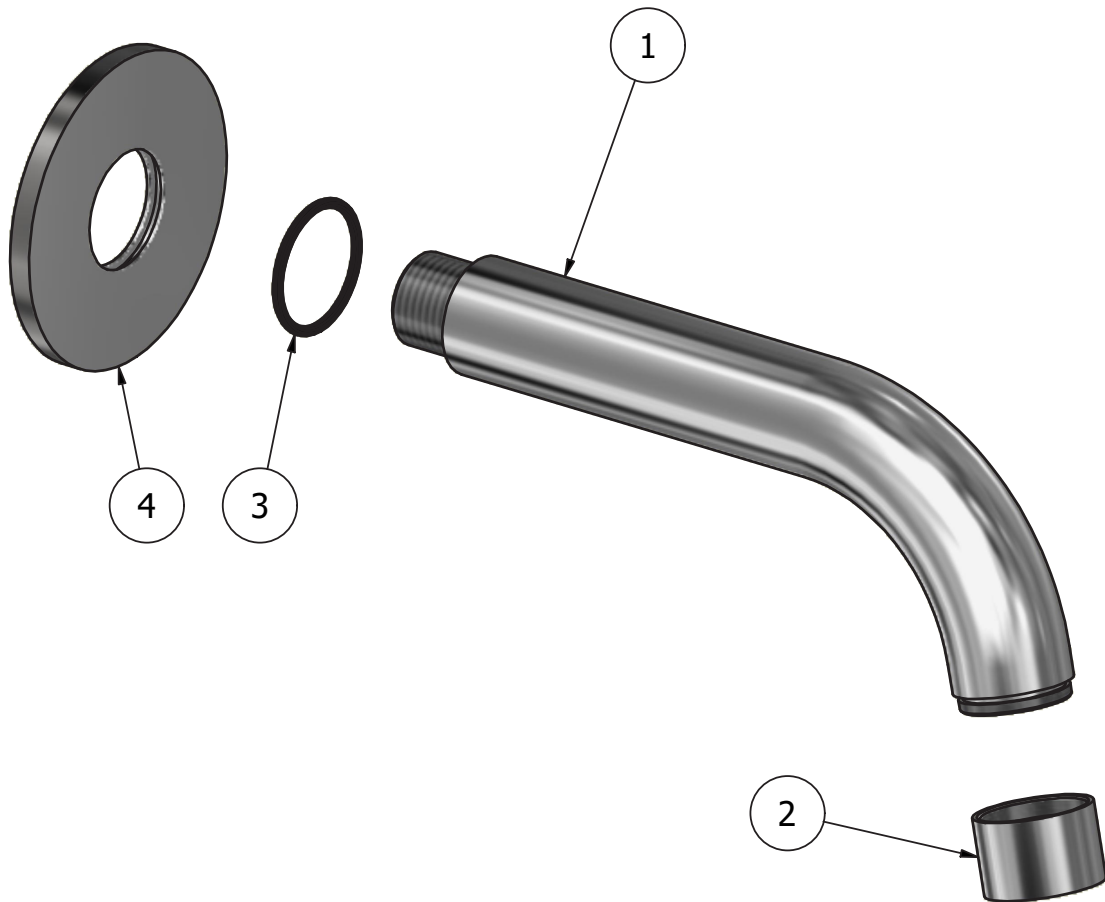
Material

**BRASS**  
According to CuZn42 (CW510L)  
Max Lead content: 0.2%



WE ARE **IB**

Parts list				
ITEMS	CODE	DESCRIPTION	FIN	QTÀ
1	AC0012558	Spout-out Ø26 L145	F	1
2	AQ0014681	Aerator Ø26 H17 M24x1 (40.1053.33300)	F	1
3	AQ0009421	OR 26x2 NBR 70 SH	-	1
4	AC0018091-TI	Rosette Ø70 Ø26.5 H5 knurled	F	1





WE ARE IB

### **WARRANTY**

All IB Rubinetterie SpA products are warranted for 10 years from the date of purchase, for the following cases:

- Defects of casting, porosity and chrome plating.
- Operating defects caused by incorrect fabrication.

The warranty provides for repair or replacement of products with fabrication defects recognized by our technical office. There is no other type of compensation anche the merchandise must be returned FOB our warehouse. The warranty only cover surface defects (scatches, dings, etc.) on fitting that have not been installed and used, returned in its original packaging with all components. O-ring, gasket seals and components subject to wear proportional to use are warranted for 2 years.

#### **The warranty is void in the following cases:**

Error installing and putting the product into service.

Deterioration of finished surfaces due to use of cleaning products containing acids or abrasive substances. Deterioration of surface with finishes other than chrome plating. Their durability is, in fact, dependent on the user's care and gentleness of use.

Deterioration of the fitting due incorrect installation.

Improper repairs and maintenance performed without the company's prior authorization.

The warranty from IB Rubinetterie SpA is not renewable.

#### **Cleaning**

We recommended cleaning the finish surfaces with water and soap, using a soft cloth.

Do not use detergents that contain hydrochloric acid or abrasive substances.