

Collection

INDUSTRIA

Article

ID350

Description

Wall mounted shower mixer.

Box Dimensions

370x270x80 mm

Weight

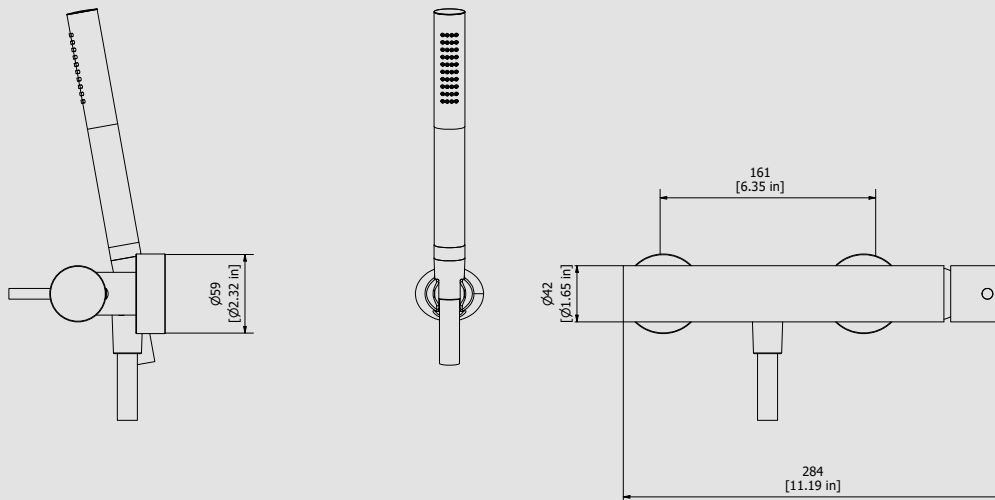
3.9 kg

Finishes

- **CC**
CHROME
- **PL**
PLATINUM
- **SS**
BRUSHED
NICKEL
- **ON**
NATURAL
BRASS
- **BO**
MATT
WHITE
- **NP**
MATT
BLACK
- **CF**
BLACK
CHROME
- **CS**
BRUSHED
BLACK
CHROME
- **II**
PALE
GOLD
- **IS**
BRUSHED
PALE GOLD
- **RS**
ROSE
GOLD
- **SR**
BRUSHED
ROSE GOLD
- **OO**
GOLD
- **OS**
BRUSHED
GOLD
- **RR**
ANTIQUÉ
COPPER
- **BB**
MODERN
BRONZE



Dimensions



Cartridge

Ø35 ceramic cartridge

Threaded fitting

G1/2" male

Aerator

Flow Rate (+/-10%)

1 BAR
12.5 l/m

2 BAR
17.5 l/m

3 BAR
21 l/m

Production

Main body is a machined from a solid pieces

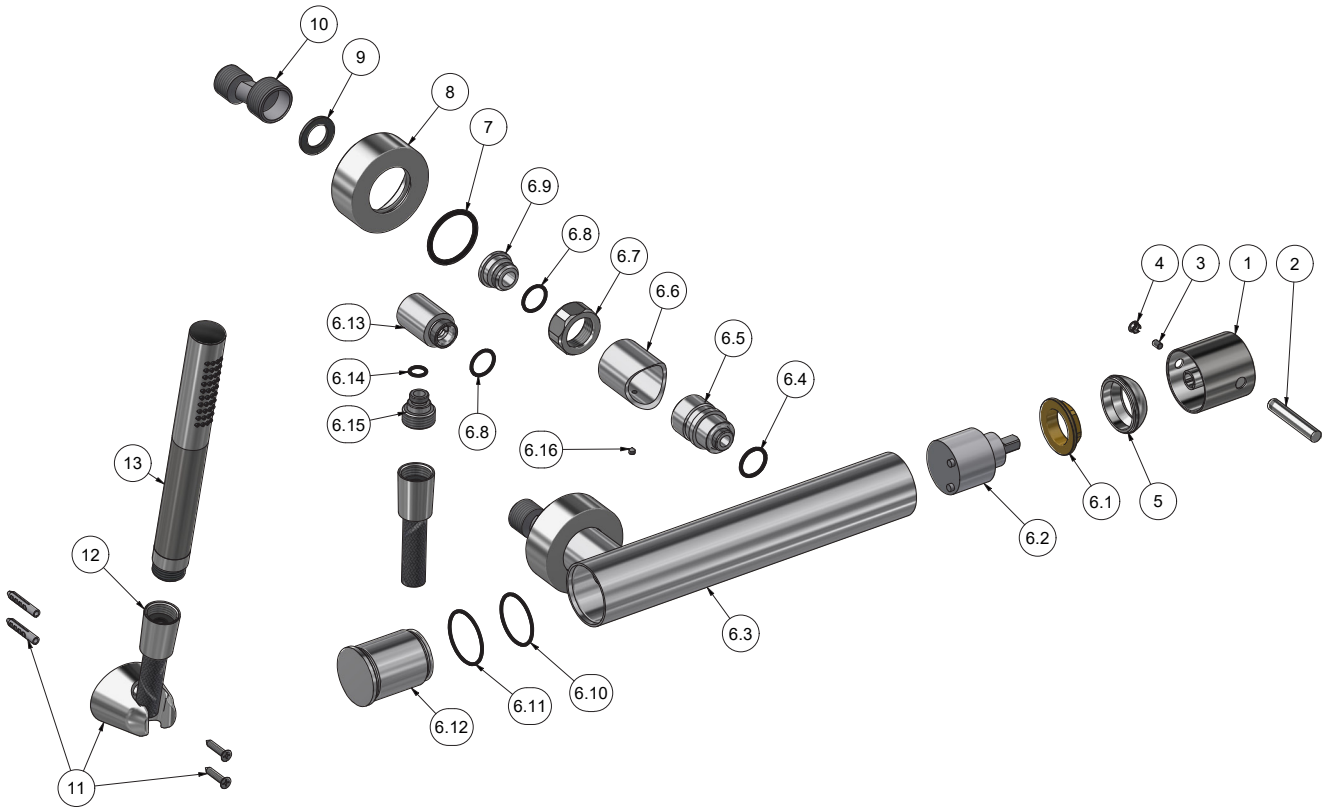
Material

BRASS
According to CuZn39Pb3 (CW614N)
Max Lead content: 2.5%



WE ARE IB

Parts list				
ITEMS	CODE	DESCRIPTION	FIN	QTÀ
1	AC0015906	Handle Ø42 H39 7.2x8.2 M8 knurled	F	1
2	AC0014230	Rod Ø8 H47 M8x1.25	F	1
3	AQ0001081	Grubscrew M4x6 flat point	-	1
4	AQ0006650	Plug cover Ø7	F	1
5	AQ0012068	Chromed cover nut Ø38.2 M37x1.5	F	1
6	CPKMT350CCX01	Preassembled wall-mounted shower mixer	F	1
6.1	AQ0001040	Cartridge ring nut M37x1.5 H9	G	1
6.2	AQ0009810	Cartridge wout/d Ø35	-	1
6.3	AC0010805	Shower mixer body Ø42 L240	F	1
6.4	AQ0009841	OR 17x2 NBR 70 SH	-	2
6.5	AN0009713	Seal extension for bath shower M14x1.5 SX	N	2
6.6	AC0009710	Seal sleeve for bath shower Ø32 Ø26.8 H36.6	F	2
6.7	AC0000710	Fixing nut G3/4" H14 CH30	F	2
6.8	AQ0004600	OR 15.6x1.78 NBR 70 SH	-	3
6.9	AN0001931	Threaded connection piece M18x1.5 L H15.8	N	2
6.10	AQ0009816	OR 31.47x1.78 NBR 70 SH	-	1
6.11	AQ0008026	OR 33.05x1.78 NBR 70 SH	-	1
6.12	AC0010791	Plug for body Ø39 H48.2 M14x1.5 sx	F	1
6.13	AC0010797	Elbow M18X1 M12X1	F	1
6.14	AQ0001340	OR 8.73x1.78 NBR 70 SH	-	1
6.15	AC0010794	Shower connection piece G1/2" M12x1 H20.5 CH12	F	1
6.16	AQ0001082	Grubscrew M4x4 cone point	-	2
7	AQ0016669	OR 32.2x3 NBR 70 SH	-	2
8	AC0010178	Rosette for bath	F	2
9	AQ0001600	Gasket 24x16x2 G3/4"	-	2
10	AQ0009886	Eccentric H.36	G	2
11	AQ0010935	Handshower support	F	1
12	AQ0018056	Flex sapon G1/2" F L150cm Silver	F	1
13	AQ0015375	Union shower Ø23	F	1





WE ARE IB

WARRANTY

All IB Rubinetterie SpA products are warranted for 10 years from the date of purchase, for the following cases:

- Defects of casting, porosity and chrome plating.
- Operating defects caused by incorrect fabrication.

The warranty provides for repair or replacement of products with fabrication defects recognized by our technical office. There is no other type of compensation anche the merchandise must be returned FOB our warehouse. The warranty only cover surface defects (scatches, dings, etc.) on fitting that have not been installed and used, returned in its original packaging with all components. O-ring, gasket seals and components subject to wear proportional to use are warranted for 2 years.

The warranty is void in the following cases:

Error installing and putting the product into service.

Deterioration of finished surfaces due to use of cleaning products containing acids or abrasive substances. Deterioration of surface with finishes other than chrome plating. Their durability is, in fact, dependent on the user's care and gentleness of use.

Deterioration of the fitting due incorrect installation.

Improper repairs and maintenance performed without the company's prior authorization.

The warranty from IB Rubinetterie SpA is not renewable.

Cleaning

We recommended cleaning the finish surfaces with water and soap, using a soft cloth.

Do not use detergents that contain hydrochloric acid or abrasive substances.