

Collection

INDUSTRIA

Article

ID392

Description

Three holes washbasin.

Box Dimensions

370x270x80 mm

Weight

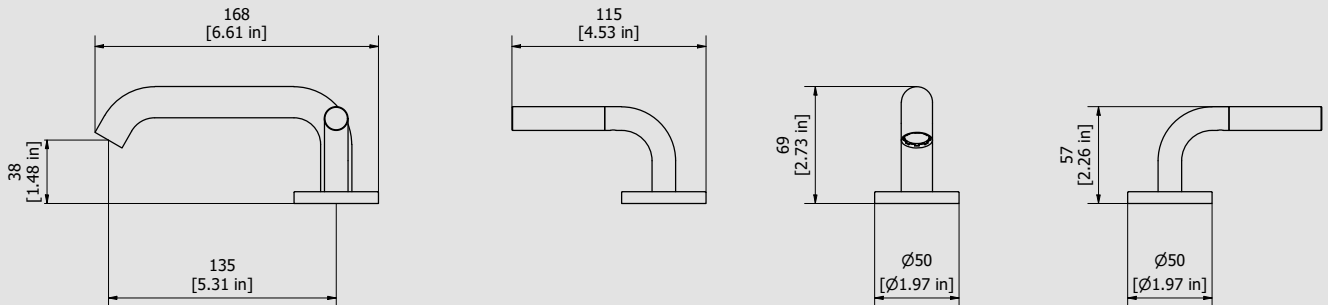
3 kg



Finishes

- **CC**
CHROME
- **PL**
PLATINUM
- **SS**
BRUSHED
NICKEL
- **ON**
NATURAL
BRASS
- **BO**
MATT
WHITE
- **NP**
MATT
BLACK
- **CF**
BLACK
CHROME
- **CS**
BRUSHED
BLACK
CHROME
- **II**
PALE
GOLD
- **IS**
BRUSHED
PALE GOLD
- **RS**
ROSE
GOLD
- **SR**
BRUSHED
ROSE GOLD
- **OO**
GOLD
- **OS**
BRUSHED
GOLD
- **RR**
ANTIQUÉ
COPPER
- **MB**
MODERN
BRONZE

Dimensions



Cartridge

G1/2" ceramic headwork

Threaded fitting

G1/2" male

Aerator

M16.5x1

Flow Rate (+/-10%)

1 BAR
5.5 l/m

2 BAR
6 l/m

3 BAR
6 l/m

Production

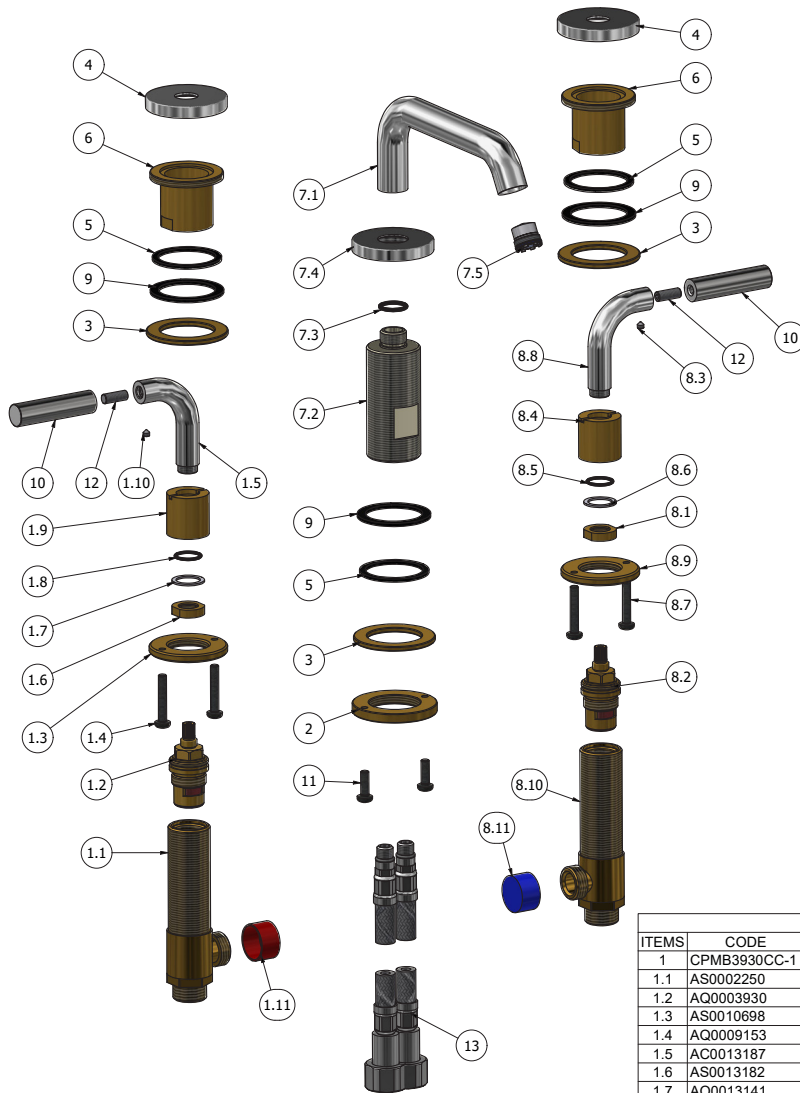
Main body is a machined from a solid pieces

Material

BRASS
According to CuZn39Pb3 (CW614N)
Max Lead content: 2.5%



WE ARE IB



Parts list				
ITEMS	CODE	DESCRIPTION	FIN	QTÀ
1	CPMB3930CC-1	Preassembled clamping nut left	-	1
1.1	AS0002250	Washbasin upright W26x19	G	1
1.2	AQ0003930	Ceramic headwork 90° right	-	1
1.3	AS0010698	Ring nut W26x19	G	1
1.4	AQ0009153	Inox screw M5x30 ISO 7045	-	2
1.5	AC0013187	Handle Ø14 H54 L35 M6 8x20 M12x1	F	1
1.6	AS0013182	Handle stop Ø20 M12x1 H5	G	1
1.7	AQ0013141	Antifriction ring Ø20 Ø15 H1	-	1
1.8	AQ0001380	OR 14x1.5 NBR 70 SH	-	1
1.9	AS0013145	Handle fixing Ø26 M24x1 H26	G	1
1.10	AQ0001082	Grubscrew M4x4 cone point	-	1
1.11	AQ0015328	Red plug G1/2"	-	1
2	AS0010658	Ring nut with screwed holes Ø52 M33x1.5 H6	G	1
3	AS0010659	Brass ring Ø50x35.5x3	G	3
4	AC0013144	Cover Ø50 M45x1.5 H7	F	2
5	AQ0008012	Plane seal Ø42.5x35.5x2	-	3
6	AS0013143	Valve fixing M45x1.5 W26x19 H34	G	2
7	CP13140CC-1	Preassembled spout	F	1
7.1	AC0013140	Spout Ø18.5 H64 L135	F	1
7.2	AN0012449	Threaded stem M33x1.5 M16x1 H80	N	1
7.3	AQ0001390	OR 14x2 NBR 70 SH	-	1
7.4	AC0013138	Base Ø50 H7 M33x1.5	F	1
7.5	AQ0015903	Perlator PCA cachè 1.75 GPM (44.3361.010)	-	1
8	CPMB2135CC-1	Preassembled clamping nut right	-	1
8.1	AS0013182	Handle stop Ø20 M12x1 H5	G	1
8.2	AQ0002135	Ceramic headwork 90° left	-	1
8.3	AQ0001082	Grubscrew M4x4 cone point	-	1
8.4	AS0013145	Handle fixing Ø26 M24x1 H26	G	1
8.5	AQ0001380	OR 14x1.5 NBR 70 SH	-	1
8.6	AQ0013141	Antifriction ring Ø20 Ø15 H1	-	1
8.7	AQ0009153	Inox screw M5x30 ISO 7045	-	2
8.8	AC0013187	Handle Ø14 H54 L35 M6 8x20 M12x1	F	1
8.9	AS0010698	Ring nut W26x19	G	1
8.10	AS0002250	Washbasin upright W26x19	G	1
8.11	AQ0015329	Blue plug G1/2"	-	1
9	AQ0008013	Rubber packing 45x35x2	-	3
10	AC0013166	Handle Ø14 L55 M6 knurled	F	2
11	AQ0010358	Inox screw M5x16 ISO 7045	-	2
12	AQ0014893	Grano inox M6x16 flat point	-	2
13	AQ0010273	Hoses M10x1 G1/2" F L400 DN8	G	2



WE ARE IB

WARRANTY

All IB Rubinetterie SpA products are warranted for 10 years from the date of purchase, for the following cases:

- Defects of casting, porosity and chrome plating.
- Operating defects caused by incorrect fabrication.

The warranty provides for repair or replacement of products with fabrication defects recognized by our technical office. There is no other type of compensation anche the merchandise must be returned FOB our warehouse. The warranty only cover surface defects (scartches, dings, etc.) on fitting that have not been installed and used, returned in its original packaging with all components. O-ring, gasket seals and components subject to wear proportional to use are warranted for 2 years.

The warranty is void in the following cases:

Error installing and putting the product into service.

Deterioration of finished surfaces due to use of cleaning products containing acids or abrasive substances.

Deterioration of surface with finishes other than chrome plating. Their durability is, in fact, dependent on the user's care and gentleness of use.

Deterioration of the fitting due incorrect installation.

Improper repairs and maintenance performed without the company's prior authorization.

The warranty from IB Rubinetterie SpA is not renewable.

Cleaning

We recommended cleaning the finish surfaces with water and soap, using a soft cloth.

Do not use detergents that cointain hydrochloric acid or abrasive substances.