

Collection

INDUSTRIA

Article

ID407

Description

Wall mounted washbasin mixer

Built-in body to be purchased separately INC206+INC406

Box Dimensions

425x188x98 mm

Weight

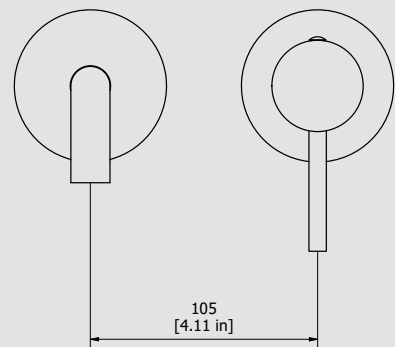
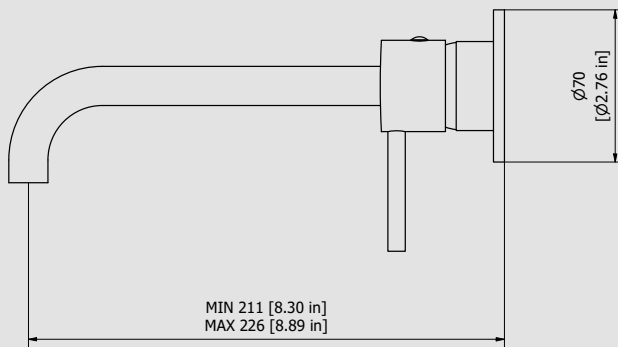
1.3 kg

Finishes

- **CC**
CHROME
- **PL**
PLATINUM
- **SS**
BRUSHED
NICKEL
- **ON**
NATURAL
BRASS
- **BO**
MATT
WHITE
- **NP**
MATT
BLACK
- **CF**
BLACK
CHROME
- **CS**
BRUSHED
BLACK
CHROME
- **II**
PALE
GOLD
- **IS**
BRUSHED
PALE GOLD
- **RS**
ROSE
GOLD
- **SR**
BRUSHED
ROSE GOLD
- **OO**
GOLD
- **OS**
BRUSHED
GOLD
- **RR**
ANTIQUÉ
COPPER
- **MB**
MODERN
BRONZE



Dimensions



Cartridge

Ø35 ceramic cartridge

Threaded fitting

G1/2" female

Aerator

M16.5x1

Flow Rate (+/-10%)

**1 BAR
3 l/m**

**2 BAR
3.8 l/m**

**3 BAR
3.8 l/m**

Production

Main body is a machined from a solid pieces

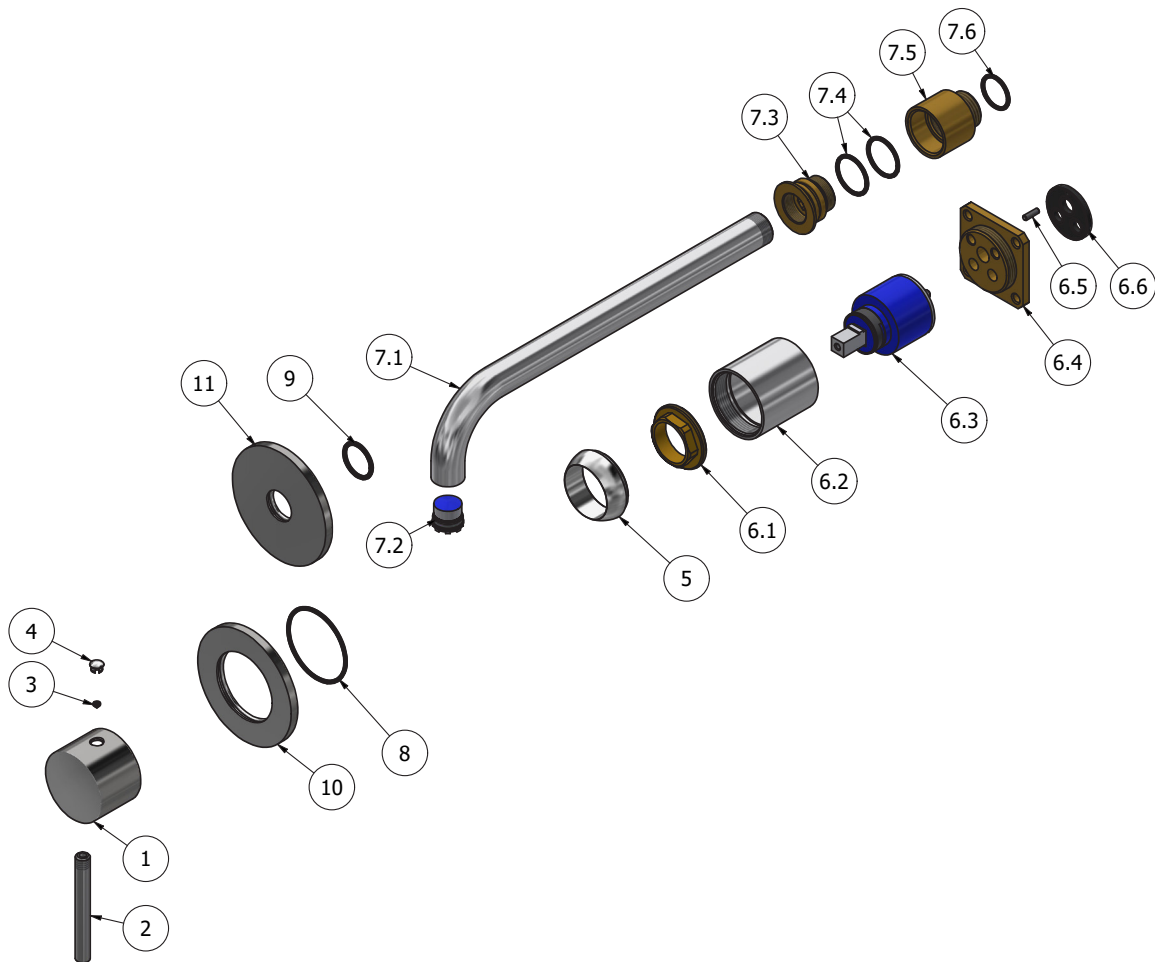
Material

BRASS
According to CuZn35Pb2Al-B (CB752S)
Max Lead content: 1.36%



WE ARE IB

Parts list				
ITEMS	CODE	DESCRIPTION	FIN	QTÀ
1	AC0012840-TI	Handle Ø42 H30 knurled	F	1
2	AC0007091	Straight rod Ø8 L67	F	1
3	AQ0013221	Grubscrew M4x3 cone point	-	1
4	AQ0006650	Plug cover Ø7	F	1
5	AQ0003630	Cartridge ring nut cover M37x1.5	F	1
6	CPIN206CC-19	Mixer 47x47 x recessed	-	1
6.1	AQ0001040	Cartridge ring nut M37x1.5 H9	G	1
6.2	AC0010445	Recessed ring Ø41 M37x1.5 H40.7	F	1
6.3	AQ0004095	Ceramic cartridge Ø35 9x9 (K35A)	-	1
6.4	AS0013040	Insert 47x47 H11 M37x1.5	G	1
6.5	AQ0015357	Grubscrew M3x10 flat point	-	1
6.6	AQ0015684	Gasket Ø31 H3.5 Ø7 Ø7.5	-	1
7	CPX207CC-21	Preassembled spout Ø18	-	1
7.1	AC0011996	Spout-out M18x1 M16.5x1 Ø18 L244	F	1
7.2	AQ0014147	Perlator PCA cachè laminar 1 GPM (44.3358.010)	-	1
7.3	AS0016996	Spout insert Ø30 M20x1M M18x1 F H21	G	1
7.4	AQ0001400	OR 20.35x1.78 NBR 70 SH	-	2
7.5	AS0016995	Insert Ø30 G1/2" M H32	G	1
7.6	AQ0004630	OR 17.16x1.78 NBR 70 SH	-	1
8	AQ0001440	OR 41x1.78 NBR 70 SH	-	1
9	AQ0006997	OR 18x2 NBR 70 SH	-	1
10	AC0017003	Ring Ø70 Ø41.5 H5 knurled	F	1
11	AC0017931	Ring Ø70 Ø18.5 H5 knurled	F	1





WE ARE IB

WARRANTY

All IB Rubinetterie SpA products are warranted for 10 years from the date of purchase, for the following cases:

- Defects of casting, porosity and chrome plating.
- Operating defects caused by incorrect fabrication.

The warranty provides for repair or replacement of products with fabrication defects recognized by our technical office. There is no other type of compensation anche the merchandise must be returned FOB our warehouse. The warranty only cover surface defects (scartches, dings, etc.) on fitting that have not been installed and used, returned in its original packaging with all components. O-ring, gasket seals and components subject to wear proportional to use are warranted for 2 years.

The warranty is void in the following cases:

Error installing and putting the product into service.

Deterioration of finisched surfaces due to use of cleaning products containing acids or abrasive substances.

Deterioration of surface with finishes other than chrome plating. Their durability is, in fact, dependent on the user's care and gentleness of use.

Deterioration of the fitting due incorrect installation.

Improper repairs and maintenance performed without the company's prior authorization.

The warranty from IB Rubinetterie SpA is not renewable.

Cleaning

We recommended cleaning the finish surfaces with water and soap, using a soft cloth.

Do not use detergents that cointain hydrochloric acid or abrasive substances.