



WE ARE IB

Collection

# INDUSTRIA

Article

## ID800

Description

**Thermostatic shower column.**

Box Dimensions

**1020 x 490 x 120 mm**

Weight

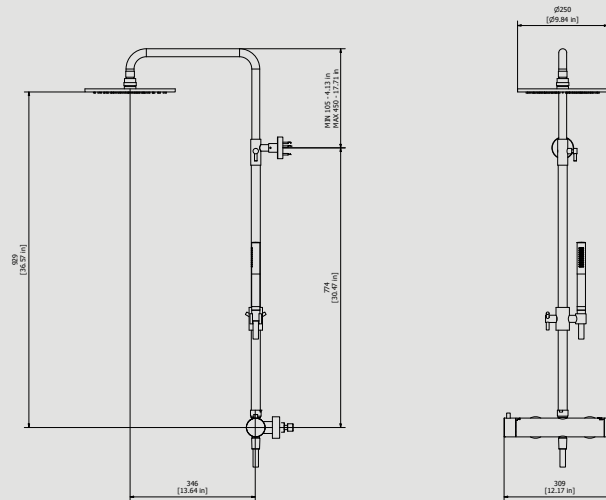
**3.4 kg**

Finishes

- **CC** CHROME
- **CF** BLACK CHROME
- **OO** GOLD
- **MB** MODERN BRONZE
- **SS** BRUSHED NICKEL
- **CS** BRUSHED BLACK CHROME
- **BO** MATT WHITE
- **NP** MATT BLACK
- **IS** BRUSHED PALE GOLD
- **OS** BRUSHED GOLD
- **II** PALE GOLD
- **RR** ANTIQUE COPPER
- **RS** ROSE GOLD
- **ON** NATURAL BRASS
- **SR** BRUSHED ROSE GOLD
- **PL** PLATINUM



Dimensions



Cartridge

**thermostatic cartridge**

Threaded fitting

**G1/2" male**

Aerator

Flow Rate (+/-10%)

**1 BAR**  
11.3 l/min

**2 BAR**  
17 l/min

**3 BAR**  
21.2 l/min

Production

**Main body is a single casted pieces**

Material

**BRASS**  
According to CuZn35Pb2Al-B (CB752S)  
Max Lead content: 1.36%

IB RUBINETTERIE s.p.a  
via dei Pianotti 3/5  
25068 Sarezzo (BS) - Italy -

T. +39 030 802101  
F. +39 030 803097  
info@weareib.it

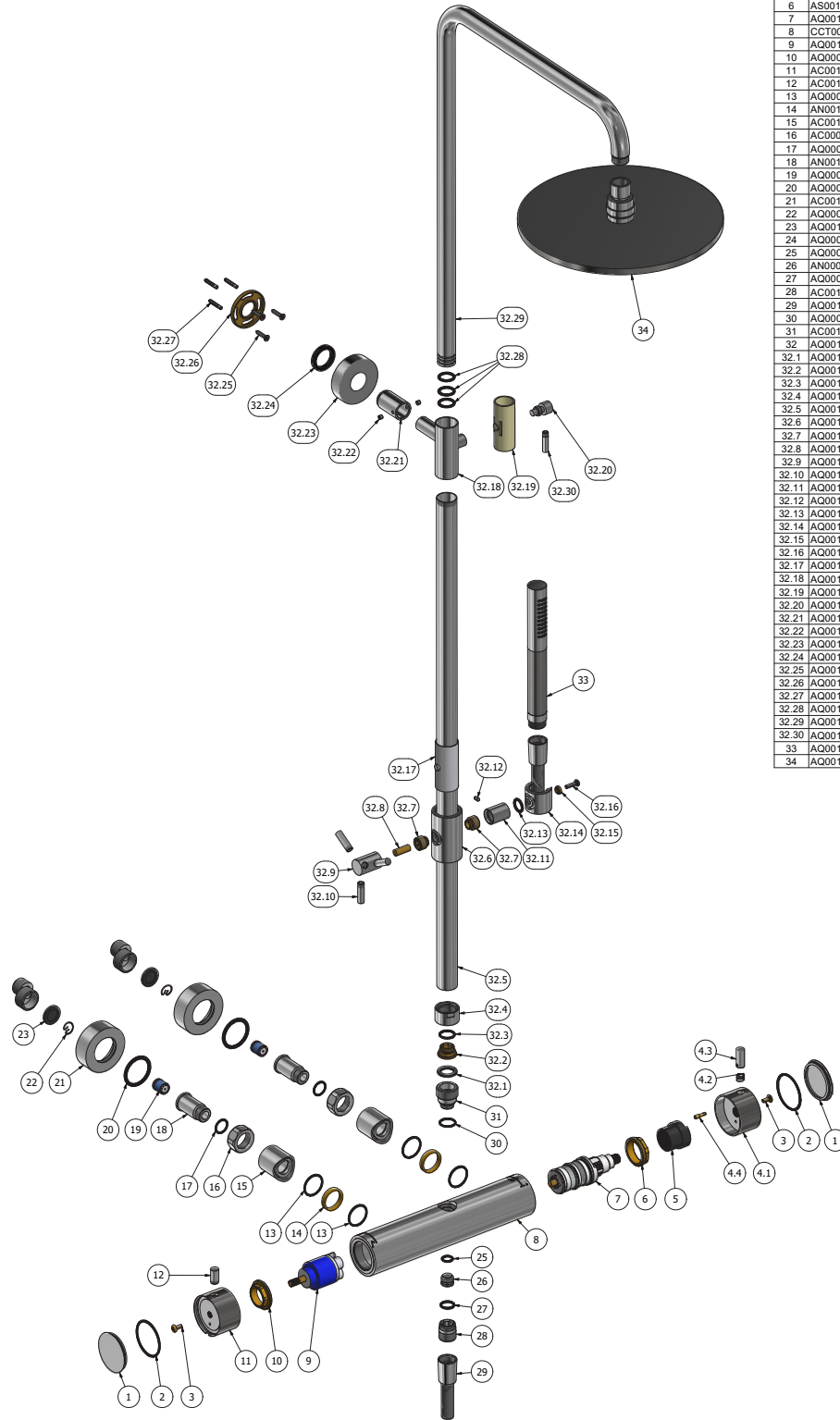
P.IVA 01785230986  
capitale sociale  
€420.000,00 i.v.

www.weareib.it





WE ARE IB



Parts list				
ITEMS	CODE	DESCRIPTION	FIN	QTA
1	AC0011427	Plug Ø51.4 H8	F	2
2	AQ0009984	OR 43x2 NBR 70 SH	-	2
3	AQ0002160	Screw M4x10	-	2
4	CP0012946	Handle for thermo Ø52 H30.9 knurled	F	1
4.1	AC0012946	Thermo regulation handle Ø52 H30.9 knurled	F	1
4.2	AQ0010629	Spring for Thermo's handle Ø9.9 H8	-	1
4.3	AC0011573	Thermo handle hub Ø10 H24	F	1
4.4	AS0011571	Pin for thermo lever button	G	1
5	AQ0010474	Temperature regulation stop	-	1
6	AS0010053	Cartridge fixing nut M36x1.25 H10	G	1
7	AQ0010089	Thermostatic cartridge CA43	-	1
8	CCT001981	Thermostatic faucet body Int.150 L.250	F	1
9	AQ0013249	Cartridge KDZ 35 B 90°	-	1
10	AQ0001040	Cartridge ring nut M37x1.5 H9	G	1
11	AC0012945	Flow regulation handle Ø52 H31.3 knurled	F	1
12	AC0011572	Handle knob H19 M10	F	1
13	AQ0006586	OR 25.12x1.78 NBR 70 SH	-	4
14	AN0010039	Copper ring for O-ring	N	2
15	AC0010337	Chrome cover for seal Ø33 H34.9	F	2
16	AQ0007710	Fixing nut G3/4" H14 CH30	F	2
17	AQ0004800	OR 15.6x1.78 NBR 70 SH	-	2
18	AN0010755	Long seal with valve's seat	N	2
19	AQ0009090	Not return valve Ø14 (31.4114.00001)	-	2
20	AQ0009704	OR 32.93x3.53 NBR 70 SH	-	2
21	AC0010031	Sliding rosette Ø59.5 H20	F	2
22	AQ0009678	Elastic ring AISI 302	-	2
23	AQ0010373	Rubber packing 3/4" H3 with filter	-	2
24	AQ0009886	Eccentric H.36	G	2
25	AQ0001350	OR 11.11x1.78 NBR 70 SH	-	1
26	AN0009524	Plug 15x1.5 L for thermo	N	1
27	AQ0001390	OR 14x2 NBR 70 SH	-	1
28	AC0010692	Shower connection piece G1/2"	F	1
29	AQ0018056	Flex snapon G1/2" F L150cm Silver	F	1
30	AQ0004630	OR 17.16x1.78 NBR 70 SH	-	1
31	AC0010038	Shower connection piece M16X1 G3/4"	F	1
32	AQ0015611	Shower	F	1
32.1	AQ0015611.28	Rubber packing G3/4" 24x16x3	-	1
32.2	AQ0015611.27	Fixing nut M18x1.5 LH H12	G	1
32.3	AQ0015611.26	OR 12.5X2.2 NBR 70 SH	-	1
32.4	AQ0015611.25	nut G3/4" H17	F	1
32.5	AQ0015611.12	Pipe Ø25 H690	F	1
32.6	AQ0015611.17	Pipe for support Ø37 H63	F	1
32.7	AQ0015611.16	Junction M16x1.5 M12x1 H13	G	2
32.8	AQ0015611.15	Insert for fixed Ø8 H21	G	1
32.9	AQ0015611.13	Handle for support Ø20 H31	F	1
32.10	AQ0015611.14	Knob Ø8 M8 H27	F	3
32.11	AQ0015611.20	Junction Ø19.5 H23	F	1
32.12	AQ0015611.19	Grubscrew M4x8 cone point	-	1
32.13	AQ0015611.21	OR 13X2.2 NBR 70 SH	-	1
32.14	AQ0015611.23	Hand shower support Ø32 H28	F	1
32.15	AQ0015611.22	Insert for screw Ø10 H4	G	1
32.16	AQ0015611.24	Screw M4x16 TB	-	1
32.17	AQ0015611.18	Antifriction insert Ø27.5 H63	-	1
32.18	AQ0015611.4	Support body for column	F	1
32.19	AQ0015611.3	Antifriction insert Ø25 h63	-	1
32.20	AQ0015611.5	Pin for support	F	1
32.21	AQ0015611.7	Extension cable Ø24 M22x1M L35	F	1
32.22	AQ0015611.8	Grubscrew M5x4 flat point	-	2
32.23	AQ0015611.6	Rosone Ø60 H15	F	1
32.24	AQ0015611.30	Gasket	-	1
32.25	AQ0015611.9	Self-tapping screw	G	3
32.26	AQ0015611.10	Wall flange	G	1
32.27	AQ0015611.11	Fischer Ø3.5	-	3
32.28	AQ0015611.2	OR 13X3 NBR 70 SH	-	3
32.29	AQ0015611.1	Upper arm Ø22 H505 L348	F	1
32.30	AQ0015611.29	Rod Ø7 L.27	F	1
33	AQ0015375	Union shower Ø23	F	1
34	AQ0015376	Brass showerhead Ø250 knurled	F	1



WE ARE IB

### **WARRANTY**

All IB Rubinetterie SpA products are warranted for 10 years from the date of purchase, for the following cases:

- Defects of casting, porosity and chrome plating.
- Operating defects caused by incorrect fabrication.

The warranty provides for repair or replacement of products with fabrication defects recognized by our technical office. There is no other type of compensation anche the merchandise must be returned FOB our warehouse. The warranty only cover surface defects (scartches, dings, etc.) on fitting that have not been installed and used, returned in its original packaging with all components. O-ring, gasket seals and components subject to wear proportional to use are warranted for 2 years.

#### **The warranty is void in the following cases:**

Error installing and putting the product into service.

Deterioration of finisched surfaces due to use of cleaning products containing acids or abrasive substances.

Deterioration of surface with finishes other than chrome plating. Their durability is, in fact, dependent on the user's care and gentleness of use.

Deterioration of the fitting due incorrect installation.

Improper repairs and maintenance performed without the company's prior authorization.

The warranty from IB Rubinetterie SpA is not renewable.

#### **Cleaning**

We recommanded cleaning the finish surfaces with water and soap, using a soft cloth.

Do not use detergents that cointain hydrochloric acid or abrasive substances.