

Collection

## IB BOX

Article

### INC399

Description

**Built-in wall mixer three ways**

Box Dimensions

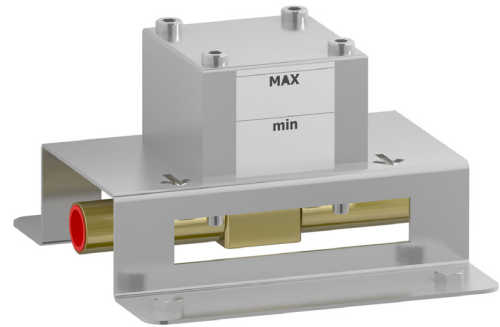
**220x200x150 mm**

Weight

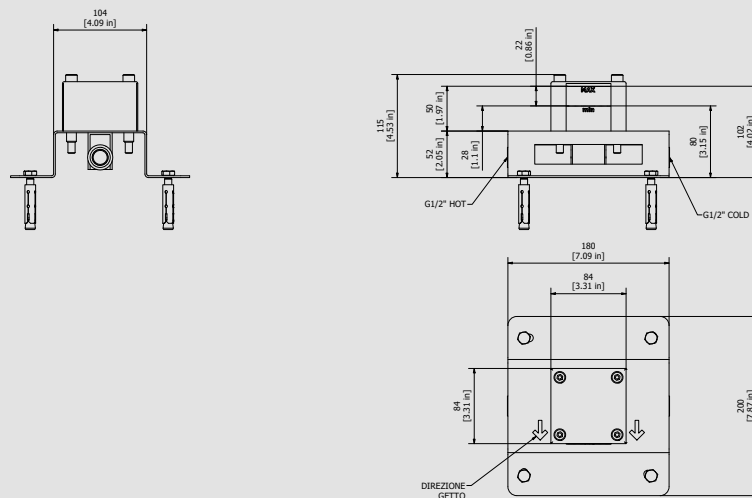
**0.4 kg**

Finishes

- CC**  
CHROME
- PL**  
PLATINUM
- SS**  
BRUSHED  
NICKEL
- ON**  
NATURAL  
BRASS
- BO**  
MATT  
WHITE
- NP**  
MATT  
BLACK
- CF**  
BLACK  
CHROME
- CS**  
BRUSHED  
BLACK  
CHROME
- II**  
PALE  
GOLD
- IS**  
BRUSHED  
PALE GOLD
- RS**  
ROSE  
GOLD
- SR**  
BRUSHED  
ROSE GOLD
- OO**  
GOLD
- OS**  
BRUSHED  
GOLD
- RR**  
ANTIQUÉ  
COPPER
- BB**  
ANTIQUÉ  
BRONZE



Dimensions



Cartridge

Threaded fitting

**Treaded fitting G1/2" female**

Aerator

Flow Rate (+/-10%)

**1 BAR**  
- l/m

**2 BAR**  
- l/m

**3 BAR**  
- l/m

Production

**Main body is a machined from a solid pieces**

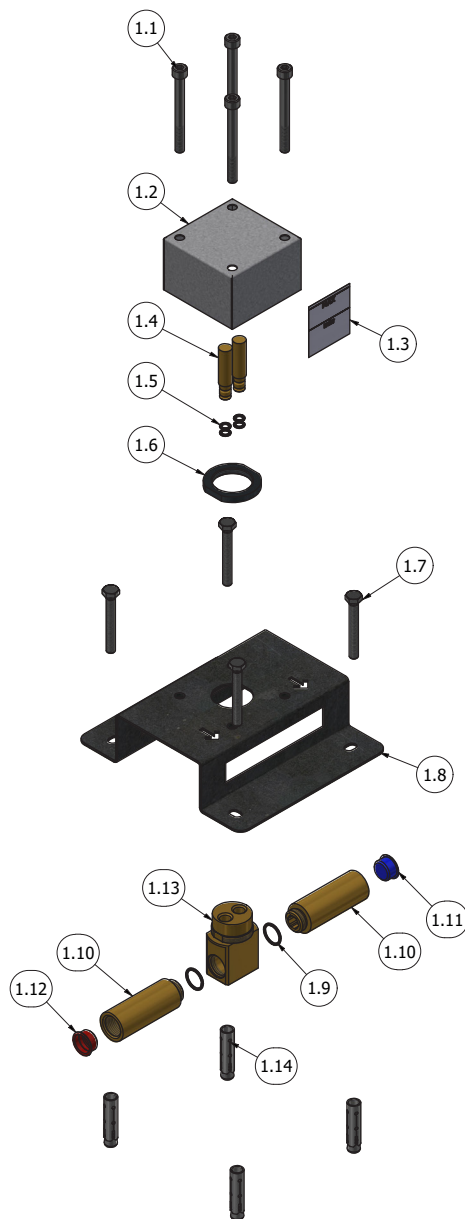
Material

**BRASS**  
**According to CuZn39Pb3 (CW614N)**  
**Max Lead content: 2.5%**



WE ARE IB

Parts list				
ITEMS	CODE	DESCRIPTION	FIN	QTÀ
1	CPINC399CC-2			1
1.1	AQ0015882	Inox screw TCEI M8x80 DIN 912		4
1.2	AS0013156	Square cover 84x84 H55		1
1.3	AQ0015883	Label Min Max		1
1.4	AS0016786	Protection plug Ø12 Ø10 H52		2
1.5	AQ0012025	OR 6.35x1.78 NBR 70 SH	-	4
1.6	AS0013152	Nut Ø50 M36X1F H6 CH.46	G	1
1.7	AQ0015834	Inox screw M8x60 DIN933	-	4
1.8	AS0017127	Sheet metal 200x180 H52 M8		1
1.9	AQ0004630	OR 17.17x 1.78 NBR 70 SH		2
1.10	AS0016778	Reduction G1/2" M G1/2" F H78.5 Ø28		2
1.11	AQ0014538	Blu thread's protecting cap Ø19	-	1
1.12	AQ0014537	Red thread's protecting cap Ø19	-	1
1.13	AS0013154	Base body Ø45 M36x1 H60		1
1.14	AQ0009546	Inox rawplug M8 Ø12 L50	-	4





WE ARE IB

### WARRANTY

All IB Rubinetterie SpA products are warranted for 10 years from the date of purchase, for the following cases:

- Defects of casting, porosity and chrome plating.
- Operating defects caused by incorrect fabrication.

The warranty provides for repair or replacement of products with fabrication defects recognized by our technical office. There is no other type of compensation anche the merchandise must be returned FOB our warehouse. The warranty only cover surface defects (scatches, dings, etc.) on fitting that have not been installed and used, returned in its original packaging with all components. O-ring, gasket seals and components subject to wear proportional to use are warranted for 2 years.

#### The warranty is void in the following cases:

Error installing and putting the product into service.

Deterioration of finished surfaces due to use of cleaning products containing acids or abrasive substances. Deterioration of surface with finishes other than chrome plating. Their durability is, in fact, dependent on the user's care and gentleness of use.

Deterioration of the fitting due incorrect installation.

Improper repairs and maintenance performed without the company's prior authorization.

The warranty from IB Rubinetterie SpA is not renewable.

#### Cleaning

We recommended cleaning the finish surfaces with water and soap, using a soft cloth.

Do not use detergents that contain hydrochloric acid or abrasive substances.