



WE ARE IB

Collection

**K2**

Article

**K2394**

Description

**Two holes washbasin mixer.**

Box Dimensions

**360x220x150 mm**

Weight

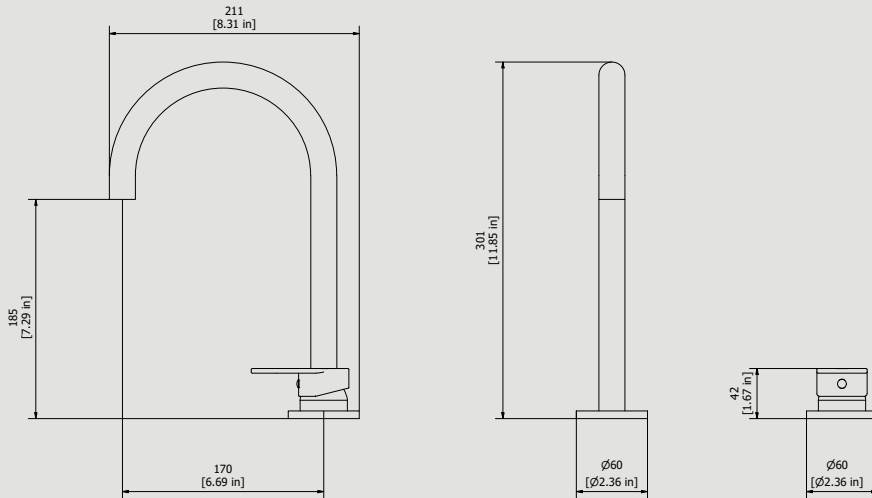
**2.5 kg**

Finishes

- **CC** CHROME
- **CF** BLACK CHROME
- **OO** GOLD
- **MB** MODERN BRONZE
- **SS** BRUSHED NICKEL
- **CS** BRUSHED BLACK CHROME
- **BO** MATT WHITE
- **NP** MATT BLACK
- **IS** BRUSHED PALE GOLD
- **OS** BRUSHED GOLD
- **II** PALE GOLD
- **RR** ANTIQUE COPPER
- **RS** ROSE GOLD
- **ON** NATURAL BRASS
- **SR** BRUSHED ROSE GOLD
- **PL** PLATINUM



Dimensions



Cartridge

**Ceramic cartridge Ø35 9x9**

Hoses

**Flex inox G1/2" F G1/2" F L300**

Aerator

**M16.5x1**

Flow Rate (+/-10%)

<b>1 BAR</b>	<b>2 BAR</b>	<b>3 BAR</b>
<b>3 l\min</b>	<b>3.8 l\min</b>	<b>3.8 l\min</b>

Production

**Main body is a single casted pieces**

Material

**BRASS**  
According to CuZn35Pb2AL-B (CB752S)  
Max Lead content: 1.36%

IB RUBINETTERIE s.p.a  
via dei Pianotti 3/5  
25068 Sarezzo (BS) - Italy -

T. +39 030 802101  
F. +39 030 803097  
info@weareib.it

P.IVA 01785230986  
capitale sociale  
€420.000,00 i.v.

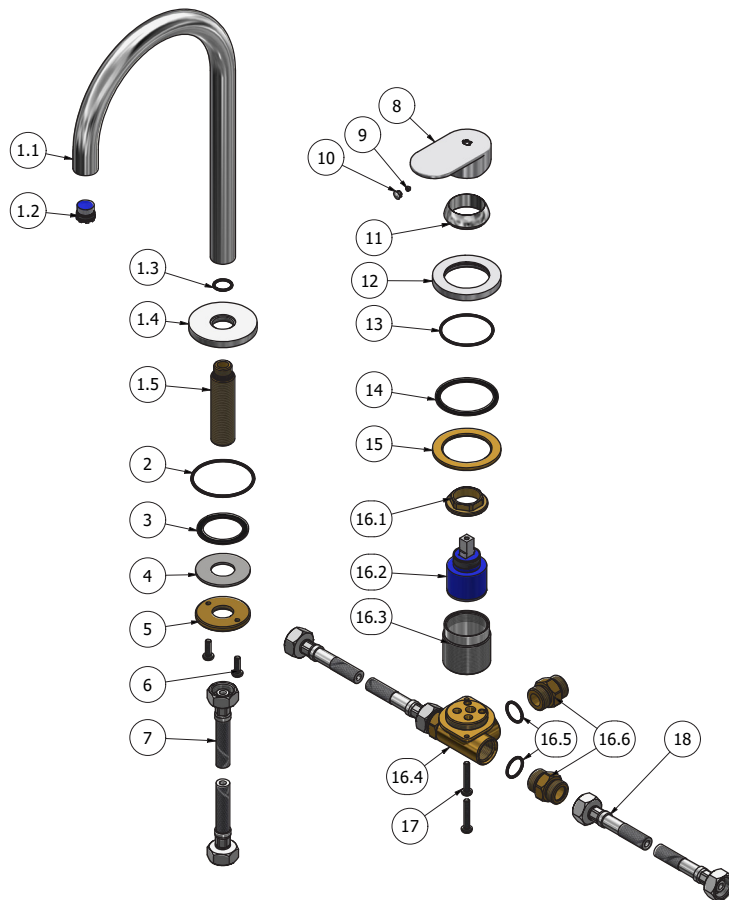
www.weareib.it





WE ARE IB

Parts list				
ITEMS	CODE	DESCRIPTION	FIN	QTÀ
1	CPRX394CCXN_1	Preassembled spout Ø22 H185.5	-	1
1.1	AC0016652	Spout Ø22 int. 170 H180 L296	F	1
1.2	AQ0014147	Perlator PCA cachè laminar 1 GPM (44.3358.010)	-	1
1.3	AQ0009818	OR 14x1.78 NBR 70 SH	-	1
1.4	AC0016646	Rosette Ø60 H6.5 G1/2F.	F	1
1.5	AS0016649	Threaded steam M16X1M G1/2"M L81	G	1
2	AQ0014771	OR 52x2 NBR 70 SH	-	1
3	AQ0008013	Rubber packing 45x35x2	-	1
4	AQ0016650	Washer Ø48 Ø21 H2	G	1
5	AS0016648	Nut Ø48 G1/2" H5	G	1
6	AQ0010358	Inox screw M5x16 ISO 7045	-	2
7	AQ0015774	Hose G1/2" F G1/2" F L480	G	1
8	AQ0014030-TI	Mix lever	F	1
9	AQ0001082	Grubscrew M4x4 cone point	-	1
10	AQ0006650	Plug cover Ø7	F	1
11	AQ0003630	Cartridge ring nut cover M37x1.5	F	1
12	AC0017940	Fixing ring Ø60 H6.5 M42x1.5	F	1
13	AQ0010584	OR 44.17x1.78 NBR 70 SH	-	1
14	AQ0011028	Flat gasket Ø55 Ø47 H2	-	1
15	AS0011661	Support ring Ø60 Ø42.2 H3	G	1
16	CPIID394CC-3	Preassembly mix	-	1
16.1	AQ0001040	Cartridge ring nut M37x1.5 H9	G	1
16.2	AQ0004095	Ceramic cartridge Ø35 9x9 (K35A)	-	1
16.3	AC0011662	Ring M42x1.5 M37x1.5 Ø40 H40.7	F	1
16.4	AQT010369	Recessed shower mixer body Ø35 DZR	G	1
16.5	AQ0004630	OR 17.16x1.78 NBR 70 SH	-	3
16.6	AS0010301	Reduction G1/2" M G1/2" M with valve seat	G	3
17	AQ0009153	Inox screw M5x30 ISO 7045	-	2
18	AQ0006540	Flex inox G1/2" F G1/2" F L300	G	2





WE ARE IB

### **WARRANTY**

All IB Rubinetterie SpA products are warranted for 10 years from the date of purchase, for the following cases:

- Defects of casting, porosity and chrome plating.
- Operating defects caused by incorrect fabrication.

The warranty provides for repair or replacement of products with fabrication defects recognized by our technical office. There is no other type of compensation anche the merchandise must be returned FOB our warehouse. The warranty only cover surface defects (scartches, dings, etc.) on fitting that have not been installed and used, returned in its original packaging with all components. O-ring, gasket seals and components subject to wear proportional to use are warranted for 2 years.

#### **The warranty is void in the following cases:**

Error installing and putting the product into service.

Deterioration of finished surfaces due to use of cleaning products containing acids or abrasive substances.

Deterioration of surface with finishes other than chrome plating. Their durability is, in fact, dependent on the user's care and gentleness of use.

Deterioration of the fitting due incorrect installation.

Improper repairs and maintenance performed without the company's prior authorization.

The warranty from IB Rubinetterie SpA is not renewable.

#### **Cleaning**

We recommanded cleaning the finish surfaces with water and soap, using a soft cloth.

Do not use detergents that cointain hydrochloric acid or abrasive substances.