



WE ARE IB

Collection

## KUSASI

Article

### KU250

Description

Wall mounted bath filler complete with hand shower kit

Box Dimensions

220x200x150 mm

Weight

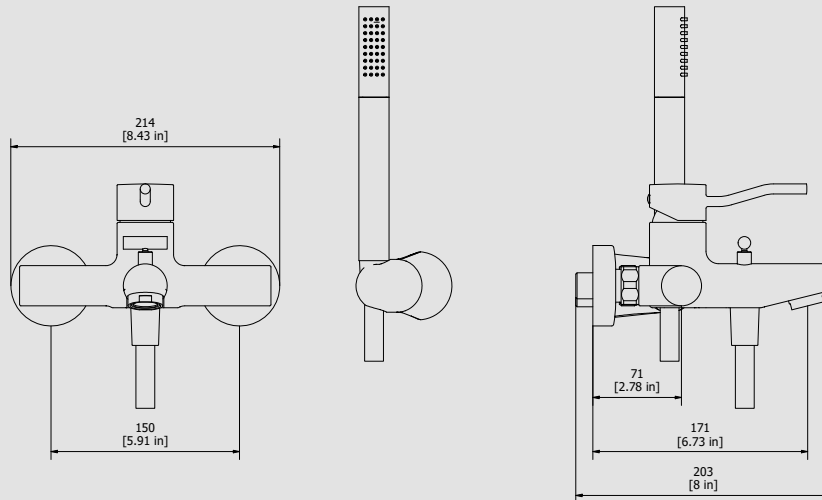
2.5 kg

Finishes

- CC**  
CHROME
- PL**  
PLATINUM
- SS**  
BRUSHED  
NICKEL
- ON**  
NATURAL  
BRASS
- BO**  
MATT  
WHITE
- NP**  
MATT  
BLACK
- CF**  
BLACK  
CHROME
- CS**  
BRUSHED  
BLACK  
CHROME
- II**  
PALE  
GOLD
- IS**  
BRUSHED  
PALE GOLD
- RS**  
ROSE  
GOLD
- SR**  
BRUSHED  
ROSE GOLD
- OO**  
GOLD
- OS**  
BRUSHED  
GOLD
- RR**  
ANTIQUÉ  
COPPER
- BB**  
ANTIQUÉ  
BRONZE



Dimensions



Cartridge

Ø35 ceramic cartridge

Hoses

Flex chromalux snapon G1/2" F L1500 Silver

Aerator

M28x1

Flow Rate (+/-10%)

<b>1 BAR</b>	<b>2 BAR</b>	<b>3 BAR</b>
10 l\m	14.3 l\m	18 l\m

Production

Main body is a machined from a solid pieces

Material

**BRASS**  
According to CuZn42 (CW510L)  
Max Lead content: 0.2%

IB RUBINETTERIE s.p.a  
via dei Pianotti 3/5  
25068 Sarezzo (BS) - Italy -

T. +39 030 802101  
F. +39 030 803097  
info@weareib.it

P.IVA 01785230986  
capitale sociale  
€420.000,00 i.v.

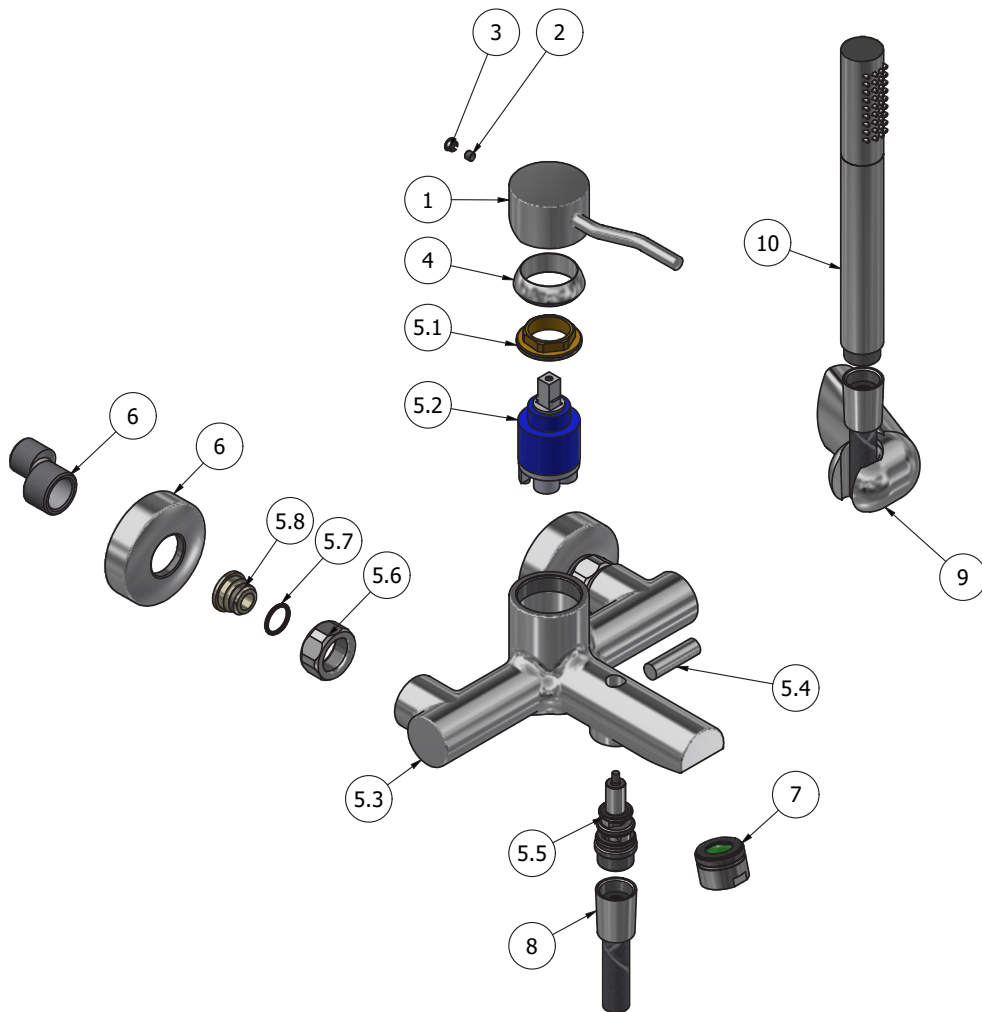
www.weareib.it





WE ARE IB

Parts list				
ITEMS	CODE	DESCRIPTION	FIN	QTÀ
1	AQ0009475-TI	Kusasi zamak lever Ø45 L125	F	1
2	AQ0009541	Grubscrew M5x4 flat point	-	1
3	AQ0006650	Plug cover Ø7	F	1
4	AC0010066	Nut cover M37x1,5 Ø40.3 H13	F	1
5	CPKKU250CCX01	Preassembled bath filler	F	1
5.1	AQ0001040	Cartridge ring nut M37x1.5 H9	G	1
5.2	AQ0004075	Ceramic cartridge Ø35 9x9 with distributor	-	1
5.3	CC0001546	Body bath mixer	F	1
5.4	AC0007150	Knob Ø10 L35 M4	F	1
5.5	AQ0001036	GDV1 automatic diverter (18.0010.1)	F	1
5.6	AC0000710	Fixing nut G3/4" H14 CH30	F	2
5.7	AQ0004600	OR 15.6x1.78 NBR 70 SH	-	2
5.8	AN0001931	Threaded connection piece M18x1.5 L H15.8	N	2
6	AQ0009391	Rosette kit	F	2
7	AQ0000030	Perlator honeycomb M28x1 (41.2006.09301)	F	1
8	AQ0018056	Flex snapon G1/2" F L150cm Silver	F	1
9	AQ0002580	Support for hand shower	-	1
10	AQ0013557	Onair hand shower	F	1





WE ARE IB

### **WARRANTY**

All IB Rubinetterie SpA products are warranted for 10 years from the date of purchase, for the following cases:

- Defects of casting, porosity and chrome plating.
- Operating defects caused by incorrect fabrication.

The warranty provides for repair or replacement of products with fabrication defects recognized by our technical office. There is no other type of compensation anche the merchandise must be returned FOB our warehouse. The warranty only cover surface defects (scartches, dings, etc.) on fitting that have not been installed and used, returned in its original packaging with all components. O-ring, gasket seals and components subject to wear proportional to use are warranted for 2 years.

#### **The warranty is void in the following cases:**

Error installing and putting the product into service.

Deterioration of finisched surfaces due to use of cleaning products containing acids or abrasive substances.

Deterioration of surface with finishes other than chrome plating. Their durability is, in fact, dependent on the user's care and gentleness of use.

Deterioration of the fitting due incorrect installation.

Improper repairs and maintenance performed without the company's prior authorization.

The warranty from IB Rubinetterie SpA is not renewable.

#### **Cleaning**

We recommended cleaning the finish surfaces with water and soap, using a soft cloth.

Do not use detergents that cointain hydrochloric acid or abrasive substances.