



WE ARE IB

Collection

KUSASI

Article

KU313

Description

Exposed parts for manual wall mixer with 2 ways with shower kit. Built-in to be purchased separately INC313.

Box Dimensions

370x270x80 mm

Weight

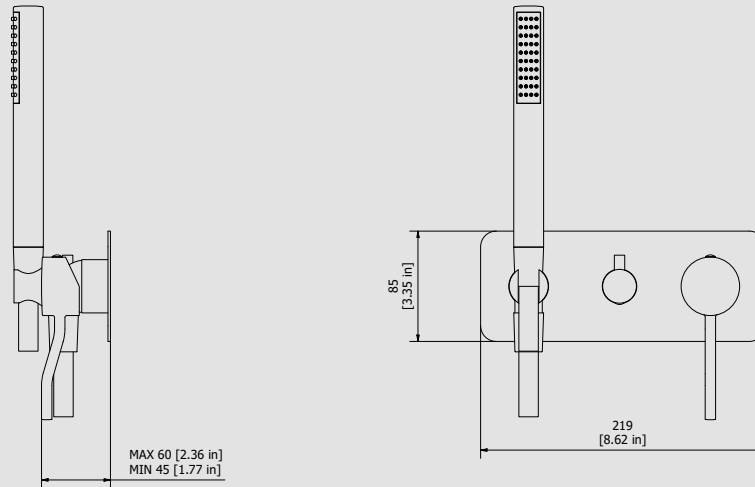
1.9 kg

Finishes

- CC**
CHROME
- PL**
PLATINUM
- SS**
BRUSHED
NICKEL
- ON**
NATURAL
BRASS
- BO**
MATT
WHITE
- NP**
MATT
BLACK
- CF**
BLACK
CHROME
- CS**
BRUSHED
BLACK
CHROME
- II**
PALE
GOLD
- IS**
BRUSHED
PALE GOLD
- RS**
ROSE
GOLD
- SR**
BRUSHED
ROSE GOLD
- OO**
GOLD
- OS**
BRUSHED
GOLD
- RR**
ANTIQUÉ
COPPER
- BB**
ANTIQUÉ
BRONZE



Dimensions



Cartridge

Ø35 ceramic cartridge

Threaded fitting

Flex sponon G1/2" F L150cm Silver

Aerator

Flow Rate (+/-10%)

**1 BAR
10 l\m**

**2 BAR
14.1 l\m**

**3 BAR
17.1 l\m**

Production

Main body is a machined from a solid pieces

Material

**BRASS
According to CuZn42 (CW510L)
Max Lead content: 0.2%**

IB RUBINETTERIE s.p.a
via dei Pianotti 3/5
25068 Sarezzo (BS) - Italy -

T. +39 030 802101
F. +39 030 803097
info@weareib.it

P.IVA 01785230986
capitale sociale
€420.000,00 i.v.

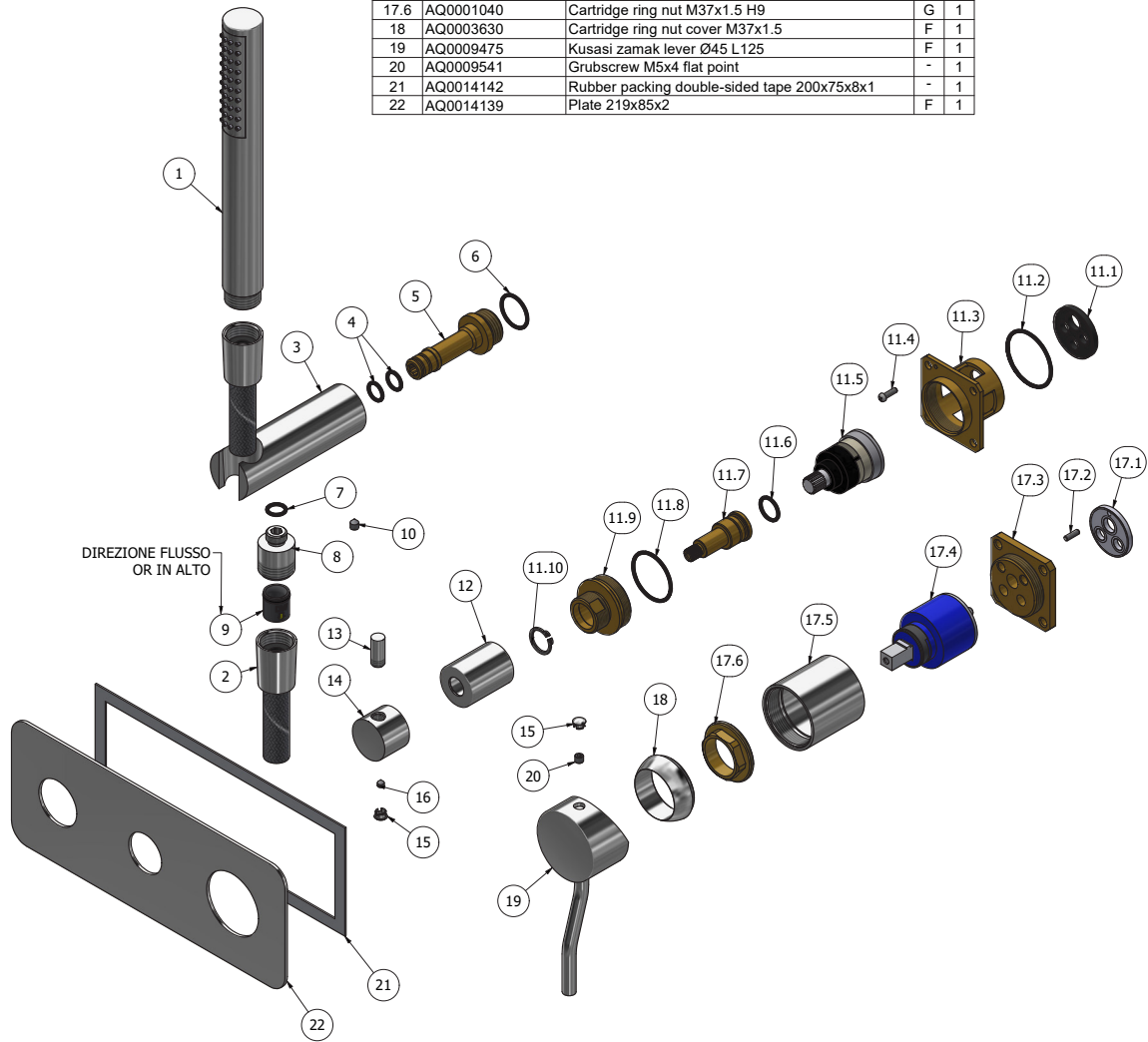
www.weareib.it





WE ARE IB

| Parts list | | | |
|------------|---------------|---|---------|
| ITEMS | CODE | DESCRIPTION | FIN QTA |
| 1 | AQ0012085 | Hand shower stilo Ø23 H196 | F 1 |
| 2 | AQ0018056 | Flex snapon G1/2" F L150cm Silver | F 1 |
| 3 | AC0013053 | Hand shower's support Ø30 L94.8 | F 1 |
| 4 | AQ0004180 | OR 9.25x1.78 NBR 70 SH | - 2 |
| 5 | AS0018164 | Bayonet coupling G1/2" M H62.5 | G 1 |
| 6 | AQ0004640 | OR 18.77x1.78 NBR 70 SH | - 1 |
| 7 | AQ0001340 | OR 8.73x1.78 NBR 70 SH | - 1 |
| 8 | AC0013052 | Reduction G1/2" M M12x1 M H20.5 | F 1 |
| 9 | AQ0013247 | Flow reduction+CV Ø15 4L | - 1 |
| 10 | AQ0014670 | Grubscrew M5x6 cone point | - 1 |
| 11 | CPDEV2VCCXN_1 | 90 ° built-in 2-way diverter 48x48 z8x20 | - 1 |
| 11.1 | AQ0015686 | Rubber Ø32 H4 | - 1 |
| 11.2 | AQ0008026 | OR 33.05x1.78 NBR 70 SH | - 1 |
| 11.3 | AS0013047 | Insert 47x47x32 | G 1 |
| 11.4 | AQ0012206 | Inox screw M3x10 | - 1 |
| 11.5 | AQ0017450 | Cartridge dev.2 outputs 90° | - 1 |
| 11.6 | AQ0004610 | OR 12.42x1.78 NBR 70 SH | - 1 |
| 11.7 | AS0013048 | Rod Ø17.9 H42.4 | G 1 |
| 11.8 | AQ0010597 | OR 28.3x1.78 NBR 70 SH | - 1 |
| 11.9 | AS0013050 | Junction M32x1 M22x1 H23 | G 1 |
| 11.10 | AQ0015748 | Seeger ring Ø14 H1 | - 1 |
| 12 | AC0013054 | Ring Ø26 M22x1 F H33 | F 1 |
| 13 | AC0007092 | Handle knob M8 H19 | F 1 |
| 14 | AC0011372 | Diverter's knob Ø26 H20 | F 1 |
| 15 | AQ0006650 | Plug cover Ø7 | F 2 |
| 16 | AQ0001082 | Grubscrew M4x4 cone point | - 1 |
| 17 | CPIN206CC-19 | Mixer 47x47 x recessed | - 1 |
| 17.1 | AQ0015684 | Gasket Ø31 H3.5 Ø7 Ø7.5 | - 1 |
| 17.2 | AQ0015357 | Grubscrew M3x10 flat point | - 1 |
| 17.3 | AS0013040 | Insert 47x47 H11 M37x1.5 | G 1 |
| 17.4 | AQ0004095 | Ceramic cartridge Ø35 9x9 (K35A) | - 1 |
| 17.5 | AC0010445 | Recessed ring Ø41 M37x1.5 H40.7 | F 1 |
| 17.6 | AQ0001040 | Cartridge ring nut M37x1.5 H9 | G 1 |
| 18 | AQ0003630 | Cartridge ring nut cover M37x1.5 | F 1 |
| 19 | AQ0009475 | Kusasi zamak lever Ø45 L125 | F 1 |
| 20 | AQ0009541 | Grubscrew M5x4 flat point | - 1 |
| 21 | AQ0014142 | Rubber packing double-sided tape 200x75x8x1 | - 1 |
| 22 | AQ0014139 | Plate 219x85x2 | F 1 |





WE ARE IB

WARRANTY

All IB Rubinetterie SpA products are warranted for 10 years from the date of purchase, for the following cases:

- Defects of casting, porosity and chrome plating.
- Operating defects caused by incorrect fabrication.

The warranty provides for repair or replacement of products with fabrication defects recognized by our technical office. There is no other type of compensation anche the merchandise must be returned FOB our warehouse. The warranty only cover surface defects (scartches, dings, etc.) on fitting that have not been installed and used, returned in its original packaging with all components. O-ring, gasket seals and components subject to wear proportional to use are warranted for 2 years.

The warranty is void in the following cases:

Error installing and putting the product into service.

Deterioration of finisched surfaces due to use of cleaning products containing acids or abrasive substances.

Deterioration of surface with finishes other than chrome plating. Their durability is, in fact, dependent on the user's care and gentleness of use.

Deterioration of the fitting due incorrect installation.

Improper repairs and maintenance performed without the company's prior authorization.

The warranty from IB Rubinetterie SpA is not renewable.

Cleaning

We recommended cleaning the finish surfaces with water and soap, using a soft cloth.

Do not use detergents that cointain hydrochloric acid or abrasive substances.