



WE ARE IB

Collection

LOVEME

Article

LM200

Description

Monohole washbasin mixer.

Box Dimensions

240x215x110 mm

Weight

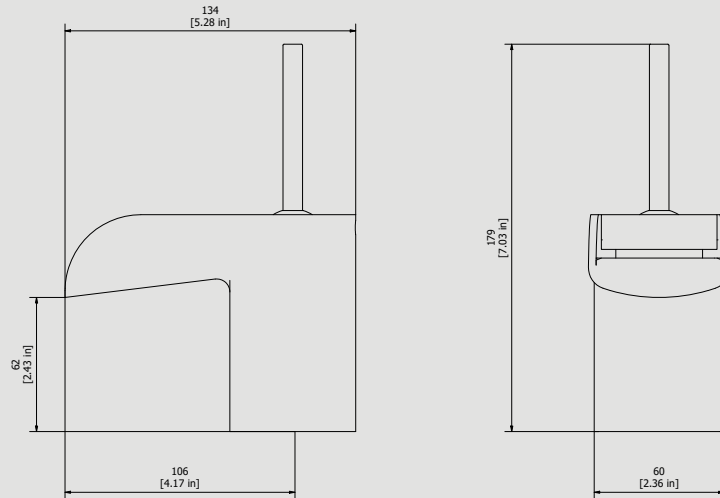
2.9 kg

Finishes

- CC** CHROME
- CF** BLACK CHROME
- OO** GOLD
- BB** ANTIQUE BRONZE
- SS** BRUSHED NICKEL
- CS** BRUSHED BLACK CHROME
- BO** MATT WHITE
- ONP** MATT BLACK
- IS** BRUSHED PALE GOLD
- OS** BRUSHED GOLD
- II** PALE GOLD
- RR** ANTIQUE COPPER
- ORS** ROSE GOLD
- ON** NATURAL BRASS
- SR** BRUSHED ROSE GOLD
- PL** PLATINUM



Dimensions



Cartridge

Ø35 ceramic cartridge

Hoses

Hoses M10x1 G1/2" F L400 DN8

Aerator

Flow Rate (+/-10%)

**1 BAR
10 l/min**

**2 BAR
10.2 l/min**

**3 BAR
10.5 l/min**

Production

Main body is a single casted pieces

Material

**BRASS
According to CuZn35Pb2AL-B (CB752S)
Max Lead content: 1.36%**

IB RUBINETTERIE s.p.a
via dei Pianotti 3/5
25068 Sarezzo (BS) - Italy -

T. +39 030 802101
F. +39 030 803097
info@weareib.it

P.IVA 01785230986
capitale sociale
€420.000,00 i.v.

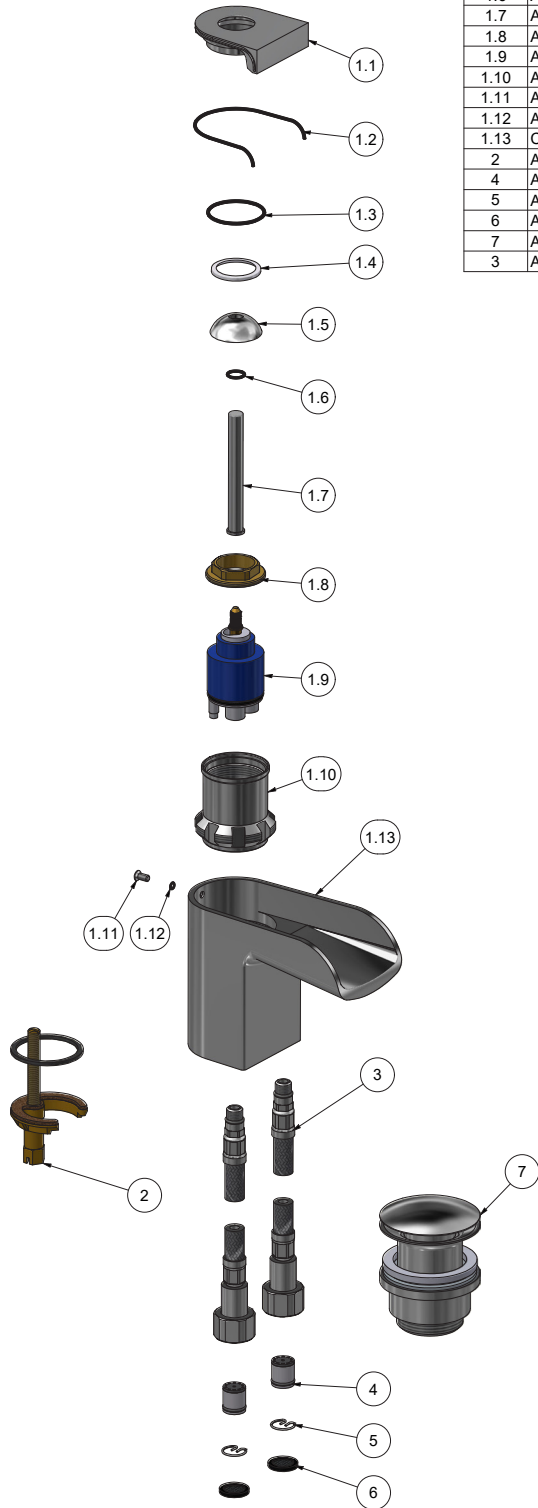
www.weareib.it





WE ARE IB

Parts list				
ITEMS	CODE	DESCRIPTION	FIN	QT
1	CPKLM200CCX01	Preassembled basin mixer	F	1
1.1	AQ0010800	Cover flange	F	1
1.2	AQ0010295	Rubber packing L.160 x 1,78	-	1
1.3	AQ0008026	OR 33.05x1.78 NBR 70 SH	-	1
1.4	AQ0010014	Antifriction ring for sphere H.2,5	G	1
1.5	AC0009974	Cover cartridge sphere	F	1
1.6	AQ0010077	OR 9x1.5 NBR 70 SH	-	1
1.7	AC0010230	Rod for lever	F	1
1.8	AQ001040	Cartridge ring nut M37x1.5 H9	G	1
1.9	AQ0010039	Ceramic cartridge joystick Ø35 with distribution	-	1
1.10	AC0010220	Insert for cartridge M50x1 H49.7	F	1
1.11	AQ0010280	Inox screw M4X8,5	-	1
1.12	AQ0010276	OR 3x1 NBR 70 SH	-	1
1.13	CC0001650	Basin body	F	1
2	AQ0010357	Fixing set	-	1
4	AQ0010290	Flow valve 6 Lt (31.4182.0)	-	2
5	AQ0009678	Elastic ring AISI 302	-	2
6	AQ0010360	Rubber packing 1/2" H2 with filter	-	2
7	AQ0009837	Simple rapid waste 1"1/4	F	1
3	AQ0010273	Hoses M10x1 G1/2" F L400 DN8	G	2





WE ARE IB

WARRANTY

All IB Rubinetterie SpA products are warranted for 10 years from the date of purchase, for the following cases:

- Defects of casting, porosity and chrome plating.
- Operating defects caused by incorrect fabrication.

The warranty provides for repair or replacement of products with fabrication defects recognized by our technical office. There is no other type of compensation anche the merchandise must be returned FOB our warehouse. The warranty only cover surface defects (scartches, dings, etc.) on fitting that have not been installed and used, returned in its original packaging with all components. O-ring, gasket seals and components subject to wear proportional to use are warranted for 2 years.

The warranty is void in the following cases:

Error installing and putting the product into service.

Deterioration of finished surfaces due to use of cleaning products containing acids or abrasive substances.

Deterioration of surface with finishes other than chrome plating. Their durability is, in fact, dependent on the user's care and gentleness of use.

Deterioration of the fitting due incorrect installation.

Improper repairs and maintenance performed without the company's prior authorization.

The warranty from IB Rubinetterie SpA is not renewable.

Cleaning

We recommanded cleaning the finish surfaces with water and soap, using a soft cloth.

Do not use detergents that cointain hydrochloric acid or abrasive substances.