



WE ARE IB

Collection

LOVEME

Article

LM204

Description

Mid-size monohole washbasin mixer.

Box Dimensions

425x188x98 mm

Weight

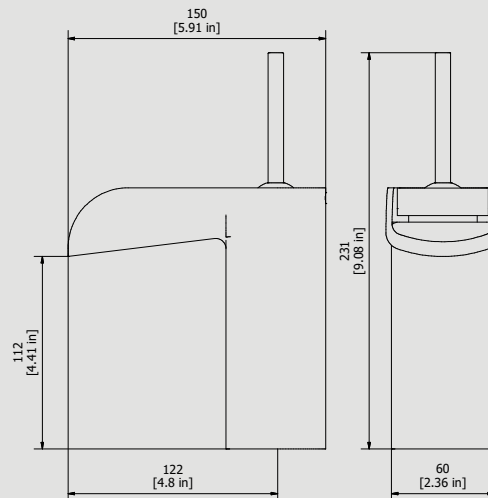
3.4 kg

Finishes

- CC** CHROME
- CF** BLACK CHROME
- OO** GOLD
- BB** ANTIQUE BRONZE
- SS** BRUSHED NICKEL
- CS** BRUSHED BLACK CHROME
- BO** MATT WHITE
- ONP** MATT BLACK
- IS** BRUSHED PALE GOLD
- OS** BRUSHED GOLD
- II** PALE GOLD
- RR** ANTIQUE COPPER
- ORS** ROSE GOLD
- ON** NATURAL BRASS
- SR** BRUSHED ROSE GOLD
- PL** PLATINUM



Dimensions



Cartridge

Ø35 ceramic cartridge

Hoses

Inox hoses G1/2" female 400 mms long

Aerator

Flow Rate (+/-10%)

1 BAR 7.3 l/min	2 BAR 8.9 l/min	3 BAR 11 l/min
---------------------------	---------------------------	--------------------------

Production

Main body is a single casted pieces

Material

BRASS
According to CuZn35Pb2AL-B (CB752S)
Max Lead content: 1.36%

IB RUBINETTERIE s.p.a
via dei Pianotti 3/5
25068 Sarezzo (BS) - Italy -

T. +39 030 802101
F. +39 030 803097
info@weareib.it

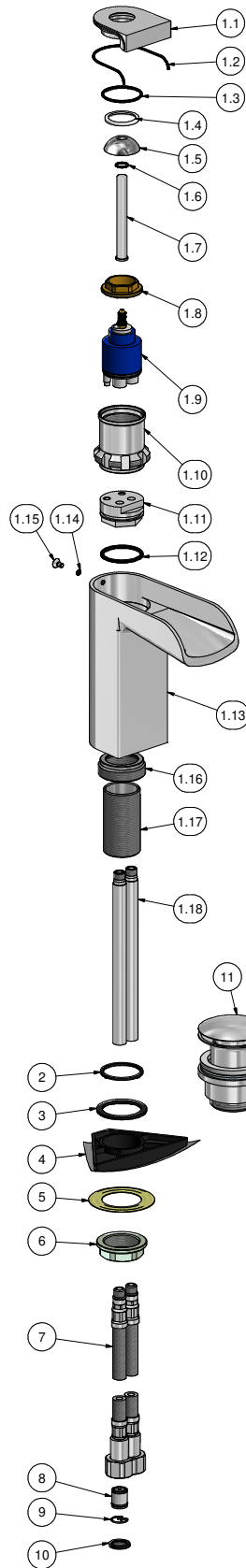
P.IVA 01785230986
capitale sociale
€420.000,00 i.v.

www.weareib.it





WE ARE IB



Elenco parti			
ELEM	CODICE	NUMERO DI MAGAZZINO	QT
1	CPKLM204 CCX03	Preassembled middle basin mixer	1
1.1	CC0002110	Cartridge cover flange	1
1.2	AQ0010295	Rubber packing L.160 x 1,78	1
1.3	AQ0008026	OR 33.05x1.78 NBR 70 SH	1
1.4	AQ0010014	Antifriction ring for sphere H.2,5	1
1.5	AC0009974	Cover cartridge sphere	1
1.6	AQ0010077	OR 9x1.5 NBR 70 SH	1
1.7	AC0010230	Rod for lever	1
1.8	AQ0001040	Cartridge ring nut M37x1.5 H9	1
1.9	AQ0010039	Ceramic cartridge joystick Ø35 with distribution	1
1.10	AC0010220	Insert for cartridge M50x1 H49.7	1
1.11	AC0010238	Connection piece for tall basin	1
1.12	AQ0001425	OR 33x2.62 NBR 70 SH	1
1.13	CC0001652	Medium basin mixer body	1
1.14	AQ0010276	OR 3x1 NBR 70 SH	1
1.15	AQL010280	Inox screw M4x8	1
1.16	AC0010239	Fixing plug for tall basin	1
1.17	AC0009680	Threaded stem M33x1.5 H61	1
1.18	AC0009764	Extension pipe mm130 10x1	2
2	AQ0010274	Rubber packing Ø38x33.5x2	1
3	AQ0008013	Rubber packing 45x35x2	1
4	AQ0009184	Support base for sink	1
5	AQ0000881	Inox flange Ø35.5x59	1
6	AC0009901	Nut M33x1.5 H13 nickel	1
7	AQ0010273	Inox hose M10x1 G1/2" F L400 DN8	2
8	AQ0010290	Flow valve 6 Lt (31.4182.0)	2
9	AQ0009678	Elastic ring AISI 302	2
10	AQ0010360	Rubber packing 1/2" H2 with filter	2
11	AQ0009837	Simple rapid waste 1"1/4	1



WE ARE IB

WARRANTY

All IB Rubinetterie SpA products are warranted for 10 years from the date of purchase, for the following cases:

- Defects of casting, porosity and chrome plating.
- Operating defects caused by incorrect fabrication.

The warranty provides for repair or replacement of products with fabrication defects recognized by our technical office. There is no other type of compensation anche the merchandise must be returned FOB our warehouse. The warranty only cover surface defects (scartches, dings, etc.) on fitting that have not been installed and used, returned in its original packaging with all components. O-ring, gasket seals and components subject to wear proportional to use are warranted for 2 years.

The warranty is void in the following cases:

Error installing and putting the product into service.

Deterioration of finished surfaces due to use of cleaning products containing acids or abrasive substances.

Deterioration of surface with finishes other than chrome plating. Their durability is, in fact, dependent on the user's care and gentleness of use.

Deterioration of the fitting due incorrect installation.

Improper repairs and maintenance performed without the company's prior authorization.

The warranty from IB Rubinetterie SpA is not renewable.

Cleaning

We recommanded cleaning the finish surfaces with water and soap, using a soft cloth.

Do not use detergents that cointain hydrochloric acid or abrasive substances.