



WE ARE IB

Collection

LOVEME

Article

LM300

Description

Exposed parts for manual wall mixer

Built-in body to be purchased separately INC300

Box Dimensions

150 x 190 x 98 mm

Weight

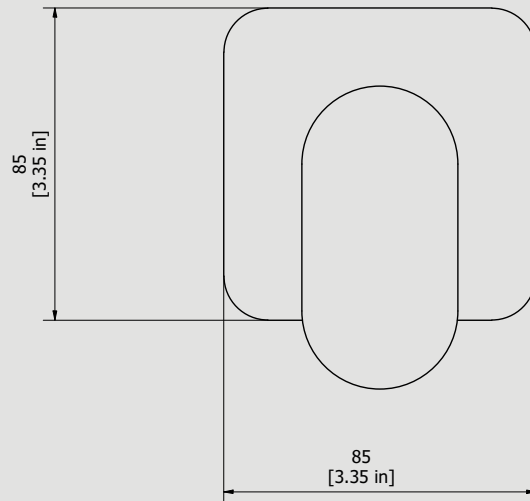
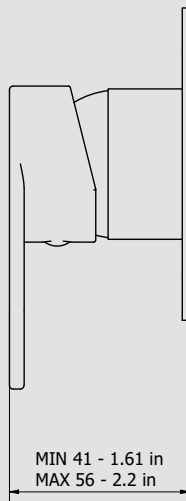
1.4 kg

Finishes

- CC**
CHROME
- CF**
BLACK CHROME
- OO**
GOLD
- BB**
ANTIQUÉ BRONZE
- SS**
BRUSHED NICKEL
- CS**
BRUSHED BLACK CHROME
- BO**
MATT WHITE
- NP**
MATT BLACK
- IS**
BRUSHED PALE GOLD
- OS**
BRUSHED GOLD
- II**
PALE GOLD
- RR**
ANTIQUÉ COPPER
- ORS**
ROSE GOLD
- ON**
NATURAL BRASS
- SR**
BRUSHED ROSE GOLD
- PL**
PLATINUM



Dimensions



Cartridge

Ø35 ceramic cartridge

Threaded fitting

Aerator

Flow Rate (+/-10%)

1 BAR
11.5 l/min

2 BAR
16.3 l/min

3 BAR
20 l/min

Production

Main body is a machined from a solid pieces

Material

BRASS
According to CuZn39Pb3 (CW614N)
Max Lead content: 2.5%

IB RUBINETTERIE s.p.a
via dei Pianotti 3/5
25068 Sarezzo (BS) - Italy -

T. +39 030 802101
F. +39 030 803097
info@weareib.it

P.IVA 01785230986
capitale sociale
€420.000,00 i.v.

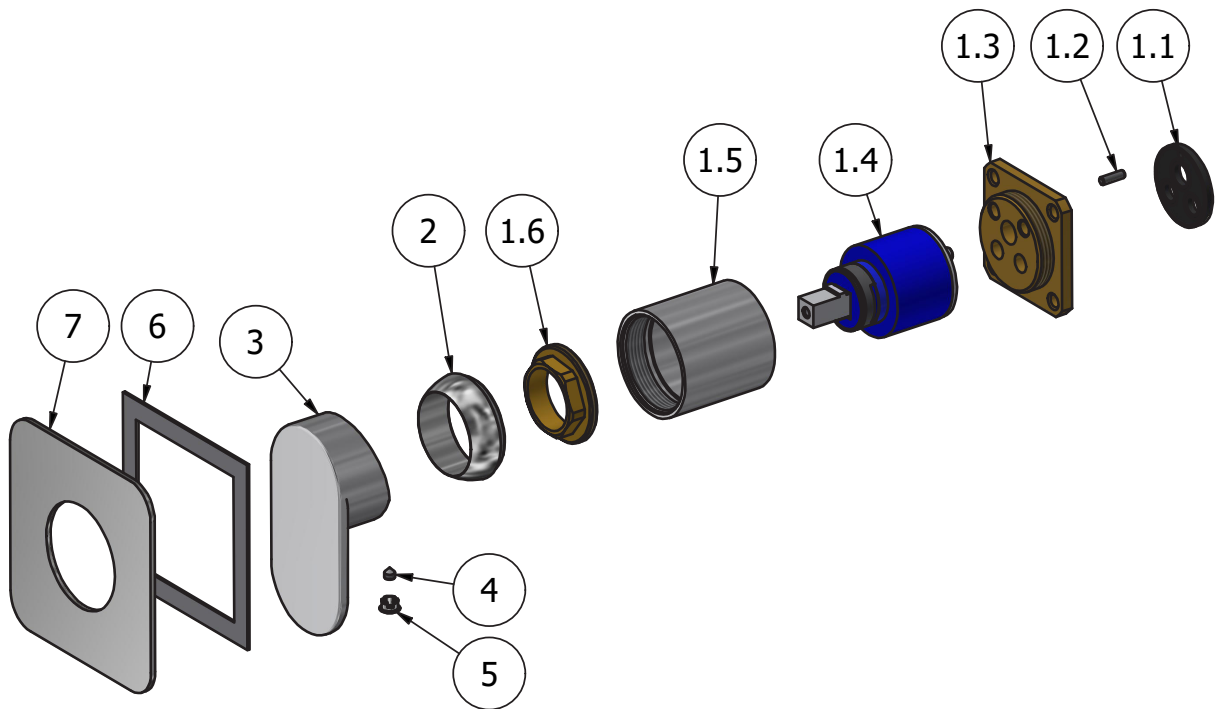
www.weareib.it





WE ARE **IB**

Parts list			
ELEM.	CODE	DESCRIPTION	QTÀ
1	CPIN206CC-19	Mixer 47x47 x recessed	1
1.1	AQ0015684	Gasket Ø31 H3.5 Ø7 Ø7.5	1
1.2	AQ0015357	Grubscrew M3x10 flat point	1
1.3	AS0013040	Insert 47x47 H11 M37x1.5	1
1.4	AQ0004095	Ceramic cartridge Ø35 9x9 (K35A)	1
1.5	AC0010445	Recessed ring Ø41 M37x1.5 H40.7	1
1.6	AQ0001040	Cartridge ring nut M37x1.5 H9	1
2	AQ0003630	Cartridge ring nut cover M37x1.5	1
3	AQ0014030	Lever	1
4	AQ0001082	Grubscrew M4x4 cone point	1
5	AQ0006650	Plug cover Ø7	1
6	AQ0015829	Rubber packing double-sided tape 75x75x8x1	1
7	AC0013100	Plate 85x85x2 300	1





WE ARE IB

WARRANTY

All IB Rubinetterie SpA products are warranted for 10 years from the date of purchase, for the following cases:

- Defects of casting, porosity and chrome plating.
- Operating defects caused by incorrect fabrication.

The warranty provides for repair or replacement of products with fabrication defects recognized by our technical office. There is no other type of compensation anche the merchandise must be returned FOB our warehouse. The warranty only cover surface defects (scartches, dings, etc.) on fitting that have not been installed and used, returned in its original packaging with all components. O-ring, gasket seals and components subject to wear proportional to use are warranted for 2 years.

The warranty is void in the following cases:

Error installing and putting the product into service.

Deterioration of finished surfaces due to use of cleaning products containing acids or abrasive substances.

Deterioration of surface with finishes other than chrome plating. Their durability is, in fact, dependent on the user's care and gentleness of use.

Deterioration of the fitting due incorrect installation.

Improper repairs and maintenance performed without the company's prior authorization.

The warranty from IB Rubinetterie SpA is not renewable.

Cleaning

We recommanded cleaning the finish surfaces with water and soap, using a soft cloth.

Do not use detergents that cointain hydrochloric acid or abrasive substances.