

Collection

LOVEME

Article

LM396

Description

Four holes deck mounted bath filler

Box Dimensions

425x188x98 mm

Weight

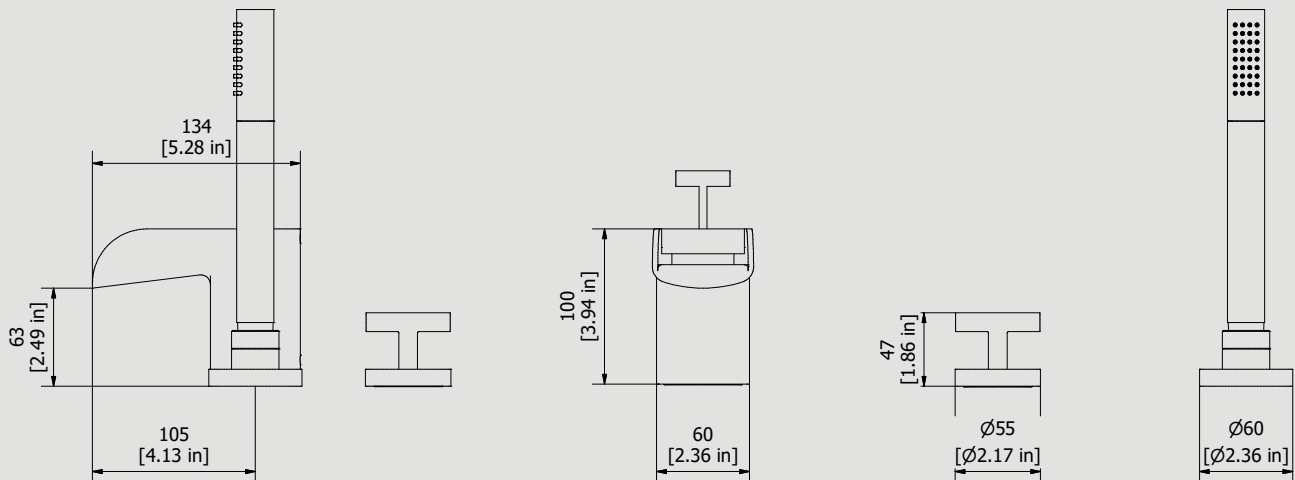
5.7 kg

Finishes

- **CC**
CHROME
- **CF**
BLACK CHROME
- **00**
GOLD
- **BB**
ANTIQUÉ BRONZE
- **SS**
BRUSHED NICKEL
- **CS**
BRUSHED BLACK CHROME
- **BO**
MATT WHITE
- **NP**
MATT BLACK
- **IS**
BRUSHED PALE GOLD
- **OS**
BRUSHED GOLD
- **II**
PALE GOLD
- **RR**
ANTIQUÉ COPPER
- **ORS**
ROSE GOLD
- **ON**
NATURAL BRASS
- **SR**
BRUSHED ROSE GOLD
- **PL**
PLATINUM



Dimensions



Cartridge

G1/2" ceramic headwork

Hoses

Inox flexible hose G3/4" F G1/2" F L600

Aerator

Flow Rate (+/-10%)

1 BAR	2 BAR	3 BAR
12.8 l/min	15.9 l/min	18.3 l/min

Production

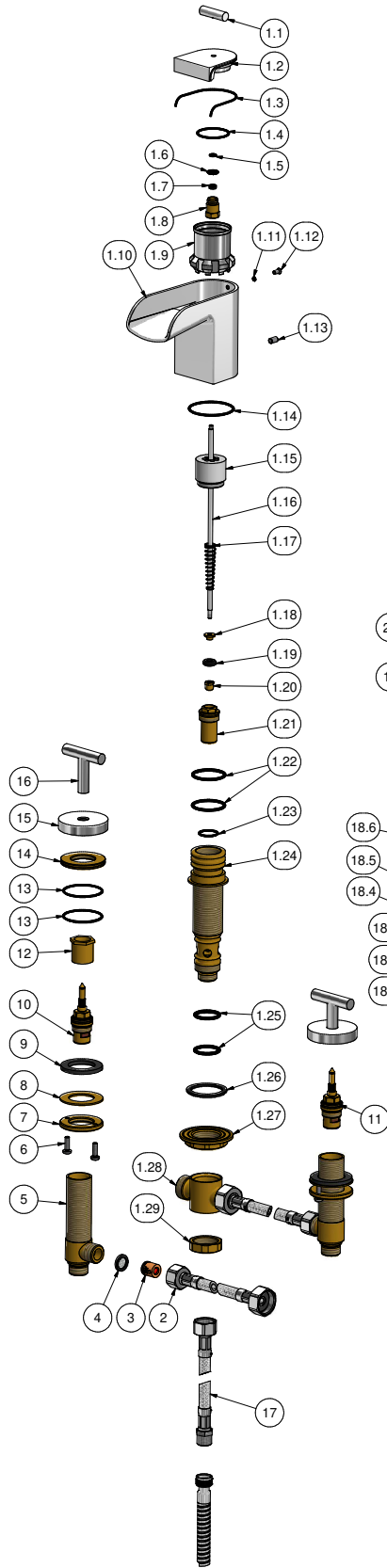
Main body is a single casted pieces

Material

BRASS
According to CuZn35Pb2Al-B (CB752S)
Max Lead content: 1.36%



WE ARE IB



Elenco parti			
ELEM	CODICE	NUMERO DI MAGAZZINO	QT
1	CPKLM396 CCX01	Preassembled spout-out	1
1.1	AC0007150	Knob Ø10 L35 M4	1
1.2	CC0002112	Flange 53x61x13.8	1
1.3	AQ00010295	Rubber packing L.160 x 1.78	1
1.4	AQ0008026	OR 33.05x1.78 NBR 70 SH	1
1.5	AQ0004620	OR 4.47x1.78 NBR 70 SH	1
1.6	AQ0004180	OR 9.25x1.78 NBR 70 SH	1
1.7	AQ0009563	Gaco Ø8 Ø4.3 H3	1
1.8	AS0010125	Nut M12x1 CH 14 H21.5	1
1.9	AC0010648	Liner for cartridge	1
1.10	CC0001695	Basin body	1
1.11	AQ0010276	OR 3x1 NBR 70 SH	1
1.12	AQ0010280	Inox screw M4X8.5	1
1.13	AQ0001091	Grub screw M6x10 p.p.	1
1.14	AQ0013456	OR 47x2 NBR 70 SH	1
1.15	AS0011430	Plug Ø33.5 H30	1
1.16	AS0010258	Rod for diverter	1
1.17	AQ0010163	Spring DE13 Ø8 for diverter	1
1.18	AS0010079	Hub H5.5 for diverter	1
1.19	AQ0010164	Biconic packing Ø15 Ø12 H5	1
1.20	AS0010080	Nut H9 for diverter	1
1.21	AS0010081	Insert Ø23 M22x1 CH16 H40	1
1.22	AQ0001425	OR 33x2.62 NBR 70 SH	2
1.23	AQ0004640	OR Ø18.77 x Ø1.78 NBR 70 SH	1
1.24	AS0010083	Diverter body H150	1
1.25	AQ0010174	OR 24x3 NBR 70 SH	2
1.26	AQ0008013	Rubber packing 45x35x2	1
1.27	AS0010078	Ring nut 1" for diverter	1
1.28	CT0002100	Cross body for bath side	1
1.29	AS0010082	Nut M28x1 CH35 H9.3	1
2	AQ0009553	Inox flexible hose G3/4" F G1/2" F M8x12 L600	2
3	AQ0013246	Flow reduction valve Ø15 9 lt/m	2
4	AQ0010360	Rubber packing 1/2" H2 with filter	2
5	AQ0010299	Clamping nut for bath tube	2
6	AQ0010358	Inox screw M5x16	4
7	AS0010326	Fixing ring with screw W28x19	2
8	AQ0010302	Brass washer Ø50 x 28 x 1,5	2
9	AQ0000292	Rubber packing Ø45xØ27 H4	2
10	AQ0010298	Ceramic headwork SX	1
11	AQ0010297	Ceramic headwork DX	1
12	AS0010256	Fixing nut for basin set base	1
13	AQ0001440	OR 41x1.78 NBR 70 SH	4
14	AC0010255	Fixing nut 28x19 H5	2
15	AC0010254	Base Ø55 H11	2
16	CC0002115	T handle Ø12 H50	2
17	AQ0009554	Inox hose G1/2" F G3/8" M L600	1
18	CP9447CC-1	Preassembled handshower support	1
18.1	AS0002010	Clamping nut 26 x 19 H5 CH30	1
18.2	AQ0001650	Inox washer 39 x 26,5 x 1	1
18.3	AQ0009716	Rubber packing 38x30x2	1
18.4	AQ0011181	Sponge Ø54 Ø30 H.10	1
18.5	AC0008013	Base for handle W26x19	1
18.6	AC0009447	Connection piece 26x19 H76	1
19	AQ0009555	Hose G1/2" cone G3/8" F L150	1
20	AQ0013557	Onair hand shower	1



WE ARE IB

WARRANTY

All IB Rubinetterie SpA products are warranted for 10 years from the date of purchase, for the following cases:

- Defects of casting, porosity and chrome plating.
- Operating defects caused by incorrect fabrication.

The warranty provides for repair or replacement of products with fabrication defects recognized by our technical office. There is no other type of compensation anche the merchandise must be returned FOB our warehouse. The warranty only cover surface defects (scartches, dings, etc.) on fitting that have not been installed and used, returned in its original packaging with all components. O-ring, gasket seals and components subject to wear proportional to use are warranted for 2 years.

The warranty is void in the following cases:

Error installing and putting the product into service.

Deterioration of finished surfaces due to use of cleaning products containing acids or abrasive substances.

Deterioration of surface with finishes other than chrome plating. Their durability is, in fact, dependent on the user's care and gentleness of use.

Deterioration of the fitting due incorrect installation.

Improper repairs and maintenance performed without the company's prior authorization.

The warranty from IB Rubinetterie SpA is not renewable.

Cleaning

We recommanded cleaning the finish surfaces with water and soap, using a soft cloth.

Do not use detergents that cointain hydrochloric acid or abrasive substances.