

Collection

LOVEME

Article

LM397

Description

Four holes bath filler with overflow.

Box Dimensions

425x188x98 mm

Weight

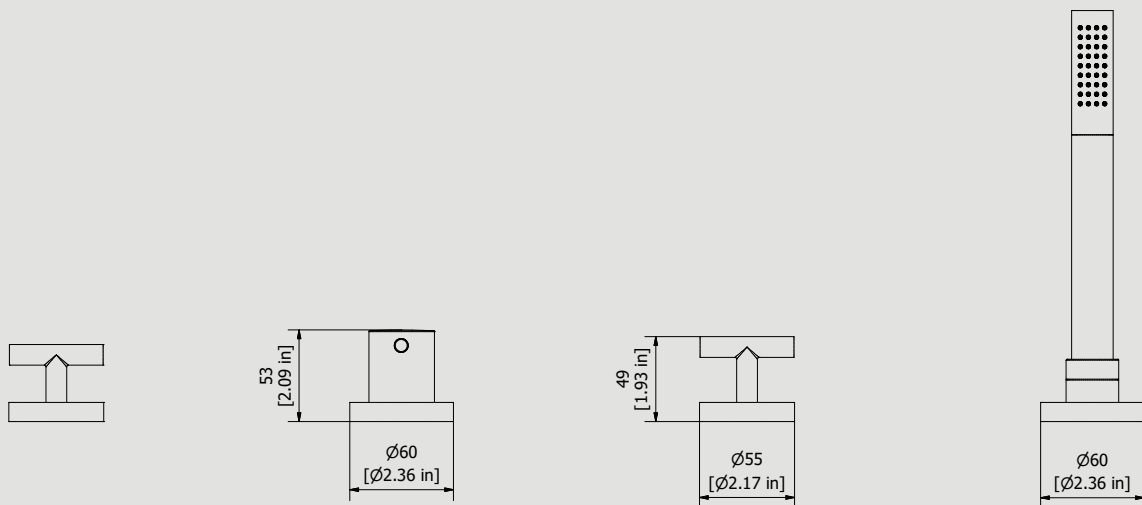
4.5 kg

Finishes

- **CC**
CHROME
- **CF**
BLACK CHROME
- **OO**
GOLD
- **BB**
ANTIQUE BRONZE
- **SS**
BRUSHED NICKEL
- **CS**
BRUSHED BLACK CHROME
- **BO**
MATT WHITE
- **NP**
MATT BLACK
- **IS**
BRUSHED PALE GOLD
- **OS**
BRUSHED GOLD
- **II**
PALE GOLD
- **RR**
ANTIQUE COPPER
- **ORS**
ROSE GOLD
- **ON**
NATURAL BRASS
- **SR**
BRUSHED ROSE GOLD
- **PL**
PLATINUM



Dimensions



Cartridge

G1/2" ceramic headwork

Hoses

Hose G1/2" F G1/2" M L600

Aerator

Flow Rate (+/-10%)

1 BAR	2 BAR	3 BAR
19 l/min	27 l/min	33 l/min

Production

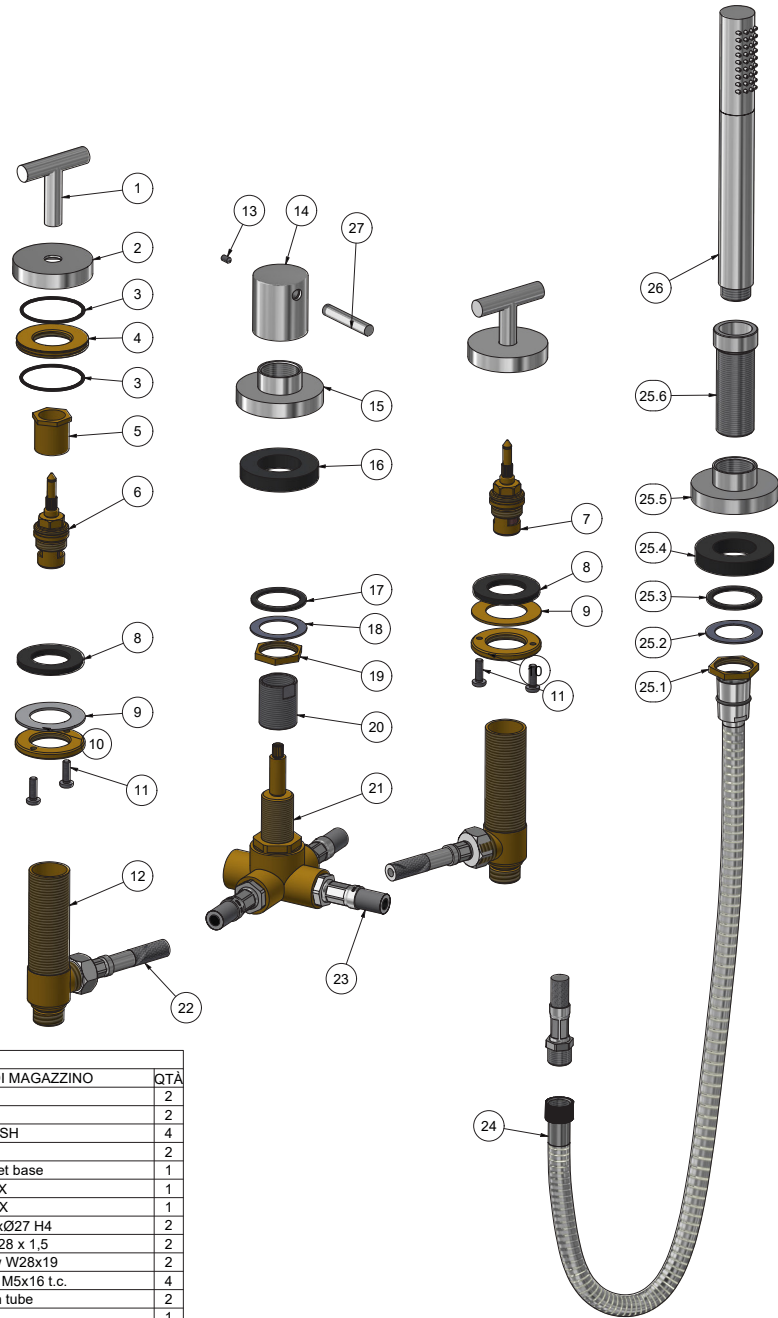
Main body is a single casted pieces

Material

BRASS
According to CuZn35Pb2Al-B (CB752S)
Max Lead content: 1.36%



WE ARE IB



Elenco parti			
ELEM.	CODICE	NUMERO DI MAGAZZINO	QTÀ
1	CC0002115	T handle Ø12 H50	2
2	AC0010254	Base Ø55 H11	2
3	AQ0001440	OR 41x1.78 NBR 70 SH	4
4	AN0010255	Fixing nut 28x19 H5	2
5	AS0010256	Fixing nut for basin set base	1
6	AQ0010298	Ceramic headwork SX	1
7	AQ0010297	Ceramic headwork DX	1
8	AQ0000292	Rubber packing Ø45xØ27 H4	2
9	AQ0010302	Brass washer Ø50 x 28 x 1,5	2
10	AS0010326	Fixing ring with screw W28x19	2
11	AQ0010358	Inox screw ISO 7045 M5x16 t.c.	4
12	AQ0010299	Clamping nut for bath tube	2
13	AQ0006649	Grubscrew M4x8 p.c.	1
14	AC0007109	Handle Ø38 H42	1
15	AC0008013	Base for handle W26x19	1
16	AQ0011181	Sponge Ø54 Ø30 H.10	1
17	AQ0009716	Rubber packing 38x30x2	1
18	AQ0001650	Inox washer 39 x 26,5 x 1	1
19	AS0002010	Clamping nut 26 x 19 H5 CH30	1
20	AS0009995	Bush for headwork W26 x 19 W22 x 19	1
21	AQ0009455	Diverter 2 in 2 out	1
22	AQ0010652	Hose G1/2" F G1/2" M L600	2
23	AQ0010653	Hose G1/2" M G3/8" M L600	3
24	AQ0009555	Hose G3/8" G1/2" cone	1
25	CP9447CC-1	Preassembled handshower support	1
25.1	AS0002010	Clamping nut 26 x 19 H5 CH30	1
25.2	AQ0001650	Inox washer 39 x 26,5 x 1	1
25.3	AQ0009716	Rubber packing 38x30x2	1
25.4	AQ0011181	Sponge Ø54 Ø30 H.10	1
25.5	AC0008013	Base for handle W26x19	1
25.6	AC0009447	Connection piece 26x19 H76	1
26	AQ0013557	Onair hand shower	1
27	AC0014230	Rod Ø8 H47 M8x1.25	1



WE ARE IB

WARRANTY

All IB Rubinetterie SpA products are warranted for 10 years from the date of purchase, for the following cases:

- Defects of casting, porosity and chrome plating.
- Operating defects caused by incorrect fabrication.

The warranty provides for repair or replacement of products with fabrication defects recognized by our technical office. There is no other type of compensation anche the merchandise must be returned FOB our warehouse. The warranty only cover surface defects (scartches, dings, etc.) on fitting that have not been installed and used, returned in its original packaging with all components. O-ring, gasket seals and components subject to wear proportional to use are warranted for 2 years.

The warranty is void in the following cases:

Error installing and putting the product into service.

Deterioration of finished surfaces due to use of cleaning products containing acids or abrasive substances.

Deterioration of surface with finishes other than chrome plating. Their durability is, in fact, dependent on the user's care and gentleness of use.

Deterioration of the fitting due incorrect installation.

Improper repairs and maintenance performed without the company's prior authorization.

The warranty from IB Rubinetterie SpA is not renewable.

Cleaning

We recommanded cleaning the finish surfaces with water and soap, using a soft cloth.

Do not use detergents that cointain hydrochloric acid or abrasive substances.