

Collection

## MARMO

Article

### MM393\_1

Description

#### Three holes bidet

Box Dimensions

470 x 290 x 160 mm

Weight

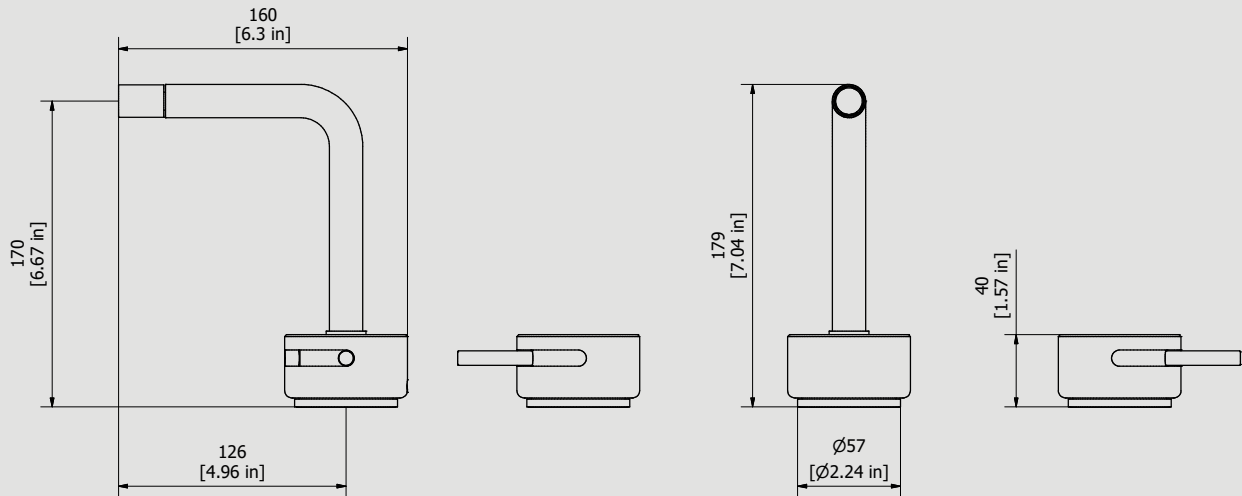
4.3 kg

Finishes

- **CC**  
CHROME
- **CF**  
BLACK CHROME
- **OO**  
GOLD
- **MB**  
MODERN BRONZE
- **SS**  
BRUSHED NICKEL
- **CS**  
BRUSHED BLACK CHROME
- **BO**  
MATT WHITE
- **NP**  
MATT BLACK
- **IS**  
BRUSHED PALE GOLD
- **OS**  
BRUSHED GOLD
- **II**  
PALE GOLD
- **RR**  
ANTIQUÉ COPPER
- **RS**  
ROSE GOLD
- **ON**  
NATURAL BRASS
- **SR**  
BRUSHED ROSE GOLD
- **PL**  
PLATINUM



Dimensions



Cartridge

**G1/2" ceramic headworks**

Treated fitting

**Treated fitting G1/2" male**

Aerator

**M16.5x1**

Flow Rate (+/-10%)

|              |              |              |
|--------------|--------------|--------------|
| <b>1 BAR</b> | <b>2 BAR</b> | <b>3 BAR</b> |
| 4.2 l/min    | 5 l/min      | 5 l/min      |

Production

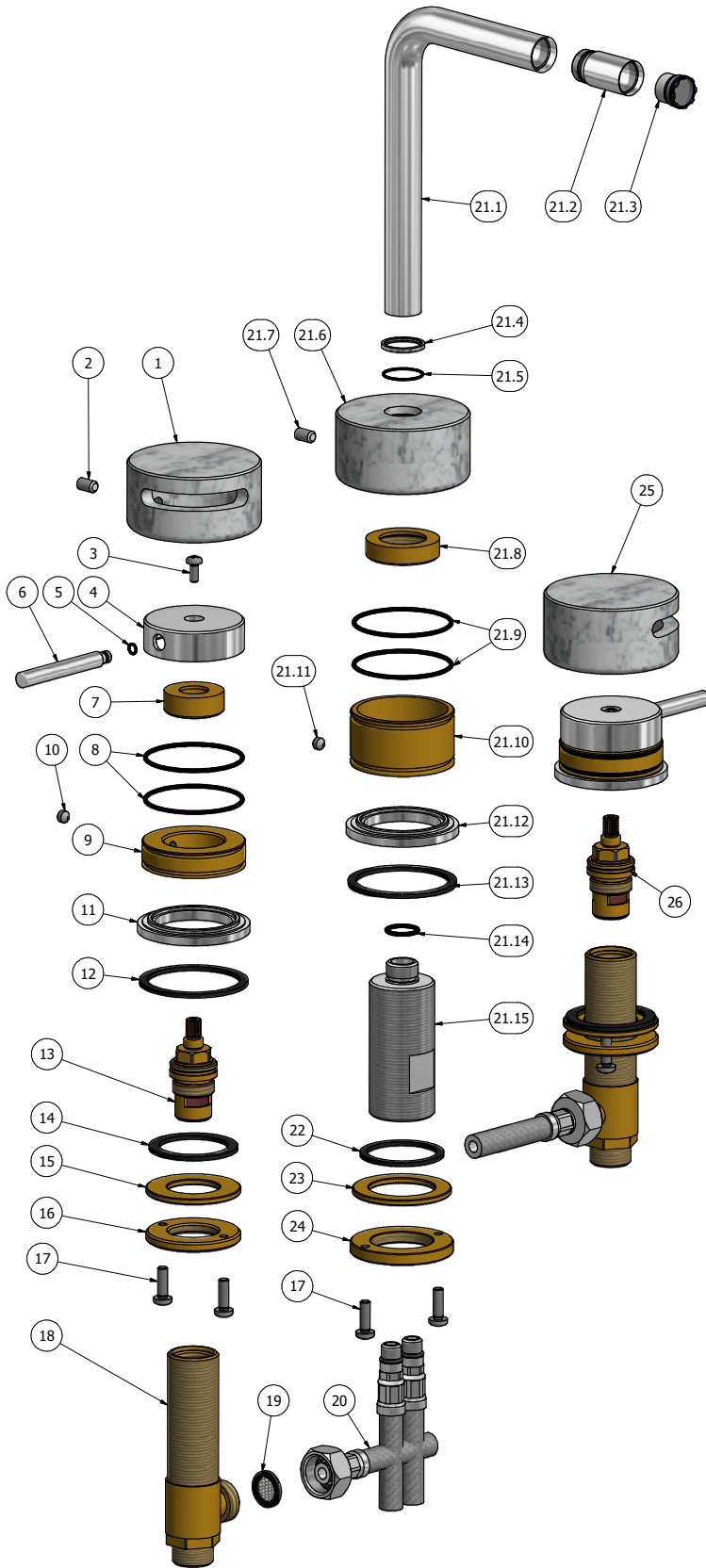
**Main body is a machined from a solid pieces**

Material

**BRASS**  
According to CuZn45 (CW510L)  
Max Lead content: 0.2%



WE ARE IB



| Elenco parti |              |  |    |
|--------------|--------------|--|----|
| ELEM         | CODICE       | NUMERO DI MAGAZZINO                                | QT |
| 1            | AQ0014839    | Barble cover Ø68 H35 left                          | 1  |
| 2            | AQ0015105    | Nylon grubscrow M6x10 taglio cacciavite p.p.       | 2  |
| 3            | AQ0002160    | Inox screw M4x10                                   | 2  |
| 4            | AC0012459    | Handle Ø51 H15.5                                   | 2  |
| 5            | AQ0010327    | OR 4x1 NBR 70 SH                                   | 2  |
| 6            | AC0012453    | Rod Ø8 M6 H63                                      | 2  |
| 7            | AS0012451    | Insert to fixed Ø30.3 H11 M24x1                    | 2  |
| 8            | AQ0001450    | OR 47.37x1.78 NBR 70 SH                            | 4  |
| 9            | AS0012454    | Base for handle Ø52.4 H13                          | 2  |
| 10           | AQ0013370    | Grubscrow M6x5 cone point                          | 2  |
| 11           | AC0012458    | Base Ø57 H6.8 Ø39                                  | 2  |
| 12           | AQ0011028    | Flat gasket Ø55 Ø47 H2                             | 2  |
| 13           | AQ0002135    | Ceramic headwork 90° left                          | 1  |
| 14           | AQ0008013    | Rubber packing 45x35x2                             | 2  |
| 15           | AS0010697    | Washer Ø48 x Ø26.5 x3                              | 2  |
| 16           | AS0010698    | Ring nut W26x19                                    | 2  |
| 17           | AQ0010358    | Inox screw M5x16                                   | 6  |
| 18           | AS0002250    | Washbasin upright W26x19                           | 2  |
| 19           | AQ0010360    | Rubber packing 1/2" H2 with filter                 | 2  |
| 20           | AQ0010273    | Inox hose M10x1 G1/2" L400                         | 2  |
| 21           | CPMM393C C-1 | Preassembled spout out bidet                       | 1  |
| 21.1         | AC0012492    | Spout Ø18.5 H164 L100                              | 1  |
| 21.2         | AQ0014888    | Junction cachè Ø18 (06.8983.10000)                 | 1  |
| 21.3         | AQ0015104    | Perlator PCA Cachè honeycomb 1.5 gpm (44.3356.010) | 1  |
| 21.4         | AC0012561    | Ring Ø22 Ø18.9 H2                                  | 1  |
| 21.5         | AQ0015009    | OR 19x1 NBR 70 SH                                  | 1  |
| 21.6         | AQ0014837    | Marble cover Ø68 H35 carrara's white               | 1  |
| 21.7         | AQ0015105    | Nylon grubscrow M6x10 taglio cacciavite p.p.       | 1  |
| 21.8         | AS0012499    | Insert for fixed Ø37.3 H9.5 M33x1.5                | 1  |
| 21.9         | AQ0001450    | OR 47.37x1.78 NBR 70 SH                            | 2  |
| 21.10        | AS0012452    | Base Ø52 H28                                       | 1  |
| 21.11        | AQ0013370    | Grubscrow M6x5 cone point                          | 1  |
| 21.12        | AC0012458    | Base Ø57 H6.8 Ø39                                  | 1  |
| 21.13        | AQ0011028    | Flat gasket Ø55 Ø47 H2                             | 1  |
| 21.14        | AQ0009818    | OR 14x1.78 NBR 70 SH                               | 1  |
| 21.15        | AC0012449    | Threaded stem M33x1.5 M16x1 H80                    | 1  |
| 22           | AQ0008012    | Plane seal Ø42.5x35.5x2                            | 1  |
| 23           | AS0010659    | Brass ring Ø50x35.5x3                              | 1  |
| 24           | AS0010658    | Ring nut with screwed holes Ø52 M33x1.5 H6         | 1  |
| 25           | AQ0014842    | Marble cover Ø68 H35 right                         | 1  |
| 26           | AQ0003930    | Ceramic headwork 90° right                         | 1  |



WE ARE IB

### **WARRANTY**

All IB Rubinetterie SpA products are warranted for 10 years from the date of purchase, for the following cases:

- Defects of casting, porosity and chrome plating.
- Operating defects caused by incorrect fabrication.

The warranty provides for repair or replacement of products with fabrication defects recognized by our technical office. There is no other type of compensation anche the merchandise must be returned FOB our warehouse. The warranty only cover surface defects (scartches, dings, etc.) on fitting that have not been installed and used, returned in its original packaging with all components. O-ring, gasket seals and components subject to wear proportional to use are warranted for 2 years.

#### **The warranty is void in the following cases:**

Error installing and putting the product into service.

Deterioration of finished surfaces due to use of cleaning products containing acids or abrasive substances.

Deterioration of surface with finishes other than chrome plating. Their durability is, in fact, dependent on the user's care and gentleness of use.

Deterioration of the fitting due incorrect installation.

Improper repairs and maintenance performed without the company's prior authorization.

The warranty from IB Rubinetterie SpA is not renewable.

#### **Cleaning**

We recommanded cleaning the finish surfaces with water and soap, using a soft cloth.

Do not use detergents that cointain hydrochloric acid or abrasive substances.