

Collection

MARMO

Article

MR209_1

Description

Mono hole wall mounted washbasin mixer

Box Dimensions

360 x 220 x 150 mm

Weight

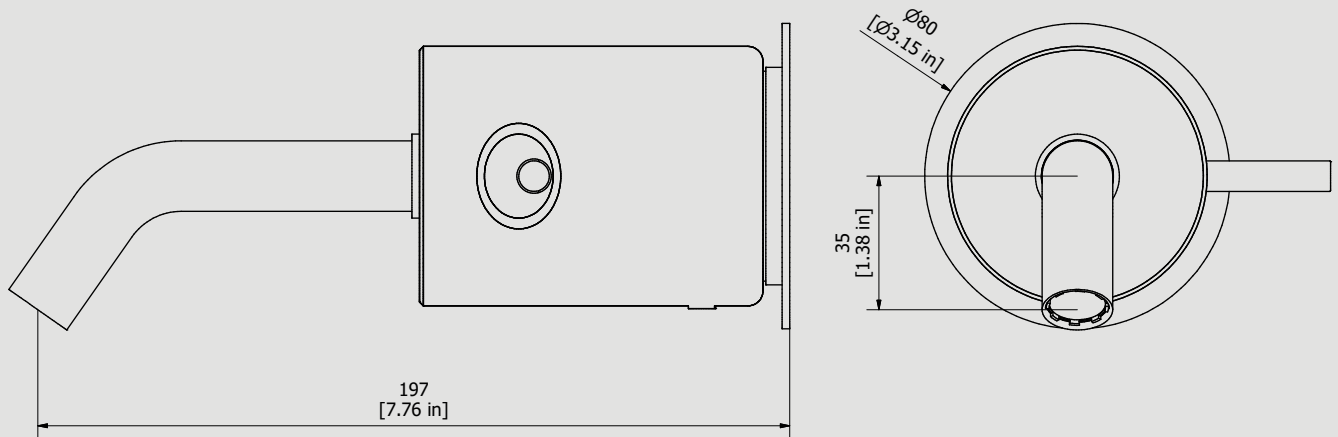
3.8 kg

Finishes

- **CC**
CHROME
- **CF**
BLACK CHROME
- **OO**
GOLD
- **BB**
ANTIQUÉ BRONZE
- **SS**
BRUSHED NICKEL
- **CS**
BRUSHED BLACK CHROME
- **BO**
MATT WHITE
- **NP**
MATT BLACK
- **IS**
BRUSHED PALE GOLD
- **OS**
BRUSHED GOLD
- **II**
PALE GOLD
- **RR**
ANTIQUÉ COPPER
- **RS**
ROSE GOLD
- **ON**
NATURAL BRASS
- **SR**
BRUSHED ROSE GOLD
- **PL**
PLATINUM



Dimensions



Cartridge

Ø25 ceramic cartridge

Treaded fitting

Treaded fitting G1/2" male

Aerator

M16.5x1

Flow Rate (+/-10%)

1 BAR	2 BAR	3 BAR
4.2 l/min	5 l/min	5 l/min

Production

Main body is a machined from a solid pieces

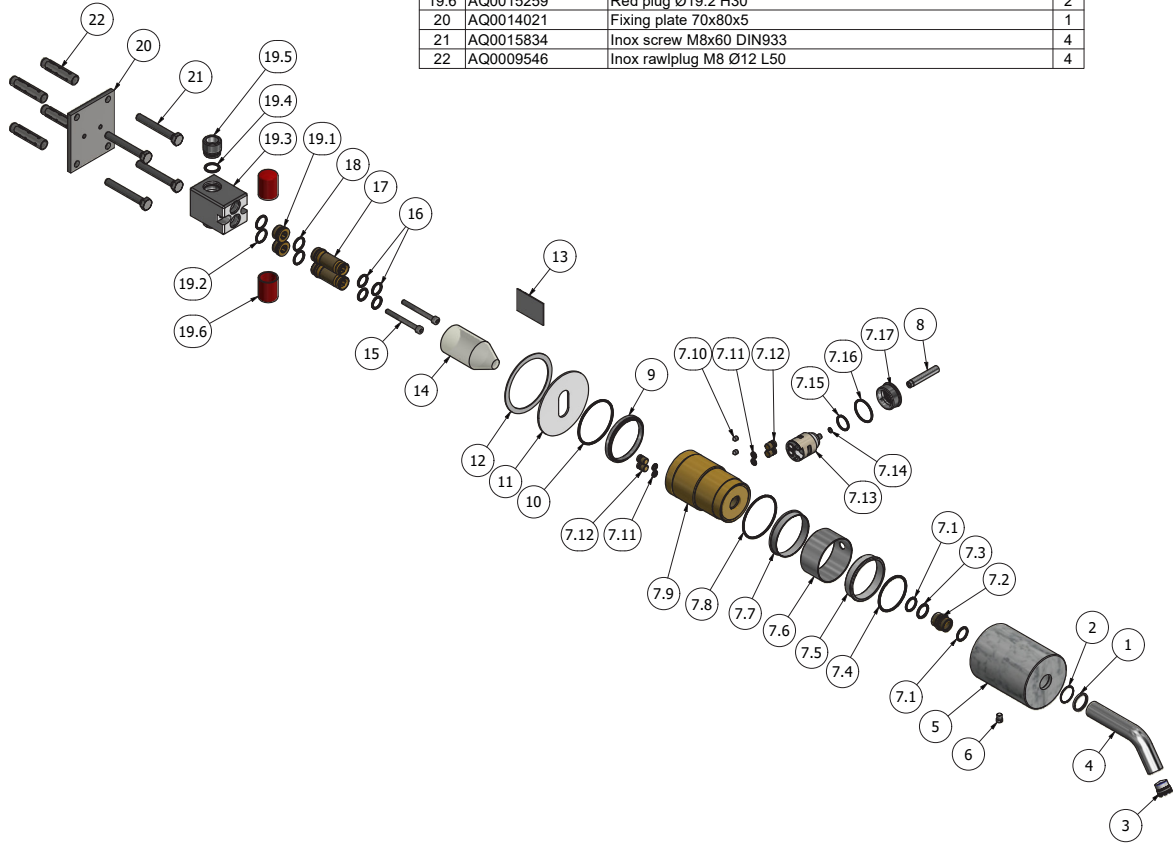
Material

BRASS
According to CuZn42 (CW510L)
Max Lead content: 0.2%



WE ARE IB

Parts list			
ELEM.	CODE	DESCRIPTION	QTA
1	AC0012561	Ring Ø22 Ø18.9 H2	1
2	AQ0015009	OR 19x1 NBR 70 SH	1
3	AQ0015104	Perlator PCA Cachè honeycomb laminar 1.5 gpm (44.3356.010)	1
4	AC0012483	Spout Ø18.5 H110 125°	1
5	AQ0014940	Marble cover Ø68 H90 carrara's white	1
6	AQ0015557	Screw Ø7.1 M6 H9 white	1
7	CPMR209CC-1	Preassembled recessed washbasin mixer	1
7.1	AQ0009818	OR 14x1.78 NBR 70 SH	2
7.2	AS0012601	Insert M16x1 M13x1 H19	1
7.3	AQ0001390	OR 14x2 NBR 70 SH	1
7.4	AQ0013363	OR 41x2 NBR 70 SH	1
7.5	AQ0014774	Antifriction ring Ø55.3 Ø52.9 Ø49.1 H11	1
7.6	AC0012428	Ring Ø55.2 H28	1
7.7	AQ0014775	Antifriction ring Ø55.3 Ø51.2 H10	1
7.8	AQ0010432	OR 50.52x1.78 NBR 70 SH	1
7.9	AN0012481	Mixer body Ø55 Ø51 H85	1
7.10	AQ0014670	Grubscrew M5x6 cone point	2
7.11	AQ0001410	OR 4.2x1.9 NBR 70 SH	4
7.12	AS0010569	Plug M8x1 H11 CH3	4
7.13	AQ0014769	Ceramic cartridge Ø25 open M6x1	1
7.14	AQ0010327	OR 4x1 NBR 70 SH	1
7.15	AQ0004600	OR 15.6x1.78 NBR 70 SH	1
7.16	AQ0006586	OR 25.12x1.78 NBR 70 SH	1
7.17	AN0012426	Cartridge's nut M28x1 Ø30 H13	1
8	AC0012425	Rod Ø5 H45 M6x1	1
9	AC0012427	Base Ø57 H6.5	1
10	AQ0014771	OR 52x2 NBR 70 SH	1
11	AC0012482	Plate Ø80 H2	1
12	AQ0014919	Rubber packing double-sided tape Ø75xØ63x1	1
13	AQ0014106	Label MIN MAX	1
14	AQ0014044	Protection Ø30 Ø35 H70	1
15	AQ0013064		2
16	AQ0006998	OR 12x2 NBR 70 SH	4
17	AS0011313	Connection for faucet body L46	2
18	AQ0009818	OR 14x1.78 NBR 70 SH	2
19	CP11309CC-1	Preassembled recessed	1
19.1	AS0012986	Plug G3/8" H11	2
19.2	AQ0009818	OR 14x1.78 NBR 70 SH	2
19.3	AN0011309	Recessed body 40x40x55	1
19.4	AQ0001390	OR 14x2 NBR 70 SH	2
19.5	AC0011892	Shower connection piece G1/2" M19x1 H19	2
19.6	AQ0015259	Red plug Ø19.2 H30	2
20	AQ0014021	Fixing plate 70x80x5	1
21	AQ0015834	Inox screw M8x60 DIN933	4
22	AQ0009546	Inox rawplug M8 Ø12 L50	4





WE ARE IB

WARRANTY

All IB Rubinetterie SpA products are warranted for 10 years from the date of purchase, for the following cases:

- Defects of casting, porosity and chrome plating.
- Operating defects caused by incorrect fabrication.

The warranty provides for repair or replacement of products with fabrication defects recognized by our technical office. There is no other type of compensation anche the merchandise must be returned FOB our warehouse. The warranty only cover surface defects (scartches, dings, etc.) on fitting that have not been installed and used, returned in its original packaging with all components. O-ring, gasket seals and components subject to wear proportional to use are warranted for 2 years.

The warranty is void in the following cases:

Error installing and putting the product into service.

Deterioration of finished surfaces due to use of cleaning products containing acids or abrasive substances.

Deterioration of surface with finishes other than chrome plating. Their durability is, in fact, dependent on the user's care and gentleness of use.

Deterioration of the fitting due incorrect installation.

Improper repairs and maintenance performed without the company's prior authorization.

The warranty from IB Rubinetterie SpA is not renewable.

Cleaning

We recommanded cleaning the finish surfaces with water and soap, using a soft cloth.

Do not use detergents that cointain hydrochloric acid or abrasive substances.