

Collection

## MARMO

Article

### MR307\_1

Description

Wall mounted widespread lavatory faucet with long spout

Box Dimensions

470 x 290 x 160 mm

Weight

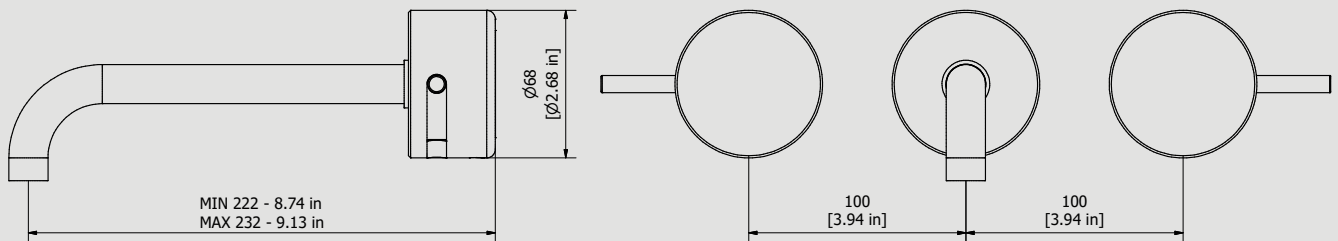
5.1 kg

Finishes

- **CC**  
CHROME
- **CF**  
BLACK CHROME
- **OO**  
GOLD
- **BB**  
ANTIQUE BRONZE
- **SS**  
BRUSHED NICKEL
- **CS**  
BRUSHED BLACK CHROME
- **BO**  
MATT WHITE
- **NP**  
MATT BLACK
- **IS**  
BRUSHED PALE GOLD
- **OS**  
BRUSHED GOLD
- **II**  
PALE GOLD
- **RR**  
ANTIQUE COPPER
- **RS**  
ROSE GOLD
- **ON**  
NATURAL BRASS
- **SR**  
BRUSHED ROSE GOLD
- **PL**  
PLATINUM



Dimensions



Cartridge

G1/2" ceramic headworks

Treaded fitting

Treaded fitting G1/2" female

Aerator

M16.5x1

Flow Rate (+/-10%)

<b>1 BAR</b> 4.2 l/min	<b>2 BAR</b> 5 l/min	<b>3 BAR</b> 5 l/min
---------------------------	-------------------------	-------------------------

Production

Main body is a single casted pieces

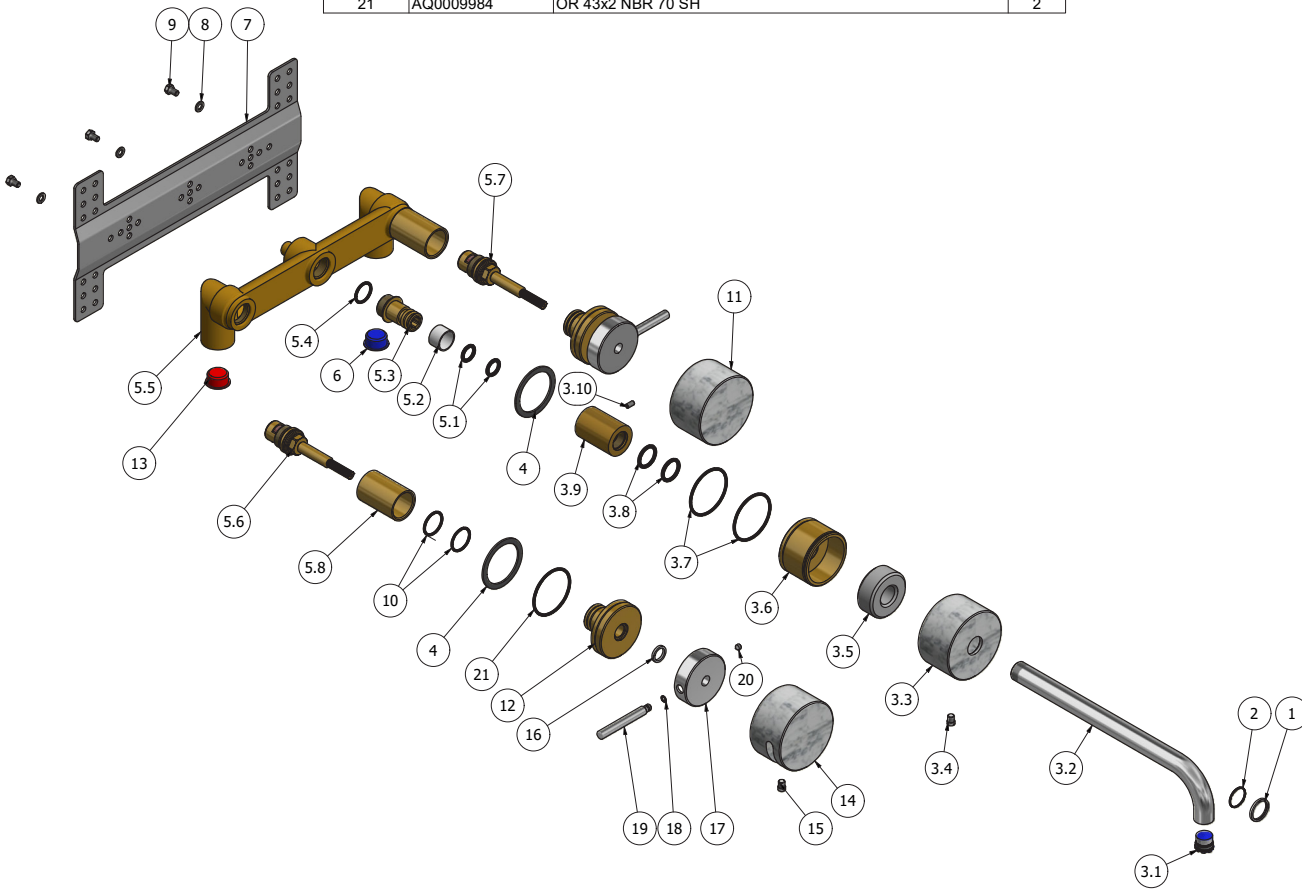
Material

**BRASS**  
According to CuZn35PbAl-B (CB752S)  
Max Lead content: 1.36%



WE ARE IB

Parts list			
ELEM.	CODE	DESCRIPTION	QTÀ
1	AC0012589	Ring Ø22 Ø18.4 H2	1
2	AQ0015101	OR 18x1 NBR 70 SH	1
3	CPMR11996CC-1	Preassembled spout out	1
3.1	AQ0015104	Perlator PCA Cachè honeycomb laminar 1.5 gpm (44.3356.010)	1
3.2	AC0011996	Spout-out M18x1 M16.5x1 Ø18 L244	1
3.3	AQ0014838	Marble cover Ø68 H40 carrara's white	1
3.4	AQ0015557	Screw Ø7.1 M6 H9 white	1
3.5	AQ0015118	PTFE insert Ø44.95 Ø18.2 H19	1
3.6	AS0012475	Ring for spout Ø52.4 H34	1
3.7	AQ0009984	OR 43x2 NBR 70 SH	2
3.8	AQ0010978	OR 17.46x2.62 NBR 70 SH	2
3.9	AS0011554	Insert Ø30 L42	1
3.10	AQ0006921	Grubscrew M4x8 flat point	1
4	AQ0009591	Gasket plane Ø40 Ø49.5 H1.5	3
5	CPMR206CC-1	Preassembled recessed mixer	1
5.1	AQ0001360	OR 11.91x2.62 NBR 70 SH	2
5.2	AQ0010143	Antifriction ring Ø20 H12.5	1
5.3	AS0012306	Spout-out insert G1/2" H40	1
5.4	AQ0009841	OR 17x2 NBR 70 SH	1
5.5	CT0001905	Recessed body 3 hole Int. 200 G1/2"	1
5.6	AQ0014917	Ceramic headwork 90° left red (FCN0796S-6090RS)	1
5.7	AQ0014918	Ceramic headwork 90° right cold blue (FCN0796D-6090BL)	1
5.8	AS0012477	Ring Ø30 M24x1 H44	2
6	AQ0014538	Blu thread's protecting cap Ø19	1
7	AQ0009362	Inox plate 280x150	1
8	AS0013067	Washer M5 UNI 6592	3
9	AQ0009429	Inox screw M5x8 DIN933	3
10	AQ0001400	OR 20.35x1.78 NBR 70 SH	4
11	AQ0014843	Marble cover Ø68 H60 right	1
12	AS0012478	Handle's support Ø52.4 Ø24.8 H35	2
13	AQ0014537	Red thread's protecting cap Ø19	1
14	AQ0014840	Marble cover Ø68 H40 left	1
15	AQ0015557	Screw Ø7.1 M6 H9 white	2
16	AQ0011066	Antifriction ring Ø15.8x13.2x2.2	2
17	AC0012479	Handle Ø51 H22	2
18	AQ0010327	OR 4x1 NBR 70 SH	2
19	AC0012453	Rod Ø8 M6 H63	2
20	AQ0009729	Grubscrew M5x5 cone point	2
21	AQ0009984	OR 43x2 NBR 70 SH	2





WE ARE IB

### **WARRANTY**

All IB Rubinetterie SpA products are warranted for 10 years from the date of purchase, for the following cases:

- Defects of casting, porosity and chrome plating.
- Operating defects caused by incorrect fabrication.

The warranty provides for repair or replacement of products with fabrication defects recognized by our technical office. There is no other type of compensation anche the merchandise must be returned FOB our warehouse. The warranty only cover surface defects (scartches, dings, etc.) on fitting that have not been installed and used, returned in its original packaging with all components. O-ring, gasket seals and components subject to wear proportional to use are warranted for 2 years.

#### **The warranty is void in the following cases:**

Error installing and putting the product into service.

Deterioration of finished surfaces due to use of cleaning products containing acids or abrasive substances.

Deterioration of surface with finishes other than chrome plating. Their durability is, in fact, dependent on the user's care and gentleness of use.

Deterioration of the fitting due incorrect installation.

Improper repairs and maintenance performed without the company's prior authorization.

The warranty from IB Rubinetterie SpA is not renewable.

#### **Cleaning**

We recommanded cleaning the finish surfaces with water and soap, using a soft cloth.

Do not use detergents that cointain hydrochloric acid or abrasive substances.