



WE ARE IB

Collection

## MARMO

Article

### MR312\_2

Description

**Exposed parts for manual wall mixer with three ways diverter**

**Built-in to be purchased separately INC312**

Box Dimensions

**240 x 215 x 110 mm**

Weight

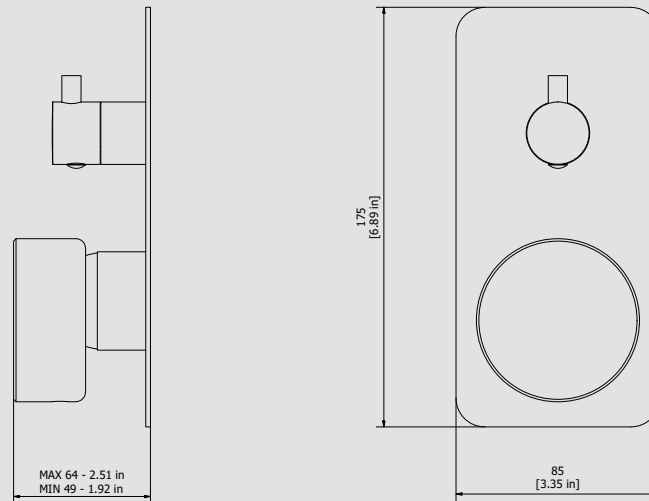
**2.4 kg**



Finishes

- **CC** CHROME
- **CF** BLACK CHROME
- **OO** GOLD
- **BB** ANTIQUE BRONZE
- **SS** BRUSHED NICKEL
- **CS** BRUSHED BLACK CHROME
- **BO** MATT WHITE
- **NP** MATT BLACK
- **IS** BRUSHED PALE GOLD
- **OS** BRUSHED GOLD
- **II** PALE GOLD
- **RR** ANTIQUE COPPER
- **RS** ROSE GOLD
- **ON** NATURAL BRASS
- **SR** BRUSHED ROSE GOLD
- **PL** PLATINUM

Dimensions



Cartridge

**Ø35 ceramic cartridges**

Treaded fitting

-

Aerator

-

Flow Rate (+/-10%)

**1 BAR**  
**9.5 l/min**

**2 BAR**  
**13.4 l/min**

**3 BAR**  
**16.9 l/min**

Production

**Main body is a machined from a solid pieces**

Material

**BRASS**  
**According to CuZn39Pb3 (CW614N)**  
**Max Lead content: 2.5%**

**IB RUBINETTERIE s.p.a**  
via dei Pianotti 3/5  
25068 Sarezzo (BS) - Italy -

T. +39 030 802101  
F. +39 030 803097  
info@weareib.it

P.IVA 01785230986  
capitale sociale  
€420.000,00 i.v.

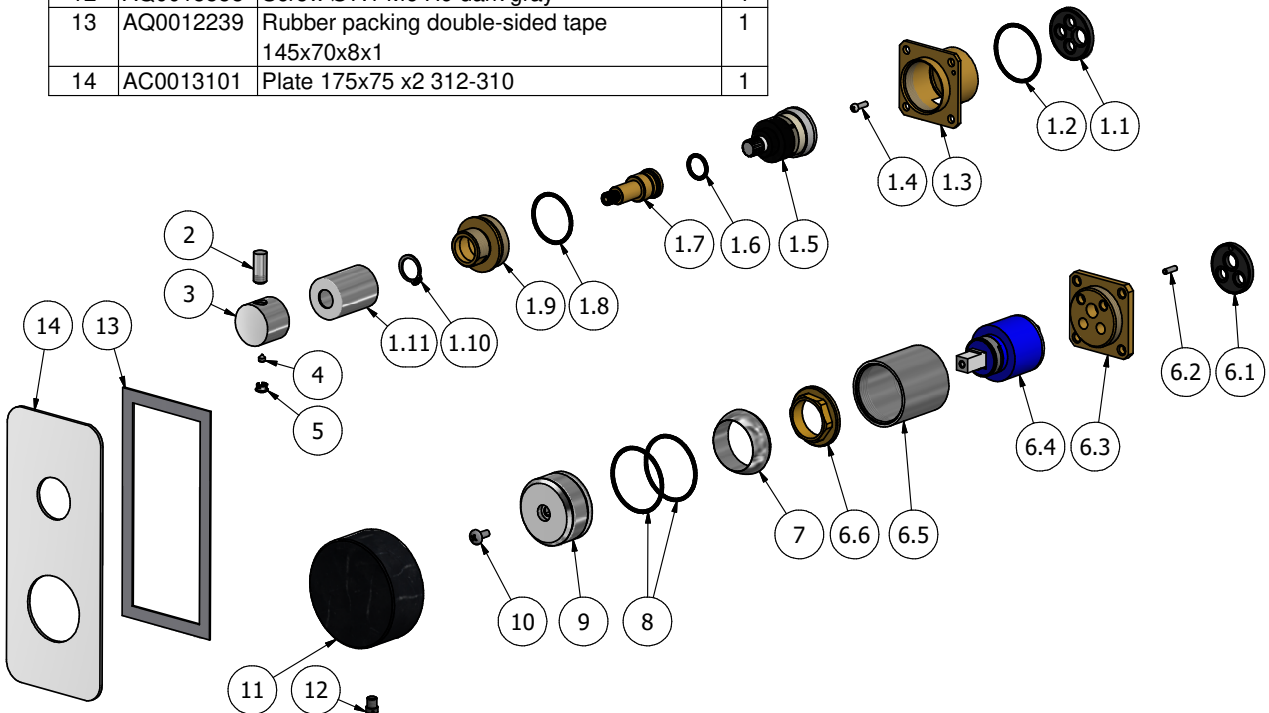
[www.weareib.it](http://www.weareib.it)





WE ARE IB

| Parts list |                   |  |    |
|------------|-------------------|--|----|
| ELEM       | CODE              | DESCRIPTION                                    | QT |
| 1          | CPDEV3VC<br>CXN_1 | Preassembled diverter three ways               | 1  |
| 1.1        | AQ0015686         | Rubber Ø32 H4                                  | 1  |
| 1.2        | AQ0008026         | OR 33.05x1.78 NBR 70 SH                        | 1  |
| 1.3        | AS0013047         | Insert 47x47x32                                | 1  |
| 1.4        | AQ0012206         | Inox screw M3x10                               | 1  |
| 1.5        | AQ0014857         | Diverter cartridge 3 outlets 180°              | 1  |
| 1.6        | AQ0004610         | OR 12.42x1.78 NBR 70 SH                        | 1  |
| 1.7        | AS0013048         | Rod Ø17.9 H42.4                                | 1  |
| 1.8        | AQ0010597         | OR 28.3x1.78 NBR 70 SH                         | 1  |
| 1.9        | AS0013050         | Junction M32x1 M22x1 H23                       | 1  |
| 1.10       | AQ0015748         | Seeger ring Ø14 H1                             | 1  |
| 1.11       | AC0013054         | Ring Ø26 M22x1 F H33                           | 1  |
| 2          | AC0007092         | Handle knob M8 H19                             | 1  |
| 3          | AC0011372         | Diverter's knob Ø26 H20                        | 1  |
| 4          | AQ0001082         | Grubscrew M4x4 cone point                      | 1  |
| 5          | AQ0006650         | Plug cover Ø7                                  | 1  |
| 6          | CPIN206CC<br>-19  | Mixer 47x47 x recessed                         | 1  |
| 6.1        | AQ0015684         | Gasket Ø31 x Ø3.5                              | 1  |
| 6.2        | AQ0015357         | Grubscrew M3x10 flat point                     | 1  |
| 6.3        | AS0013040         | Insert q.47x47 h11 M22x1M x mixer              | 1  |
| 6.4        | AQ0004095         | Ceramic cartridge Ø35 9x9 (K35A)               | 1  |
| 6.5        | AC0010445         | Ring for recessed shower mixer                 | 1  |
| 6.6        | AQ0001040         | Cartridge ring nut M37x1.5 H9                  | 1  |
| 7          | AQ0003630         | Cartridge ring nut cover M37x1.5               | 1  |
| 8          | AQ0006415         | OR 37.82x1.78 NBR 70 SH                        | 2  |
| 9          | AC0012490         | Handle Ø41.9 H20.5                             | 1  |
| 10         | AQ0002160         | Screw M4x10                                    | 1  |
| 11         | AQ0014921         | Marble handle cover Ø68 H30                    | 1  |
| 12         | AQ0015558         | Screw Ø7.1 M6 H9 dark gray                     | 1  |
| 13         | AQ0012239         | Rubber packing double-sided tape<br>145x70x8x1 | 1  |
| 14         | AC0013101         | Plate 175x75 x2 312-310                        | 1  |





WE ARE IB

### **WARRANTY**

All IB Rubinetterie SpA products are warranted for 10 years from the date of purchase, for the following cases:

- Defects of casting, porosity and chrome plating.
- Operating defects caused by incorrect fabrication.

The warranty provides for repair or replacement of products with fabrication defects recognized by our technical office. There is no other type of compensation anche the merchandise must be returned FOB our warehouse. The warranty only cover surface defects (scartches, dings, etc.) on fitting that have not been installed and used, returned in its original packaging with all components. O-ring, gasket seals and components subject to wear proportional to use are warranted for 2 years.

#### **The warranty is void in the following cases:**

Error installing and putting the product into service.

Deterioration of finished surfaces due to use of cleaning products containing acids or abrasive substances.

Deterioration of surface with finishes other than chrome plating. Their durability is, in fact, dependent on the user's care and gentleness of use.

Deterioration of the fitting due incorrect installation.

Improper repairs and maintenance performed without the company's prior authorization.

The warranty from IB Rubinetterie SpA is not renewable.

#### **Cleaning**

We recommanded cleaning the finish surfaces with water and soap, using a soft cloth.

Do not use detergents that cointain hydrochloric acid or abrasive substances.