

Collection

MARMO

Article

MR313_22

Description

Exposed parts for manual wall mixer with two ways

Built-in to be purchased separately INC313

Box Dimensions

353 x 225 x 226 mm

Weight

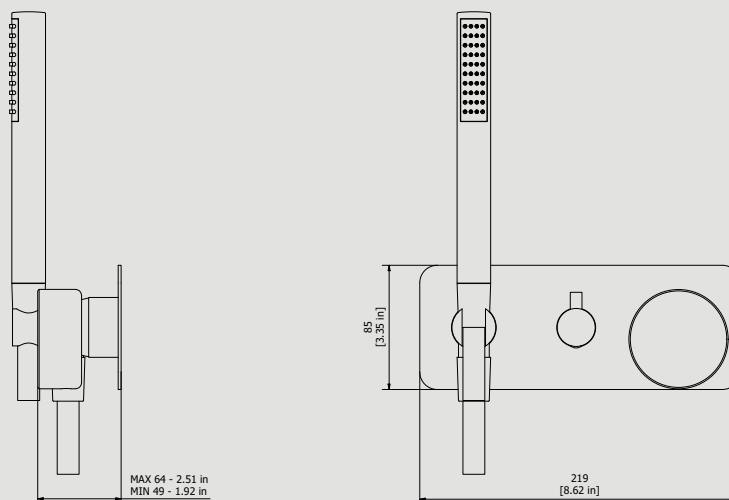
3.2 kg

Finishes

- **CC**
CHROME
- **CF**
BLACK CHROME
- **OO**
GOLD
- **BB**
ANTIQUÉ BRONZE
- **SS**
BRUSHED NICKEL
- **CS**
BRUSHED BLACK CHROME
- **BO**
MATT WHITE
- **NP**
MATT BLACK
- **IS**
BRUSHED PALE GOLD
- **OS**
BRUSHED GOLD
- **II**
PALE GOLD
- **RR**
ANTIQUÉ COPPER
- **RS**
ROSE GOLD
- **ON**
NATURAL BRASS
- **SR**
BRUSHED ROSE GOLD
- **PL**
PLATINUM



Dimensions



Cartridge

Ø35 ceramic cartridges

Treaded fitting

Aerator

Flow Rate (+/-10%)

1 BAR
10 l/min

2 BAR
14.1 l/min

3 BAR
17.2 l/min

Production

Main body is a machined from a solid pieces

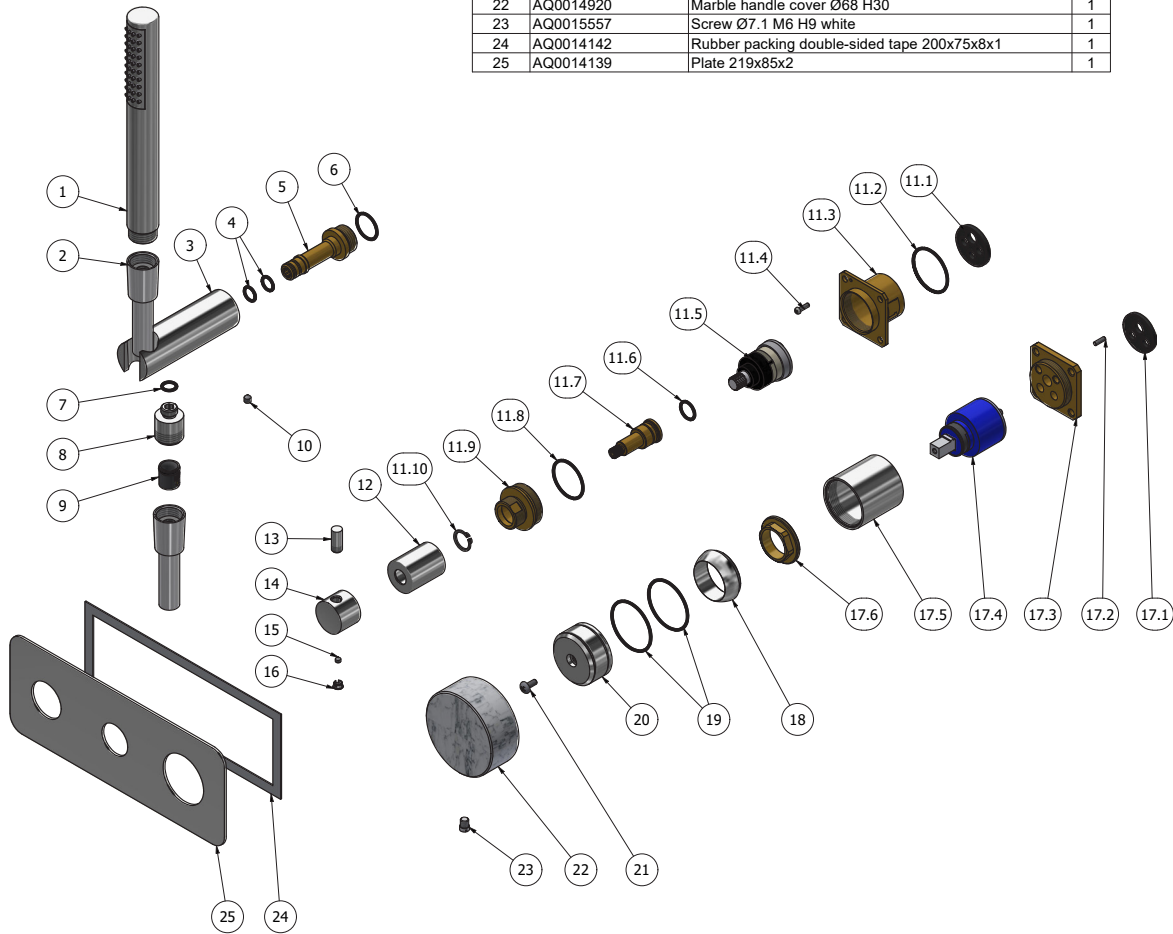
Material

BRASS
According to CuZn39Pb3 (CW614N)
Max Lead content: 2.5%



WE ARE IB

Parts list			
ELEM.	CODE	DESCRIPTION	QTA
1	AQ0012085	Hand shower stilo Ø23 H196	1
2	AQ0010066	Supreme chromalux flexible hose	1
3	AC0013053	Hand shower's support Ø30 L94.8	1
4	AQ0004180	OR 9.25x1.78 NBR 70 SH	2
5	AS0013051	Bayonet coupling G1/2" M H64.9	1
6	AQ0004640	OR 18.77x1.78 NBR 70 SH	1
7	AQ0001340	OR 8.73x1.78 NBR 70 SH	1
8	AC0013052	Reduction G1/2" M M12x1 M H20.5	1
9	AQ0013247	Flow reduction+CV Ø15 4L	1
10	AQ0014670	Grubscrew M5x6 cone point	1
11	CPDEV2VCCXN_1	90 ° built-in 2-way diverter 48x48 z8x20	1
11.1	AQ0015686	Rubber Ø32 H4	1
11.2	AQ0008026	OR 33.05x1.78 NBR 70 SH	1
11.3	AS0013047	Insert 47x47x32	1
11.4	AQ0012206	Inox screw M3x10	1
11.5	AQ0017450	Cartridge dev. 2 outputs 90°	1
11.6	AQ0004610	OR 12.42x1.78 NBR 70 SH	1
11.7	AS0013048	Rod Ø17.9 H42.4	1
11.8	AQ0010597	OR 28.3x1.78 NBR 70 SH	1
11.9	AS0013050	Junction M32x1 M22x1 H23	1
11.10	AQ0015748	Seeger ring Ø14 H1	1
12	AC0013054	Ring Ø26 M22x1 F H33	1
13	AC0007092	Handle knob M8 H19	1
14	AC0011372	Diverter's knob Ø26 H20	1
15	AQ0001082	Grub screw M4x4 cone point	1
16	AQ0006650	Plug cover Ø7	1
17	CPIN206CC-19	Mixer 47x47 x recessed	1
17.1	AQ0015684	Gasket Ø31 H3.5 Ø7 Ø7.5	1
17.2	AQ0015357	Grubscrew M3x10 flat point	1
17.3	AS0013040	Insert 47x47 H11 M37x1.5	1
17.4	AQ0004095	Ceramic cartridge Ø35 9x9 (K35A)	1
17.5	AC0010445	Ring for recessed shower mixer	1
17.6	AQ0001040	Cartridge ring nut M37x1.5 H9	1
18	AQ0003630	Cartridge ring nut cover M37x1.5	1
19	AQ0006415	OR 37.82x1.78 NBR 70 SH	2
20	AC0012490	Handle Ø41.9 H20.5	1
21	AQ0002160	Screw M4x10	1
22	AQ0014920	Marble handle cover Ø68 H30	1
23	AQ0015557	Screw Ø7.1 M6 H9 white	1
24	AQ0014142	Rubber packing double-sided tape 200x75x8x1	1
25	AQ0014139	Plate 219x85x2	1





WE ARE IB

WARRANTY

All IB Rubinetterie SpA products are warranted for 10 years from the date of purchase, for the following cases:

- Defects of casting, porosity and chrome plating.
- Operating defects caused by incorrect fabrication.

The warranty provides for repair or replacement of products with fabrication defects recognized by our technical office. There is no other type of compensation anche the merchandise must be returned FOB our warehouse. The warranty only cover surface defects (scartches, dings, etc.) on fitting that have not been installed and used, returned in its original packaging with all components. O-ring, gasket seals and components subject to wear proportional to use are warranted for 2 years.

The warranty is void in the following cases:

Error installing and putting the product into service.

Deterioration of finished surfaces due to use of cleaning products containing acids or abrasive substances.

Deterioration of surface with finishes other than chrome plating. Their durability is, in fact, dependent on the user's care and gentleness of use.

Deterioration of the fitting due incorrect installation.

Improper repairs and maintenance performed without the company's prior authorization.

The warranty from IB Rubinetterie SpA is not renewable.

Cleaning

We recommanded cleaning the finish surfaces with water and soap, using a soft cloth.

Do not use detergents that cointain hydrochloric acid or abrasive substances.