

Collection

## MARMO

Article

### MR327\_2

Description

**Wall mounted spout**

Box Dimensions

**425 x 188 x 98 mm**

Weight

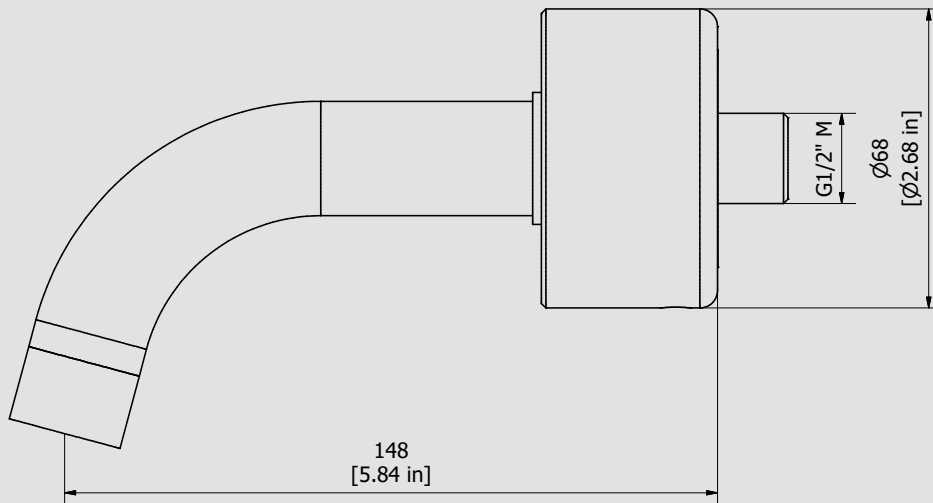
**1.1 kg**



Finishes

- **CC**  
CHROME
- **CF**  
BLACK CHROME
- **OO**  
GOLD
- **BB**  
ANTIQUÉ BRONZE
- **SS**  
BRUSHED NICKEL
- **CS**  
BRUSHED BLACK CHROME
- **BO**  
MATT WHITE
- **NP**  
MATT BLACK
- **IS**  
BRUSHED PALE GOLD
- **OS**  
BRUSHED GOLD
- **II**  
PALE GOLD
- **RR**  
ANTIQUÉ COPPER
- **RS**  
ROSE GOLD
- **ON**  
NATURAL BRASS
- **SR**  
BRUSHED ROSE GOLD
- **PL**  
PLATINUM

Dimensions



Cartridge

-

Treaded fitting

**Treaded fitting G1/2" male**

Aerator

**M24x1**

Flow Rate (+/-10%)

**1 BAR  
6.5 l/min**

**2 BAR  
8 l/min**

**3 BAR  
8 l/min**

Production

**Main body is a machined from a solid pieces**

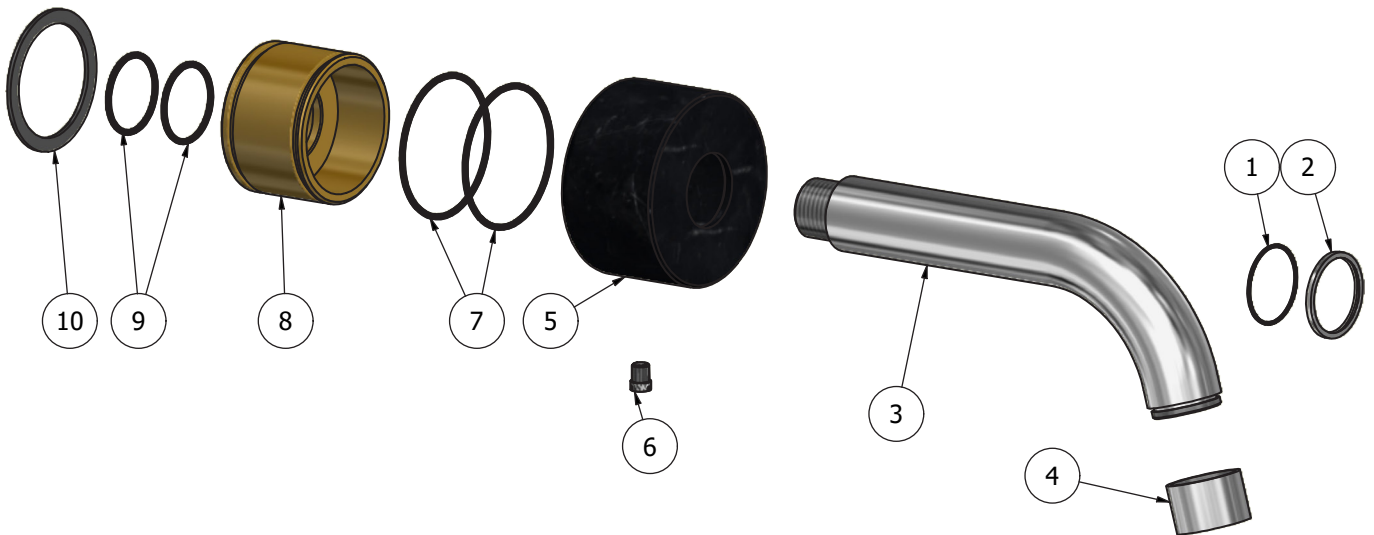
Material

**BRASS**  
According to CuZn39Pb3 (CB614N)  
Max Lead content: 2.5%



WE ARE IB

ELENCO PARTI				
ELEM.	CODICE	DESCRIZIONE	FIN	QTÀ
1	AQ0015103	OR 26x1 NBR 70 SH	-	1
2	AC0012591	Anello Ø30 Ø26.9 H2	F	1
3	AC0012558	Bocca Ø26 L145	F	1
4	AQ0015036	Aeratore Ø26 H17 M24x1 rompigitto (40.9100.33301)	F	1
5	AQ0014950	Copertura marmo Ø68 H40 nero marquinia	-	1
6	AQ0015558	Vite Ø7.1 M6 H9 grigio scuro	-	1
7	AQ0001450	OR 47.37x1.78 NBR 70 SH	-	2
8	AS0012527	Anello bocca Ø52.4 H34 Ø26.5	G	1
9	AQ0006586	OR 25.12x1.78 NBR 70 SH	-	2
10	AQ0009591	Guarnizione Ø40 Ø49.5 H1.5	-	1





WE ARE IB

### **WARRANTY**

All IB Rubinetterie SpA products are warranted for 10 years from the date of purchase, for the following cases:

- Defects of casting, porosity and chrome plating.
- Operating defects caused by incorrect fabrication.

The warranty provides for repair or replacement of products with fabrication defects recognized by our technical office. There is no other type of compensation anche the merchandise must be returned FOB our warehouse. The warranty only cover surface defects (scartches, dings, etc.) on fitting that have not been installed and used, returned in its original packaging with all components. O-ring, gasket seals and components subject to wear proportional to use are warranted for 2 years.

#### **The warranty is void in the following cases:**

Error installing and putting the product into service.

Deterioration of finished surfaces due to use of cleaning products containing acids or abrasive substances.

Deterioration of surface with finishes other than chrome plating. Their durability is, in fact, dependent on the user's care and gentleness of use.

Deterioration of the fitting due incorrect installation.

Improper repairs and maintenance performed without the company's prior authorization.

The warranty from IB Rubinetterie SpA is not renewable.

#### **Cleaning**

We recommanded cleaning the finish surfaces with water and soap, using a soft cloth.

Do not use detergents that cointain hydrochloric acid or abrasive substances.