



# IB RUBINETTI

Collection

## MARMO

Article

### MR706\_23

Description

**Exposed parts for manual wall mixer**

**Built-in to be purchased separately INC206**

Box Dimensions

**370 x 270 x 80 mm**

Weight

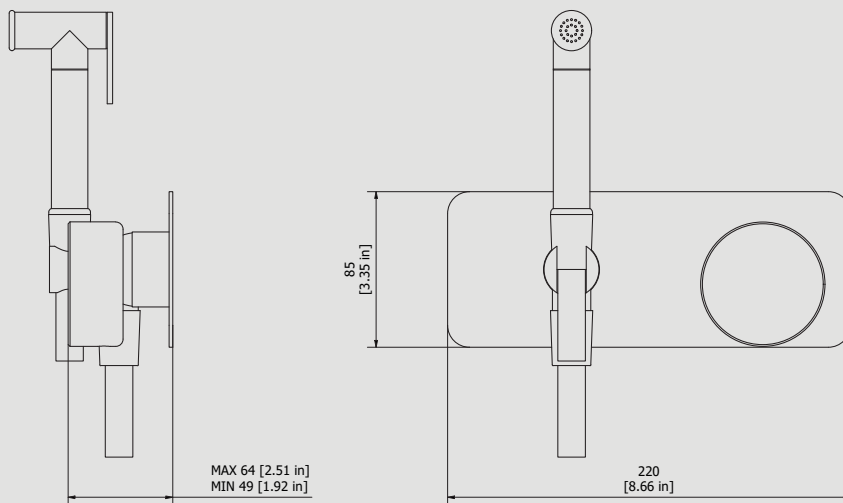
**3.5 kg**

Finishes

- **CC** CHROME
- **CF** BLACK CHROME
- **OO** GOLD
- **BB** ANTIQUE BRONZE
- **SS** BRUSHED NICKEL
- **CS** BRUSHED BLACK CHROME
- **BO** MATT WHITE
- **NP** MATT BLACK
- **IS** BRUSHED PALE GOLD
- **OS** BRUSHED GOLD
- **II** PALE GOLD
- **RR** ANTIQUE COPPER
- **RS** ROSE GOLD
- **ON** NATURAL BRASS
- **SR** BRUSHED ROSE GOLD
- **PL** PLATINUM



Dimensions



Cartridge

**Ø35 ceramic cartridges**

Treaded fitting

-

Aerator

-

Flow Rate (+/-10%)

<b>1 BAR</b>	<b>2 BAR</b>	<b>3 BAR</b>
<b>2.3 l/min</b>	<b>3.2 l/min</b>	<b>4 l/min</b>

Production

**Main body is a machined from a solid pieces**

Material

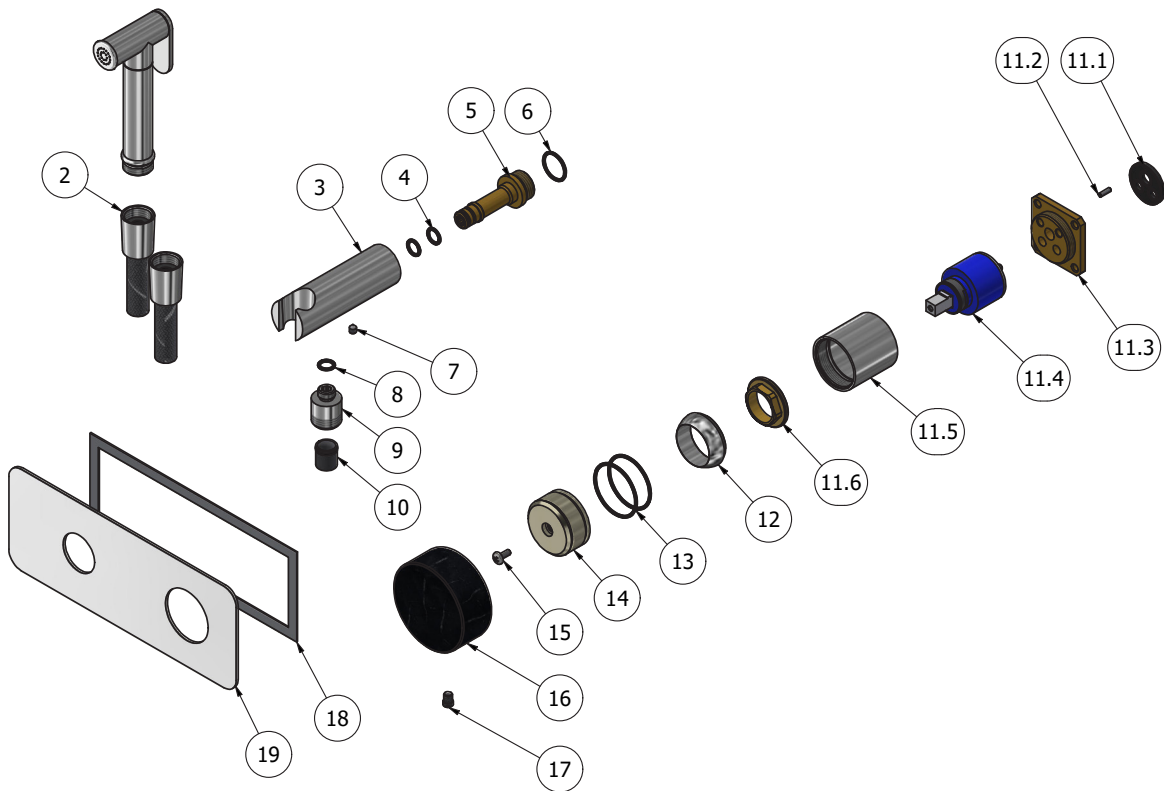
**BRASS**  
According to CuZn39Pb3 (CW614N)  
Max Lead content: 2.5%





# IB RUBINETTI

Parts list				
ITEMS	CODE	DESCRIPTION	FIN	QTA
1	AQ0017943	Shut off tonda Ø20	F	1
2	AC0018055	Flex snapon G1/2" F L100cm Silver	F	1
3	AC0013053	Hand shower's support Ø30 L94.8	F	1
4	AQ0004180	OR 9.25x1.78 NBR 70 SH	-	2
5	AS0018164	Bayonet coupling G1/2" M H62.5	G	1
6	AQ0004640	OR 18.77x1.78 NBR 70 SH	-	1
7	AQ0014670	Grubscrew M5x6 cone point	-	1
8	AQ0001340	OR 8.73x1.78 NBR 70 SH	-	1
9	AC0013052	Reduction G1/2" M M12x1 M H20.5	F	1
10	AQ0013247	Flow reduction+CV Ø15 4L	-	1
11	CPIN206CC-19	Mixer 47x47 x recessed	-	1
11.1	AQ0015684	Gasket Ø31 H3.5 Ø7 Ø7.5	-	1
11.2	AQ0015357	Grubscrew M3x10 flat point	-	1
11.3	AS0013040	Insert 47x47 H11 M37x1.5	G	1
11.4	AQ0004095	Ceramic cartridge Ø35 9x9 (K35A)	-	1
11.5	AC0010445	Recessed ring Ø41 M37x1.5 H40.7	F	1
11.6	AQ0001040	Cartridge ring nut M37x1.5 H9	G	1
12	AQ0003630	Cartridge ring nut cover M37x1.5	F	1
13	AQ0006415	OR 37.82x1.78 NBR 70 SH	-	2
14	AN0012490	Handle Ø41.9 H20.5	N	1
15	AQ0002160	Screw M4x10	-	1
16	AQ0014921	Marble handle cover Ø68 H30	-	1
17	AQ0015558	Screw Ø7.1 M6 H9 dark gray	-	1
18	AQ0014142	Rubber packing double-sided tape 200x75x8x1	-	1
19	AC0013126-TI	Plate 220x85x2	F	1





### **WARRANTY**

All IB Rubinetterie SpA products are warranted for 10 years from the date of purchase, for the following cases:

- Defects of casting, porosity and chrome plating.
- Operating defects caused by incorrect fabrication.

The warranty provides for repair or replacement of products with fabrication defects recognized by our technical office. There is no other type of compensation anche the merchandise must be returned FOB our warehouse. The warranty only cover surface defects (scartches, dings, etc.) on fitting that have not been installed and used, returned in its original packaging with all components. O-ring, gasket seals and components subject to wear proportional to use are warranted for 2 years.

#### **The warranty is void in the following cases:**

Error installing and putting the product into service.

Deterioration of finished surfaces due to use of cleaning products containing acids or abrasive substances.

Deterioration of surface with finishes other than chrome plating. Their durability is, in fact, dependent on the user's care and gentleness of use.

Deterioration of the fitting due incorrect installation.

Improper repairs and maintenance performed without the company's prior authorization.

The warranty from IB Rubinetterie SpA is not renewable.

#### **Cleaning**

We recommanded cleaning the finish surfaces with water and soap, using a soft cloth.

Do not use detergents that cointain hydrochloric acid or abrasive substances.