



WE ARE IB

Collection

## MILANO TORINO

Article

### MT394

Description

Two holes deck mounted washbasin mixer.

Box Dimensions

400x250x140 mm

Weight

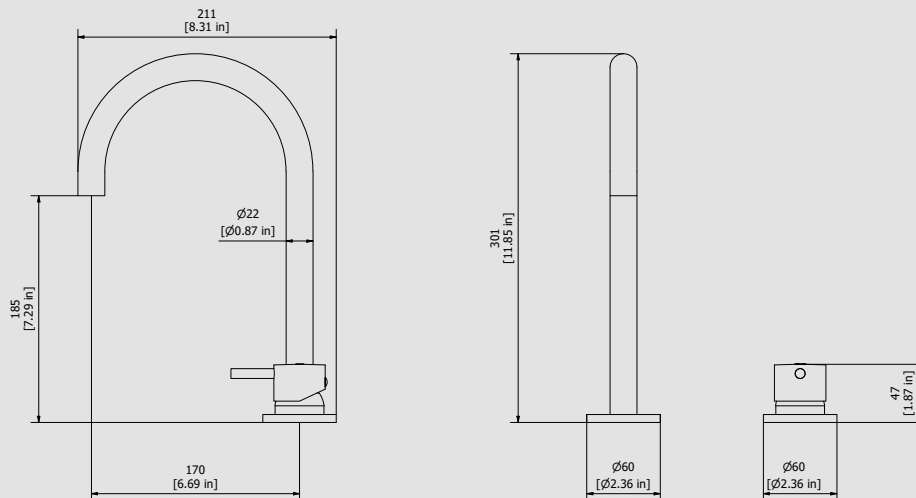
3 kg

Finishes

- **CC**  
CHROME
- **PL**  
PLATINUM
- **SS**  
BRUSHED  
NICKEL
- **ON**  
NATURAL  
BRASS
- **BO**  
MATT  
WHITE
- **NP**  
MATT  
BLACK
- **CF**  
BLACK  
CHROME
- **CS**  
BRUSHED  
BLACK  
CHROME
- **II**  
PALE  
GOLD
- **IS**  
BRUSHED  
PALE GOLD
- **RS**  
ROSE  
GOLD
- **SR**  
BRUSHED  
ROSE GOLD
- **OO**  
GOLD
- **OS**  
BRUSHED  
GOLD
- **RR**  
ANTIQUÉ  
COPPER
- **MB**  
MODERN  
BRONZE



Dimensions



Cartridge

Ø35 ceramic cartridge

Hoses

G1/2" female

Aerator

M16.5x1

Flow Rate (+/-10%)

<b>1 BAR</b>	<b>2 BAR</b>	<b>3 BAR</b>
<b>3 l/m</b>	<b>3.8 l/m</b>	<b>3.8 l/m</b>

Production

Main body is a single hot stamped pieces

Material

**BRASS**  
According to CuZn42 (CW510L)  
Max Lead content: 0.2%

IB RUBINETTERIE s.p.a  
via dei Pianotti 3/5  
25068 Sarezzo (BS) - Italy -

T. +39 030 802101  
F. +39 030 803097  
info@weareib.it

P.IVA 01785230986  
capitale sociale  
€420.000,00 i.v.

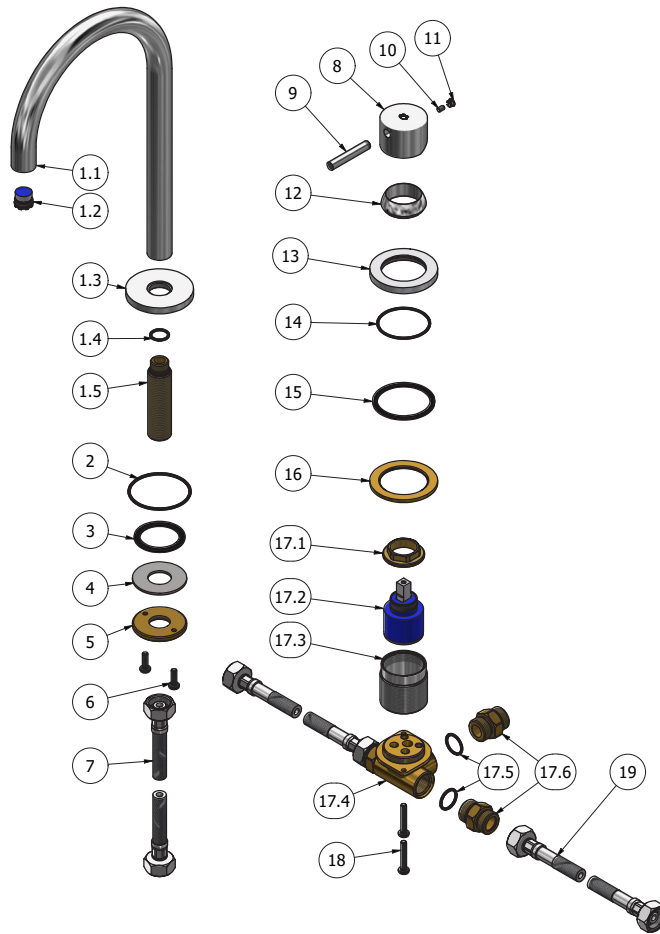
www.weareib.it





WE ARE IB

Parts list				
ITEMS	CODE	DESCRIPTION	FIN	QTÀ
1	CPMT394CCN_1	Preassembled spout	-	1
1.1	AC0016652	Spout Ø22 int. 170 H180 L296	F	1
1.2	AQ0014147	Perlator PCA cachè laminar 1 GPM (44.3358.010)	-	1
1.3	AC0016646	Rosette Ø60 H6.5 G"1/2F.	F	1
1.4	AQ0009818	OR 14x1.78 NBR 70 SH	-	1
1.5	AS0016649	Threaded steam M16X1M G1/2"M L81	G	1
2	AQ0014771	OR 52x2 NBR 70 SH	-	1
3	AQ0008013	Rubber packing 45x35x2	-	1
4	AQ0016650	Washer Ø48 Ø21 H2	G	1
5	AS0016648	Nut Ø48 G1/2" H5	G	1
6	AQ0010358	Inox screw M5x16 ISO 7045	-	2
7	AQ0015774	Hose G1/2" F G1/2" F L480	G	1
8	AC0011351-TI	Handle Ø42 H30 square 9.15x9.15 M8	F	1
9	AC0014230	Rod Ø8 H47 M8x1.25	F	1
10	AQ0001081	Grubscrew M4x6 flat point	-	1
11	AQ0006650	Plug cover Ø7	F	1
12	AQ0003630	Cartridge ring nut cover M37x1.5	F	1
13	AC0017940	Fixing ring Ø60 H6.5 M42x1.5	F	1
14	AQ0010584	OR 44.17x1.78 NBR 70 SH	-	1
15	AQ0011028	Flat gasket Ø55 Ø47 H2	-	1
16	AS0011661	Support ring Ø60 Ø42.2 H3	G	1
17	CPID394CC-3	Preassembly mix	-	1
17.1	AQ0001040	Cartridge ring nut M37x1.5 H9	G	1
17.2	AQ0004095	Ceramic cartridge Ø35 9x9 (K35A)	-	1
17.3	AC0011662	Ring M42x1.5 M37x1.5 Ø40 H40.7	F	1
17.4	AQT010369	Recessed shower mixer body Ø35 DZR	G	1
17.5	AQ0004630	OR 17.16x1.78 NBR 70 SH	-	3
17.6	AS0010301	Reduction G1/2" M G1/2" M with valve seat	G	3
18	AQ0009153	Inox screw M5x30 ISO 7045	-	2
19	AQ0006540	Flex inox G1/2" F G1/2" F L300	G	2





WE ARE IB

### **WARRANTY**

All IB Rubinetterie SpA products are warranted for 10 years from the date of purchase, for the following cases:

- Defects of casting, porosity and chrome plating.
- Operating defects caused by incorrect fabrication.

The warranty provides for repair or replacement of products with fabrication defects recognized by our technical office. There is no other type of compensation anche the merchandise must be returned FOB our warehouse. The warranty only cover surface defects (scartches, dings, etc.) on fitting that have not been installed and used, returned in its original packaging with all components. O-ring, gasket seals and components subject to wear proportional to use are warranted for 2 years.

#### **The warranty is void in the following cases:**

Error installing and putting the product into service.

Deterioration of finisched surfaces due to use of cleaning products containing acids or abrasive substances.

Deterioration of surface with finishes other than chrome plating. Their durability is, in fact, dependent on the user's care and gentleness of use.

Deterioration of the fitting due incorrect installation.

Improper repairs and maintenance performed without the company's prior authorization.

The warranty from IB Rubinetterie SpA is not renewable.

#### **Cleaning**

We recommended cleaning the finish surfaces with water and soap, using a soft cloth.

Do not use detergents that cointain hydrochloric acid or abrasive substances.