

Collection

## MILANO TORINO

Article

### MT613

Description

**Two ways wall shower thermostatic valve**

**Built-in body to be purchased separately INC313**

Box Dimensions

**370x270x80 mm**

Weight

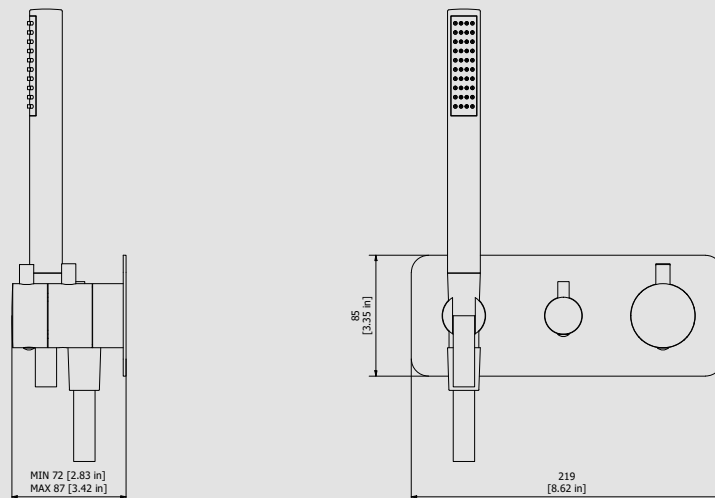
**2.4 kg**

Finishes

- **CC**  
CHROME
- **PL**  
PLATINUM
- **SS**  
BRUSHED  
NICKEL
- **ON**  
NATURAL  
BRASS
- **BO**  
MATT  
WHITE
- **NP**  
MATT  
BLACK
- **CF**  
BLACK  
CHROME
- **CS**  
BRUSHED  
BLACK  
CHROME
- **II**  
PALE  
GOLD
- **IS**  
BRUSHED  
PALE GOLD
- **RS**  
ROSE  
GOLD
- **SR**  
BRUSHED  
ROSE GOLD
- **OO**  
GOLD
- **OS**  
BRUSHED  
GOLD
- **RR**  
ANTIQUÉ  
COPPER
- **MB**  
MODERN  
BRONZE



Dimensions



Cartridge

**Thermostatic cartridge**

Hoses

**Flex snapon G1/2" F L150cm**

Aerator

Flow Rate (+/-10%)

1 BAR	2 BAR	3 BAR
11.6 l/m	16.3 l/m	20.1 l/m

Production

**Main body is a machined from a solid pieces**

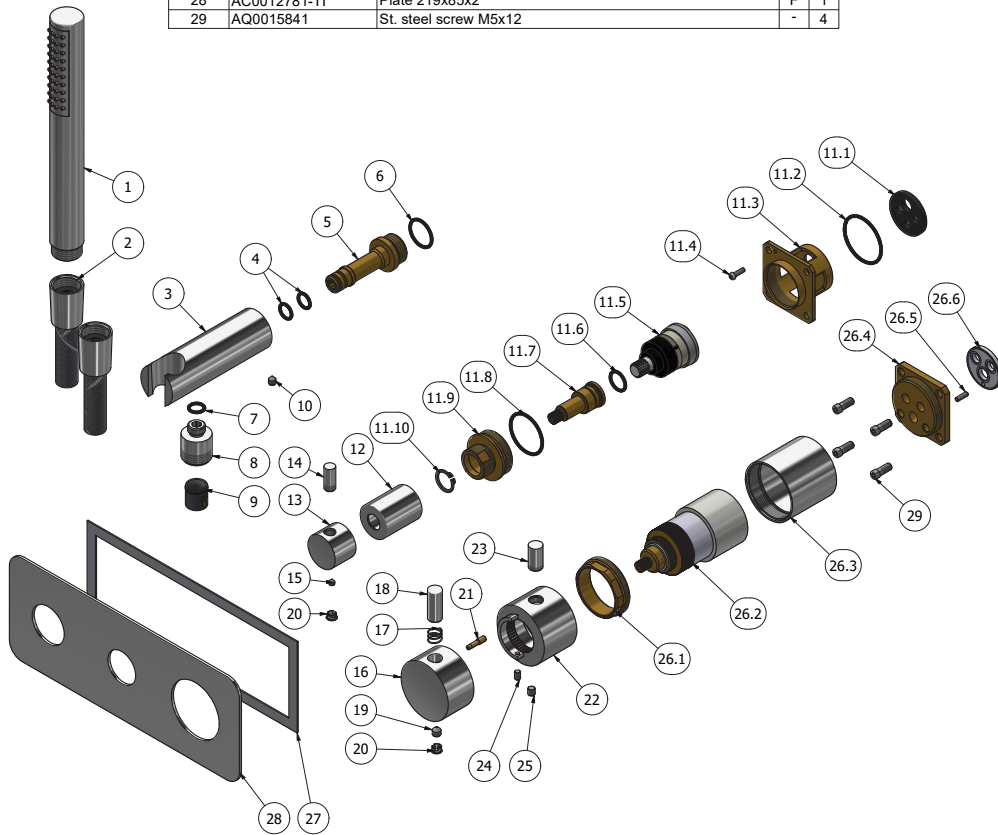
Material

**BRASS**  
According to CuZn39PB3 (CW614N)  
Max Lead content: 2.5%



WE ARE IB

Parts list			
ITEMS	CODE	DESCRIPTION	FIN QTA
1	AQ0012085	Hand shower stilo Ø23 H196	F 1
2	AQ0018056	Flex snapon G1/2" F L150cm Silver	F 1
3	AC0013053	Hand shower's support Ø30 L94.8	F 1
4	AQ0004180	OR 9.25x1.78 NBR 70 SH	- 2
5	AS0018164	Bayonet coupling G1/2" M H62.5	G 1
6	AQ0004640	OR 18.77x1.78 NBR 70 SH	- 1
7	AQ0001340	OR 8.73x1.78 NBR 70 SH	- 1
8	AC0013052	Reduction G1/2" M M12x1 M H20.5	F 1
9	AQ0013247	Flow reduction+CV Ø15 4L	- 1
10	AQ0014670	Grubscrew M5x6 cone point	- 1
11	CPDEV2VCCXN_1	90 ° built-in 2-way diverter 48x48 z8x20	- 1
11.1	AQ0015686	Rubber Ø32 H4	- 1
11.2	AQ0008026	OR 33.05x1.78 NBR 70 SH	- 1
11.3	AS0013047	Insert 47x47x32	G 1
11.4	AQ0012206	Inox screw M3x10	- 1
11.5	AQ0017450	Cartridge dev.2 outputs 90°	- 1
11.6	AQ0004610	OR 12.42x1.78 NBR 70 SH	- 1
11.7	AS0013048	Rod Ø17.9 H42.4	G 1
11.8	AQ0010597	OR 28.3x1.78 NBR 70 SH	- 1
11.9	AS0013050	Junction M32x1 M22x1 H23	G 1
11.10	AQ0015748	Seeger ring Ø14 H1	- 1
12	AC0013054	Ring Ø26 M22x1 F H33	F 1
13	AC0011372	Diverter's knob Ø26 H20	F 1
14	AC0007092	Handle knob M8 H19	F 1
15	AQ0001082	Grubscrew M4x4 cone point	- 1
16	AC0013147	Termo's Handle Ø45 H25	F 1
17	AQ0010629	Spring for Thermo's handle Ø9.9 H8	- 1
18	AC0011573	Termo handle hub Ø10 H24	F 1
19	AQ0009549	Grubscrew M6x6 cone point	- 1
20	AQ0006650	Plug cover Ø7	F 2
21	AS0011571	Pin for thermo lever button	G 1
22	AC0013148	Capacity handle Ø45 H37	F 1
23	AC0013149	Handle knob H19 M10	F 1
24	AQ0001081	Grubscrew M4x6 flat point	- 1
25	AQ0001100	Grubscrew M5x5 flat point	- 1
26	CPMB2398CC-1	Preassembled thermostatic cartridge	F 1
26.1	AS0011617	Cartridge fixing nut W42x19 H12	G 1
26.2	AQ0013614	Thermostatic cartridge Hydrostat mini coaxial ST 340 type	- 1
26.3	AC0013150	Ceramic cartridge ring Ø45 M42x1.5 42x19 H42	F 1
26.4	AS0013151	Insert 47x47 h11 M42x1.5	G 1
26.5	AQ0015357	Grubscrew M3x10 flat point	- 1
26.6	AQ0015684	Gasket Ø31 H3.5 Ø7 Ø7.5	- 1
27	AQ0014142	Rubber packing double-sided tape 200x75x8x1	- 1
28	AC0012781-TI	Plate 219x85x2	F 1
29	AQ0015841	St. steel screw M5x12	- 4



IB RUBINETTERIE s.p.a  
via dei Pianotti 3/5  
25068 Sarezzo (BS) - Italy -

T. +39 030 802101  
F. +39 030 803097  
info@weareib.it

P.IVA 01785230986  
capitale sociale  
€420.000,00 i.v.

www.weareib.it





WE ARE IB

### **WARRANTY**

All IB Rubinetterie SpA products are warranted for 10 years from the date of purchase, for the following cases:

- Defects of casting, porosity and chrome plating.
- Operating defects caused by incorrect fabrication.

The warranty provides for repair or replacement of products with fabrication defects recognized by our technical office. There is no other type of compensation anche the merchandise must be returned FOB our warehouse. The warranty only cover surface defects (scartches, dings, etc.) on fitting that have not been installed and used, returned in its original packaging with all components. O-ring, gasket seals and components subject to wear proportional to use are warranted for 2 years.

#### **The warranty is void in the following cases:**

Error installing and putting the product into service.

Deterioration of finished surfaces due to use of cleaning products containing acids or abrasive substances.

Deterioration of surface with finishes other than chrome plating. Their durability is, in fact, dependent on the user's care and gentleness of use.

Deterioration of the fitting due incorrect installation.

Improper repairs and maintenance performed without the company's prior authorization.

The warranty from IB Rubinetterie SpA is not renewable.

#### **Cleaning**

We recommended cleaning the finish surfaces with water and soap, using a soft cloth.

Do not use detergents that cointain hydrochloric acid or abrasive substances.