



WE ARE IB

Collection

SOHO

Article

OH306

Description

Wall mounted widespread lavatory faucet.

Box Dimensions

370x270x80 mm

Weight

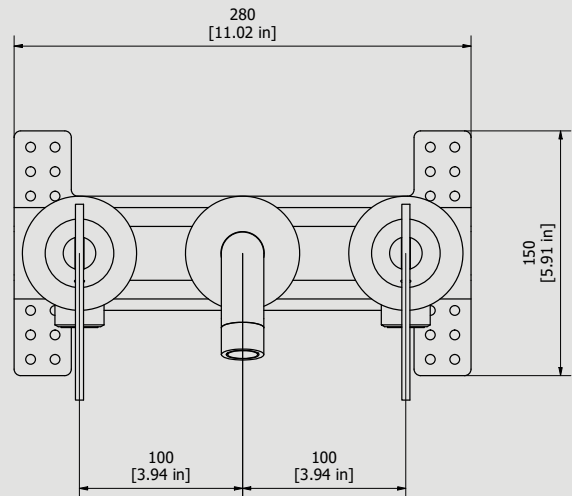
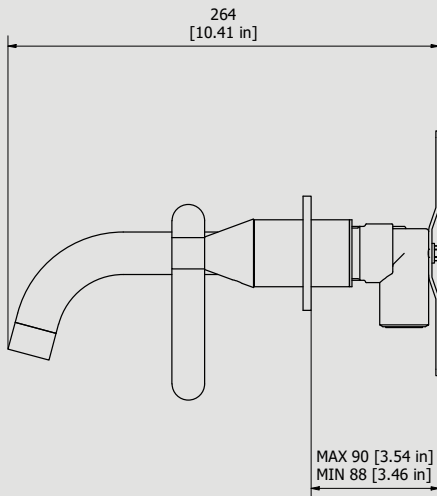
2.4 kg

Finishes

- **CC**
CHROME
- **CF**
BLACK CHROME
- **OO**
GOLD
- **MB**
MODERN BRONZE
- **SS**
BRUSHED NICKEL
- **CS**
BRUSHED BLACK CHROME
- **BO**
MATT WHITE
- **NP**
MATT BLACK
- **IS**
BRUSHED PALE GOLD
- **OS**
BRUSHED GOLD
- **II**
PALE GOLD
- **RR**
ANTIQUE COPPER
- **ORS**
ROSE GOLD
- **ON**
NATURAL BRASS
- **SR**
BRUSHED ROSE GOLD
- **PL**
PLATINUM



Dimensions



Cartridge

G1/2" ceramic cartridge

Threaded fitting

-

Aerator

M24x1

Flow Rate (+/-10%)

1 BAR	2 BAR	3 BAR
3.3 l/min	4.4 l/min	4.5 l/min

Production

Main body is a single casted pieces

Material

BRASS
According to CuZn35Pb2Al-B (CB752S)
Max Lead content: 1.36%

IB RUBINETTERIE s.p.a
via dei Pianotti 3/5
25068 Sarezzo (BS) - Italy -

T. +39 030 802101
F. +39 030 803097
info@weareib.it

P.IVA 01785230986
capitale sociale
€420.000,00 i.v.

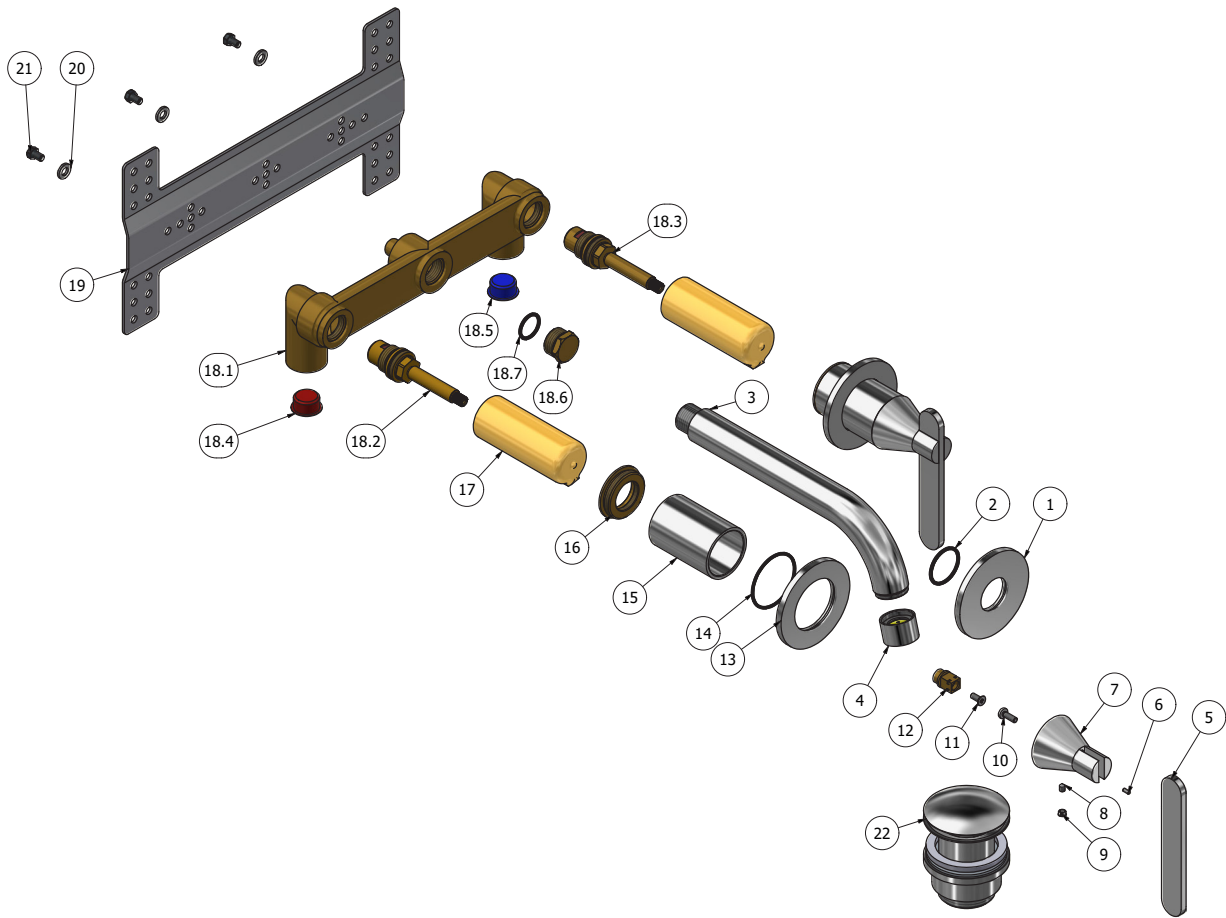
www.weareib.it





WE ARE IB

Parts list				
ITEMS	CODE	DESCRIPTION	FIN	QTÀ
1	AC0018090	Rosette Ø70 Ø26.5 H5	F	1
2	AQ0009421	OR 26x2 NBR 70 SH	-	1
3	AC0012377	Spout-out Ø26 L195	F	1
4	AQ0014681	Aerator Ø26 H17 M24x1 (40.1053.33300)	F	1
5	AC0018163	Handle 20 L120 H5	F	2
6	AQ0012230	Stainless stell pin Ø2.5x6	-	2
7	AC0018159	Handle Ø42 Ø20 H50	F	2
8	AQ0010444	Grubscrew M4x6 cone point	-	2
9	AQ0012203	Plug	F	2
10	AQ0010985	Inox screw M4x12	-	2
11	AQ0013743	Inox screw M4X10 DIN 965	-	2
12	AS0018193	Insert 9x9 Ø13 Ø7.6 Z40 H18	G	2
13	AC0018063	Rosette Ø70 Ø41.5 H5	F	2
14	AQ0001440	OR 41x1.78 NBR 70 SH	-	2
15	AC0018156	Ring Ø41 M37x1.5 H58.3	F	2
16	AS0018158	Reduction M37x1.5 M24x1 H8.5	G	2
17	AQ0010876	Carter Ø30	-	2
18	CPOH306-1	Preassembled recessed body	-	1
18.1	CT0001905	Recessed body 3 hole Int. 200 G1/2"	G	1
18.2	AQ0015616	Ceramic headwork G1/2" H59.3 mm SX (FCN0648S)	-	1
18.3	AQ0014336	Ceramic headwork G1/2" H59.3 mm (FCN0648D)	-	1
18.4	AQ0014537	Red thread's protecting cap Ø19	-	1
18.5	AQ0014538	Blu thread's protecting cap Ø19	-	1
18.6	AQ0006680	Plug G1/2" M	G	1
18.7	AQ0009841	OR 17x2 NBR 70 SH	-	1
19	AQ0009362	Inox plate 280x150	-	1
20	AQ0004650	Washer Ø6 ISO 7089 140 HV	-	3
21	AQ0009429	Inox screw M5x8 DIN933	-	3
22	AQ0009837	Simple rapid waste 1"1/4	F	1





WE ARE IB

WARRANTY

All IB Rubinetterie SpA products are warranted for 10 years from the date of purchase, for the following cases:

- Defects of casting, porosity and chrome plating.
- Operating defects caused by incorrect fabrication.

The warranty provides for repair or replacement of products with fabrication defects recognized by our technical office. There is no other type of compensation anche the merchandise must be returned FOB our warehouse. The warranty only cover surface defects (scartches, dings, etc.) on fitting that have not been installed and used, returned in its original packaging with all components. O-ring, gasket seals and components subject to wear proportional to use are warranted for 2 years.

The warranty is void in the following cases:

Error installing and putting the product into service.

Deterioration of finished surfaces due to use of cleaning products containing acids or abrasive substances.

Deterioration of surface with finishes other than chrome plating. Their durability is, in fact, dependent on the user's care and gentleness of use.

Deterioration of the fitting due incorrect installation.

Improper repairs and maintenance performed without the company's prior authorization.

The warranty from IB Rubinetterie SpA is not renewable.

Cleaning

We recommanded cleaning the finish surfaces with water and soap, using a soft cloth.

Do not use detergents that cointain hydrochloric acid or abrasive substances.