



WE ARE IB

Collection

SOHO

Article

OH312

Description

Exposed parts for manual wall mixer with 3 ways

Built-in body to be purchased separately INC312

Box Dimensions

150x190x98 mm

Weight

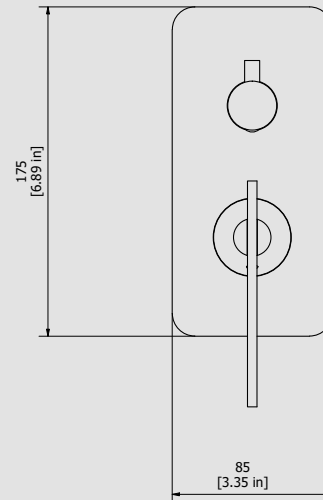
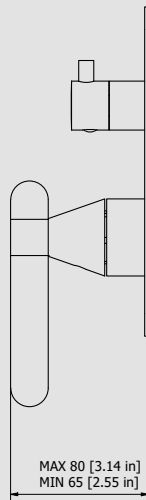
1.2 kg

Finishes

- CC** CHROME
- PL** PLATINUM
- SS** BRUSHED NICKEL
- ON** NATURAL BRASS
- BO** MATT WHITE
- NP** MATT BLACK
- CF** BLACK CHROME
- CS** BRUSHED BLACK CHROME
- II** PALE GOLD
- IS** BRUSHED PALE GOLD
- RS** ROSE GOLD
- SR** BRUSHED ROSE GOLD
- OO** GOLD
- OS** BRUSHED GOLD
- RR** ANTIQUE COPPER
- MB** MODERN BRONZE



Dimensions



Cartridge

Ø35 ceramic cartridge

Threaded fitting

Aerator

Flow Rate (+/-10%)

1 BAR
8.3 l/m

2 BAR
11.7 l/m

3 BAR
14.3 l/m

Production

Main body is a machined from a solid pieces

Material

BRASS
According to CuZn39PB3 (CW614N)
Max Lead content: 2.5%

IB RUBINETTERIE s.p.a
via dei Pianotti 3/5
25068 Sarezzo (BS) - Italy -

T. +39 030 802101
F. +39 030 803097
info@weareib.it

P.IVA 01785230986
capitale sociale
€420.000,00 i.v.

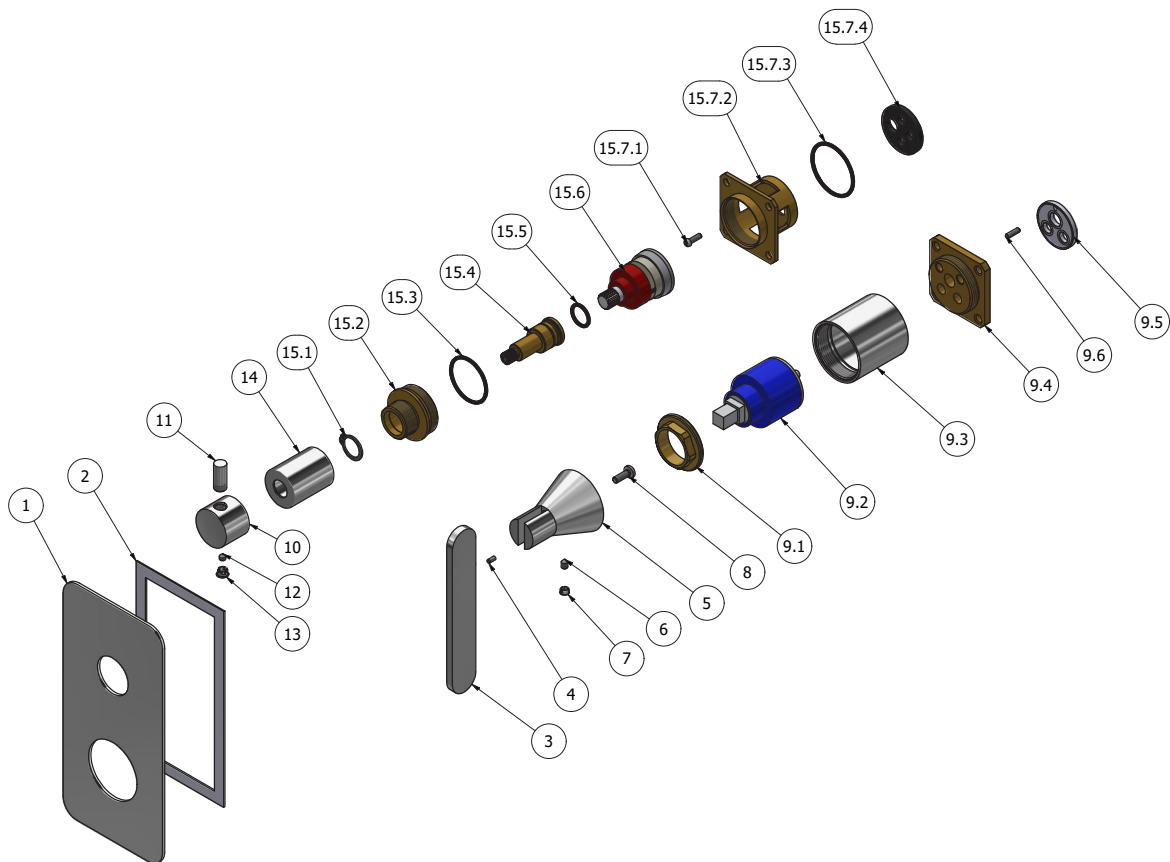
www.weareib.it





WE ARE IB

Parts list				
ITEMS	CODE	DESCRIPTION	FIN	QTÀ
1	AC0013101-TI	Plate 175x85 x2 312-310	F	1
2	AQ0012239	Rubber packing double-sided tape 145x75x8x1	-	1
3	AC0018163	Handle 20 L120 H5	F	1
4	AQ0012230	Stainless stell pin Ø2.5x6	-	1
5	AC0018161	Handle Ø41 Ø20 H50	F	1
6	AQ0010444	Grubscrew M4x6 cone point	-	1
7	AQ0012203	Plug	F	1
8	AQ0010985	Inox screw M4x12	-	1
9	CPRX300CCXN19	Mixer 47x47 x recessed	-	1
9.1	AQ0001040	Cartridge ring nut M37x1.5 H9	G	1
9.2	AQ0013271	Ceramic cartridge KRJ 35A 9x9	-	1
9.3	AC0010445	Recessed ring Ø41 M37x1.5 H40.7	F	1
9.4	AS0013040	Insert 47x47 H11 M37x1.5	G	1
9.5	AQ0015684	Gasket Ø31 H3.5 Ø7 Ø7.5	-	1
9.6	AQ0015357	Grubscrew M3x10 flat point	-	1
10	AC0011372	Diverter's knob Ø26 H20	F	1
11	AC0007092	Handle knob M8 H19	F	1
12	AQ0001082	Grubscrew M4x4 cone point	-	1
13	AQ0006650	Plug cover Ø7	F	1
14	AC0013054	Ring Ø26 M22x1 F H33	F	1
15	CPDEV3VXXN_1	Preassembled diverter three ways	-	1
15.1	AQ0015748	Seeger ring Ø14 H1	-	1
15.2	AS0013050	Junction M32x1 M22x1 H23	G	1
15.3	AQ0010597	OR 28.3x1.78 NBR 70 SH	-	1
15.4	AS0013048	Rod Ø17.9 H42.4	G	1
15.5	AQ0004610	OR 12.42x1.78 NBR 70 SH	-	1
15.6	AQ0014857	Diverter cartridge 3 outlets 180°	-	1
15.7	CP13047XXN_1	Preassembled diverter three ways	-	1
15.7.1	AQ0012206	Inox screw M3x10	-	1
15.7.2	AS0013047	Insert 47x47x32	G	1
15.7.3	AQ0008026	OR 33.05x1.78 NBR 70 SH	-	1
15.7.4	AQ0015686	Rubber Ø32 H4	-	1





WE ARE IB

WARRANTY

All IB Rubinetterie SpA products are warranted for 10 years from the date of purchase, for the following cases:

- Defects of casting, porosity and chrome plating.
- Operating defects caused by incorrect fabrication.

The warranty provides for repair or replacement of products with fabrication defects recognized by our technical office. There is no other type of compensation anche the merchandise must be returned FOB our warehouse. The warranty only cover surface defects (scartches, dings, etc.) on fitting that have not been installed and used, returned in its original packaging with all components. O-ring, gasket seals and components subject to wear proportional to use are warranted for 2 years.

The warranty is void in the following cases:

Error installing and putting the product into service.

Deterioration of finisched surfaces due to use of cleaning products containing acids or abrasive substances.

Deterioration of surface with finishes other than chrome plating. Their durability is, in fact, dependent on the user's care and gentleness of use.

Deterioration of the fitting due incorrect installation.

Improper repairs and maintenance performed without the company's prior authorization.

The warranty from IB Rubinetterie SpA is not renewable.

Cleaning

We recommended cleaning the finish surfaces with water and soap, using a soft cloth.

Do not use detergents that cointain hydrochloric acid or abrasive substances.