

Collection

## SOHO WOOD

Article

### OL314

Description

Three ways wall shower mixer

Built-in body to be purchased separately INC314

Box Dimensions

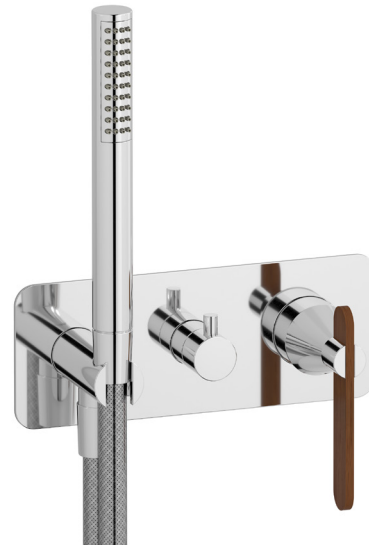
370x270x80 mm

Weight

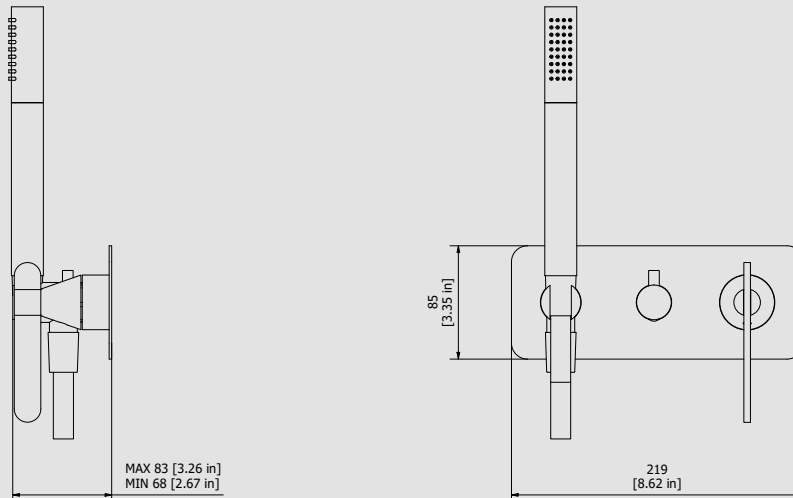
1.9 kg

Finishes

- CC**  
CHROME
- PL**  
PLATINUM
- SS**  
BRUSHED  
NICKEL
- ON**  
NATURAL  
BRASS
- BO**  
MATT  
WHITE
- NP**  
MATT  
BLACK
- CF**  
BLACK  
CHROME
- CS**  
BRUSHED  
BLACK  
CHROME
- II**  
PALE  
GOLD
- IS**  
BRUSHED  
PALE GOLD
- RS**  
ROSE  
GOLD
- SR**  
BRUSHED  
ROSE GOLD
- OO**  
GOLD
- OS**  
BRUSHED  
GOLD
- RR**  
ANTIQUÉ  
COPPER
- MB**  
MODERN  
BRONZE



Dimensions



Cartridge

Ø35 ceramic cartridge

Threaded fitting

-

Aerator

-

Flow Rate (+/-10%)

**1 BAR**  
8.3 l/m

**2 BAR**  
11.7 l/m

**3 BAR**  
14.3 l/m

Production

Main body is a machined from a solid pieces

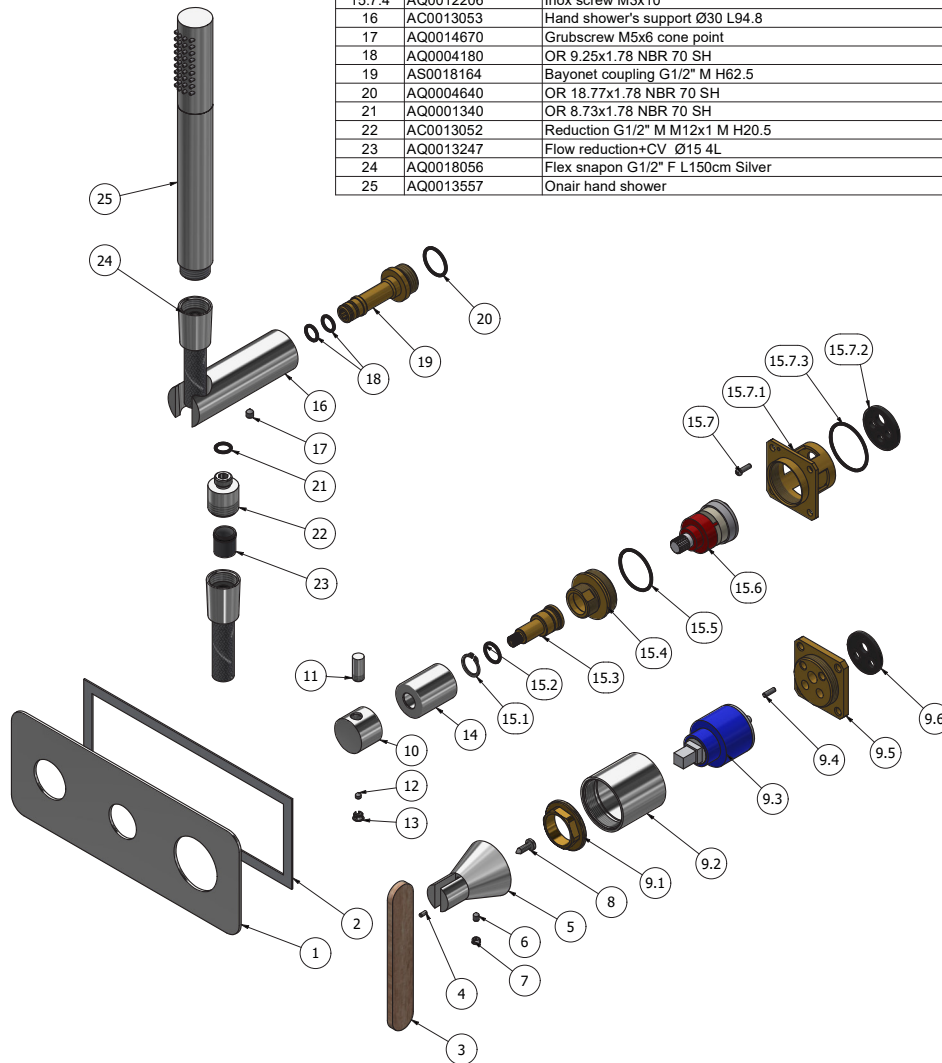
Material

**BRASS**  
According to CuZn39PB3 (CW614N)  
Max Lead content: 2.5%



WE ARE IB

| Parts list |               |   |     |     |
|------------|---------------|---|-----|-----|
| ITEMS      | CODE          | DESCRIPTION                                 | FIN | QTÀ |
| 1          | AQ0014139     | Plate 219x85x2                              | F   | 1   |
| 2          | AQ0014142     | Rubber packing double-sided tape 200x75x8x1 | -   | 1   |
| 3          | AQ0018162     | Handle 20 L120 H5                           | F   | 1   |
| 4          | AQ0012230     | Stainless stell pin Ø2.5x6                  | -   | 1   |
| 5          | AC0018161     | Handle Ø41 Ø20 H50                          | F   | 1   |
| 6          | AQ0010444     | Grubscrew M4x6 cone point                   | -   | 1   |
| 7          | AQ0012203     | Plug  | F   | 1   |
| 8          | AQ0018180     | Self-tapping screw Ø4 L12 DIN 7505-B        | -   | 1   |
| 9          | CPRX300CCXN19 | Mixer 47x47 x recessed                      | -   | 1   |
| 9.1        | AQ0001040     | Cartridge ring nut M37x1.5 H9               | G   | 1   |
| 9.2        | AC0010445     | Recessed ring Ø41 M37x1.5 H40.7             | F   | 1   |
| 9.3        | AQ0013271     | Ceramic cartridge KRJ 35A 9x9               | -   | 1   |
| 9.4        | AQ0015357     | Grubscrew M3x10 flat point                  | -   | 1   |
| 9.5        | AS0013040     | Insert 47x47 H11 M37x1.5                    | G   | 1   |
| 9.6        | AQ0015684     | Gasket Ø31 H3.5 Ø7 Ø7.5                     | -   | 1   |
| 10         | AC0011372     | Diverter's knob Ø26 H20                     | F   | 1   |
| 11         | AC0007092     | Handle knob M8 H19                          | F   | 1   |
| 12         | AQ0001082     | Grubscrew M4x4 cone point                   | -   | 1   |
| 13         | AQ0006650     | Plug cover Ø7                               | F   | 1   |
| 14         | AC0013054     | Ring Ø26 M22x1 F H33                        | F   | 1   |
| 15         | CPDEV3VXXXN 1 | Preassembled diverter three ways            | -   | 1   |
| 15.1       | AQ0015748     | Seeger ring Ø14 H1                          | -   | 1   |
| 15.2       | AQ0004610     | OR 12.42x1.78 NBR 70 SH                     | -   | 1   |
| 15.3       | AS0013048     | Rod Ø17.9 H42.4                             | G   | 1   |
| 15.4       | AS0013050     | Junction M32x1 M22x1 H23                    | G   | 1   |
| 15.5       | AQ0010597     | OR 28.3x1.78 NBR 70 SH                      | -   | 1   |
| 15.6       | AQ0014857     | Diverter cartridge 3 outlets 180°           | -   | 1   |
| 15.7       | CP13047XXN 1  | Preassembled diverter three ways            | -   | 1   |
| 15.7.1     | AS0013047     | Insert 47x47x32                             | G   | 1   |
| 15.7.2     | AQ0015686     | Rubber Ø32 H4                               | -   | 1   |
| 15.7.3     | AQ0008026     | OR 33.05x1.78 NBR 70 SH                     | -   | 1   |
| 15.7.4     | AQ0012206     | Inox screw M3x10                            | -   | 1   |
| 16         | AC0013053     | Hand shower's support Ø30 L94.8             | F   | 1   |
| 17         | AQ0014670     | Grubscrew M5x6 cone point                   | -   | 1   |
| 18         | AQ0004180     | OR 9.25x1.78 NBR 70 SH                      | -   | 2   |
| 19         | AS0018164     | Bayonet coupling G1/2" M H62.5              | G   | 1   |
| 20         | AQ0004640     | OR 18.77x1.78 NBR 70 SH                     | -   | 1   |
| 21         | AQ0001340     | OR 8.73x1.78 NBR 70 SH                      | -   | 1   |
| 22         | AC0013052     | Reduction G1/2" M M12x1 M H20.5             | F   | 1   |
| 23         | AQ0013247     | Flow reduction+CV Ø15 4L                    | -   | 1   |
| 24         | AQ0018056     | Flex snapon G1/2" F L150cm Silver           | F   | 2   |
| 25         | AQ0013557     | Onair hand shower                           | F   | 1   |





WE ARE IB

### **WARRANTY**

All IB Rubinetterie SpA products are warranted for 10 years from the date of purchase, for the following cases:

- Defects of casting, porosity and chrome plating.
- Operating defects caused by incorrect fabrication.

The warranty provides for repair or replacement of products with fabrication defects recognized by our technical office. There is no other type of compensation anche the merchandise must be returned FOB our warehouse. The warranty only cover surface defects (scartches, dings, etc.) on fitting that have not been installed and used, returned in its original packaging with all components. O-ring, gasket seals and components subject to wear proportional to use are warranted for 2 years.

#### **The warranty is void in the following cases:**

Error installing and putting the product into service.

Deterioration of finished surfaces due to use of cleaning products containing acids or abrasive substances.

Deterioration of surface with finishes other than chrome plating. Their durability is, in fact, dependent on the user's care and gentleness of use.

Deterioration of the fitting due incorrect installation.

Improper repairs and maintenance performed without the company's prior authorization.

The warranty from IB Rubinetterie SpA is not renewable.

#### **Cleaning**

We recommended cleaning the finish surfaces with water and soap, using a soft cloth.

Do not use detergents that cointain hydrochloric acid or abrasive substances.